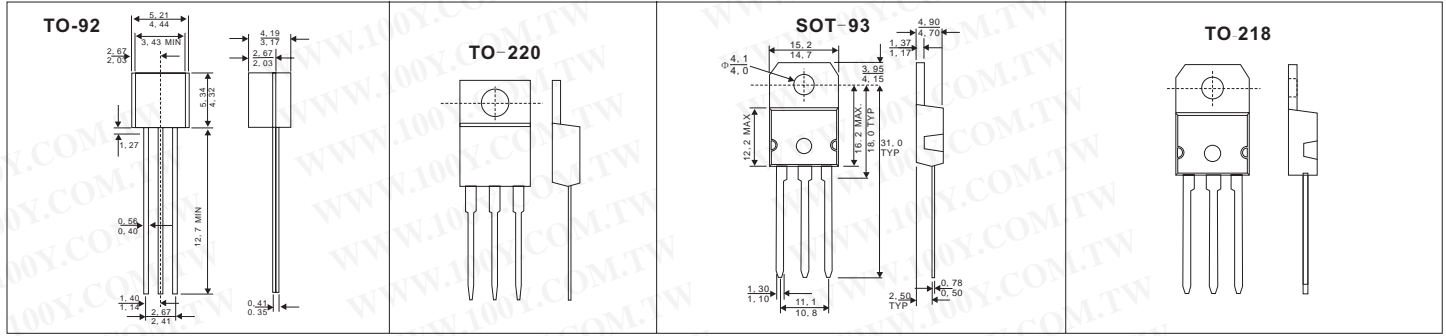


# Semiconductors-Discretes

## TIP~Series Transistors

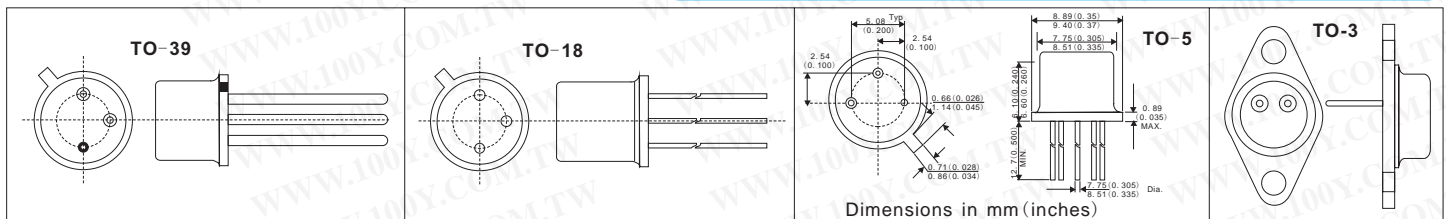
Detailed product specifications are available on: [us.100y.com.tw](http://us.100y.com.tw)



Part No.	Product No.	Manufacturer	Description	Pol	Ic(max)	Pc(max)	Vceo(max)	hfe(min.-max.)	Pins/Package
5719	TIP35C	ST(SGS)	Complementary Silicon High-Power Transistors	NPN	25A	125W	100V	10-50	3P/TO-218
33517	TIP36C	POWER INT.	PNP silicon power transistors	PNP	25A	125W	100V	10-50	3P/SOT-93
5720	TIP36C	ST(SGS)	Complementary silicon High-Power Transistors	PNP	25A	125W	100V	10-50	3P/TO-218
33518	TIP41C	POWER INT.	NPN silicon power transistors	NPN	6A	65W	100V	15-75	3P/TO-220
3708	TIP41C	ST(SGS)	Complementary Silicone Plastic Power Transistors	NPN	6A	65W	100V	15-75	3P/TO-220
33589	TIP42A	POWER INT.	PNP silicon power transistors	PNP	6A	65W	60V	15-75	3P/TO-220
22848	TIP42C	Fairchild	Medium Power Linear Switching Applications	PNP	-6A	65W	-100V	30-75	3P/TO-220
33519	TIP42C	POWER INT.	PNP silicon power transistors	PNP	6A	65W	100V	15-75	3P/TO-220
3709	TIP42C	ST(SGS)	PNP Epitaxial Silicon Transistor	PNP	-6A	65W	-100V	15-75	3P/TO-220
5892	TIP47	MOSPEC	High Voltage NPN Silicon Power Transistors	NPN	1A	40W	250V	30-150	3P/TO-220
48905	TIP50	MOSPEC	High Voltage NPN Silicon Power Transistor	NPN	2A	40W	400V	10-30	3P/TO-220
23568	TIP50	Fairchild	High Voltage and Switching Applications	NPN	1A	40W	400	30-150	3P/TO-220
33506	TIPL760A	POWER INT.	NPN silicon power transistors	NPN	4A		450V	20-60	3P/TO-220
33504	TIPL760B	POWER INT.	NPN silicon power transistors	NPN	4A		500V	20-60	3P/TO-220
33503	TIPL762	POWER INT.	NPN silicon power transistors	NPN	6A		400V	20-60	3P/SOT-93
33501	TIPL770	POWER INT.	NPN silicon power transistor	NPN	2.5A		400V	20-60	3P/TO-220
33500	TIPP110	POWER INT.	NPN silicon power darlington	NPN	2A		60V	1000	TO-92
33499	TIPP111	POWER INT.	NPN silicon power darlington	NPN	2A		80V	1000	TO-92
33497	TIPP112	POWER INT.	NPN silicon power darlington	NPN	2A		100V	1000	TO-92
33496	TIPP115	POWER INT.	PNP silicon power darlington	PNP	2A		60V	1000	TO-92
33493	TIPP31C	POWER INT.	PNP silicon power transistors	NPN	2A		100V	20	TO-92
33454	TIPP32C	POWER INT.	PNP silicon power transistors	PNP	2A		100V	20	TO-92

## 2N~Series Transistors

Detailed product specifications are available on: [us.100y.com.tw](http://us.100y.com.tw)



Part No.	Product No.	Manufacturer	Description	Pol	Ic(max)	Pc(max)	Vceo(max)	hfe(min.-max.)	Pins/Package
43096	2N1482	Micro-semi	NPN silicon medium power transistor	NPN	1.5A	1W	55V	35-100	TO-5
43809	2N1711	ST(SGS)	Epitaxial planar npn	NPN	500mA	3W	50V	20-300	TO-39
13301	2N1893	ST(SGS)	General purpose high voltage type	N	0.5A	0.8W	80V	20-120	3P/TO-39
43101	2N2218	ST(SGS)	High-speed switches	NPN	0.8A	3W	30V	20-120	TO-39
43031	2N2219	ST(SGS)	High-speed switch	NPN	0.8A	3W	30V	30-300	TO-39
3717	2N2219A	PHILIPS	High speed switch	N	0.8A	0.8W	40V	100-300	3P/TO-39
22154	2N2222		Switching transistor	NPN	0.8A	500mW	30V	30-300	3P/TO-18
4329	2N2222A	ST(SGS)	Switching transistor	NPN	0.8A	500mW	40V	100-300	3P/TO-18
5775	2N2369	PHILIPS	Switching transistor	N	500mA	360mW	15V	40-120	3P/TO-18
43098	2N2484	ST(SGS)	Transistor, NPN, silicon, low-power	NPN	50mA		60V		TO-18
6529	2N2646A		PNP silicon unijunction transistors	P	50mA	300mW	30V		3P/TO-18
24078	2N2647A		PN Unijunction Transistor	PNP	2A	300mW	3.5V		
43727	2N2904	MICRO-CHIP	PNP switching silicon transistor	PNP	600mA	3W	40V	20-400	TO-39
17957	2N2905		General purpose switching	P	-600mA	600mW	-60V	100-300	3P/TO-18
5808	2N2905A		General purpose switching	P	-600mA	600mW	-60V	100-300	3P/TO-39
22156	2N2906A		PNP switching transistor	PNP	-0.6A	0.4W	-60V	40-120	3P-TO-18
42898	2N2907	ST(SGS)	General purpose amplifiers and switches	PNP	-0.6A	1.8W	-40V	35-300	TO-18
16577	2N2907A	MOTOROLA	PNP switching transistor	PNP	600mA	0.4W	60V	100-300	3P/TO-18

