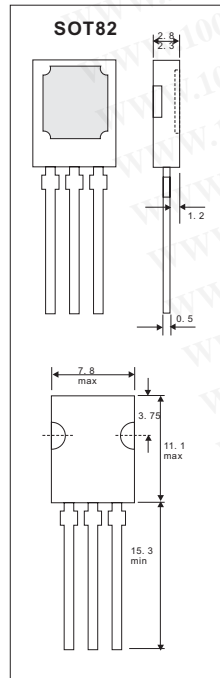
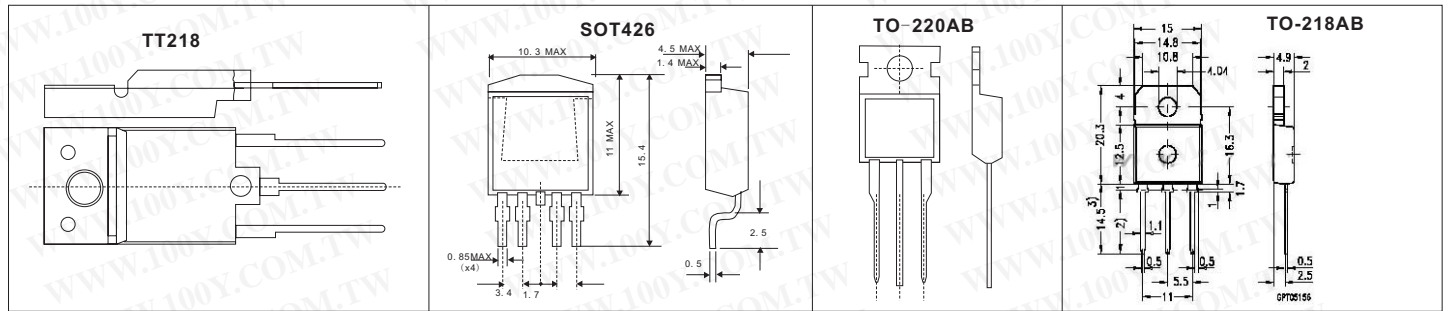
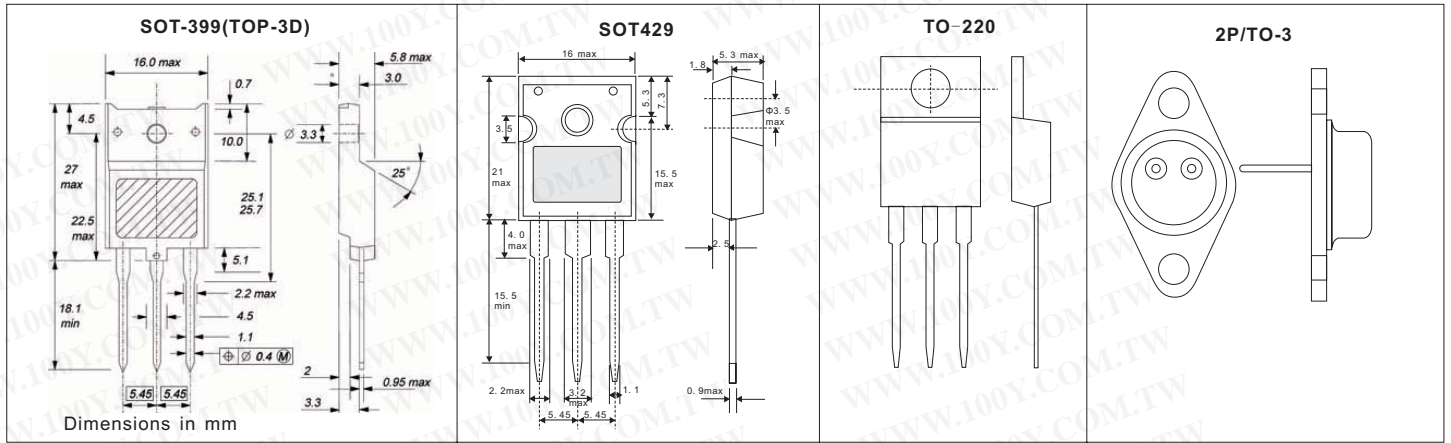


Semiconductors-Discretes

BU~Series Transistors

Detailed product specifications are available on: us.100y.com.tw



Part No.	Product No.	Manufacturer	Description	Marking	Pol	Ic(max)	Pc(max)	Vceo(max)	hfe(min.-max.)	Pins/Package
29190	BU2508AX	PHILIPS	Silicon Diffused Power Transistor		P	8A	45W	700V	4.0~7.0	SOT-399(TOP-3D)
29188	BU2525AW	PHILIPS	Silicon Diffused Power Transistor			12A		800V	5~9.5	TO-3P
6526	BU406	MOSPEC	CRT Deflection Transistor		NPN	5A	60W	200V	5V	3P/TO-220
37595	BU406	Fairchild	NPN Epitaxial Silicon Transistor		NPN	5A	60W	200V	5V	3P/TO-220
6106	BU407	MOSPEC	High voltage horiz. Def.		NPN	7A	60W	150V	5V	3P/TO-220
22504	BU408		High Volt. Switching		NPN	7A	60W	200V		TO-220
29224	BU931	ST(SGS)	High Voltage Ignition Coil Driver NPN Power Darlington		NPN	15A	175W	400V		2P/TO-3
41993	BUH515D	ST(SGS)	High voltage fast-switching npn power transistor	ISOWATT218		8A		700V	5-10	TT218
29165	BUK100-50GL	PHILIPS	PowerMOS transistor							TO-220-3L
29167	BUK102-50GS	PHILIPS	PowerMOS transistor							TO-220-3L
29168	BUK104-50S	PHILIPS	PowerMOS transistor							TO-220-3L
29169	BUK106-50L	PHILIPS	PowerMOS transistor							TO-220-3L
29172	BUK112-50GL	PHILIPS	PowerMOS transistor							TO-263-5L
29174	BUK114-50L	PHILIPS	Logic level TOPFET SMD version of BUK104-50L							TO-263-5L
29153	BUK203-50X	PHILIPS	PowerMOS transistor							TO-220/263-5L
29163	BUK205-50Y	PHILIPS	TOPFET high side switch							TO-220/263-5L
39915	BUK555-200A	PHILIPS	PowerMOS transistor Logic level FET							TO-220AB
29114	BUP305D	SIEMENS	IGBT With Antiparallel Diode			12A		1200V		TO-218AB
29110	BUP306D	SIEMENS	IGBT With Antiparallel Diode							TO-218AB
49211	BUV51	ST(SGS)	Fast Switch Transistor		NPN	20A	150W	200V		2P TO3
40879	BUX48A	ST(SGS)	NPN High Power Transistors		NPN	15A		450V		TO-3
39046	BUX48A	MOTOROLA	NPN Silicon Power Transistors		NPN	15A		450V		TO-3
39381	BUX84	PHILIPS	Silicon Diffused Power Transistor		P	2A	40W	400V	20~50	TO-220AB
13744	BUX84	MOSPEC	Switchmode series npn power transistors		NPN	2A	40W	400V	30(TYP.)	3P/TO-220
14790	BUX84A	MOSPEC	Switchmode series npn power transistors		NPN	15A	40W	450V	30(TYP.)	2P/TO-3
6107	BUX86P		For Motor control system		NPN	0.5A	20W	400V	50(TYP.)	3P/SOT-82
28505	BUX87	SIEMENS	NPN SILICON HIGH Voltage Switching Transistor		NPN	0.5A		450V		3P/TO-126

