

# Semiconductors-Discretes

## DACO\_SMD Zener Diodes

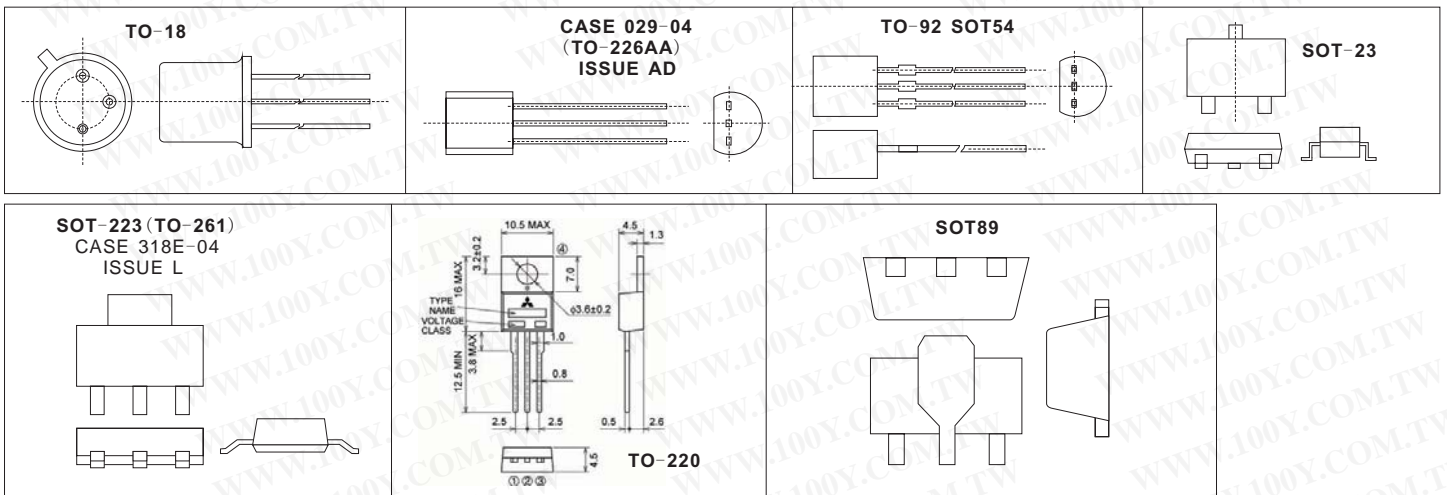
Detailed product specifications are available on: [us.100y.com.tw](http://us.100y.com.tw)

Part No.	Product No.	Manufacturer	Description	Vz	Izt/mA	Pd max/W	Package
25276	ZMM55D2V7	DACO	DACO_0.5W ZENER RECTIFIER	2.1~3.3	5mA	0.5W	DO-213AA
25303	ZMM55D30	DACO	DACO_0.5W ZENER RECTIFIER	24.0~36.0	5mA	0.5W	DO-213AA
25304	ZMM55D33	DACO	DACO_0.5W ZENER RECTIFIER	26.4~39.6	5mA	0.5W	DO-213AA
25305	ZMM55D36	DACO	DACO_0.5W ZENER RECTIFIER	28.8~43.2	5mA	0.5W	DO-213AA
25306	ZMM55D39	DACO	DACO_0.5W ZENER RECTIFIER	31.2~46.8	2.5mA	0.5W	DO-213AA
25277	ZMM55D3V0	DACO	DACO_0.5W ZENER RECTIFIER	2.4~3.6	5mA	0.5W	DO-213AA
25278	ZMM55D3V3	DACO	DACO_0.5W ZENER RECTIFIER	2.6~4.0	5mA	0.5W	DO-213AA
25279	ZMM55D3V6	DACO	DACO_0.5W ZENER RECTIFIER	2.8~4.3	5mA	0.5W	DO-213AA
25281	ZMM55D3V9	DACO	DACO_0.5W ZENER RECTIFIER	3.1~4.7	5mA	0.5W	DO-213AA
25307	ZMM55D43	DACO	DACO_0.5W ZENER RECTIFIER	34.4~51.6	2.5mA	0.5W	DO-213AA
25308	ZMM55D47	DACO	DACO_0.5W ZENER RECTIFIER	37.6~56.4	2.5mA	0.5W	DO-213AA
25282	ZMM55D4V3	DACO	DACO_0.5W ZENER RECTIFIER	3.4~4.1	5mA	0.5W	DO-213AA
25283	ZMM55D4V7	DACO	DACO_0.5W ZENER RECTIFIER	3.7~5.7	5mA	0.5W	DO-213AA
25284	ZMM55D5V1	DACO	DACO_0.5W ZENER RECTIFIER	4.0~6.1	5mA	0.5W	DO-213AA
25285	ZMM55D5V6	DACO	DACO_0.5W ZENER RECTIFIER	4.4~6.7	5mA	0.5W	DO-213AA
25286	ZMM55D6V2	DACO	DACO_0.5W ZENER RECTIFIER	4.9~7.5	5mA	0.5W	DO-213AA
25287	ZMM55D6V8	DACO	DACO_0.5W ZENER RECTIFIER	5.4~8.2	5mA	0.5W	DO-213AA
25288	ZMM55D7V5	DACO	DACO_0.5W ZENER RECTIFIER	6.0~9.0	5mA	0.5W	DO-213AA
25289	ZMM55D8V2	DACO	DACO_0.5W ZENER RECTIFIER	6.5~9.9	5mA	0.5W	DO-213AA
25290	ZMM55D9V1	DACO	DACO_0.5W ZENER RECTIFIER	7.2~10.9	5mA	0.5W	DO-213AA

## Transistors

### BC~Series Transistors

Detailed product specifications are available on: [us.100y.com.tw](http://us.100y.com.tw)



Part No.	Product No.	Manufacturer	Description	Pol	Ic(max)	Pc(max)	Vceo(max)	hfe(min.-max.)	Pins/Package
22351	BC107	ST(SGS)	LOW NOISE GENERAL PURPOSE AUDIO AMPLIFIERS	NPN	1A	3W	50V	110-450	3P/TO-18
41034	BC182	MOTOROLA	Amplifier Transistors NPN Silicon	NPN	100mA	1W	50V	40-500	TO-92 (TO-226AA)
32410	BC237B	ON-Semi.	Amplifier Transistor	NPN	100mA		45V	200-460	TO-92
23319	BC261B	ST(SGS)	AF MEDIUM POWER	PNP	0.1A	0.3W	45V	180-460	3P/TO-18
32411	BC307B	ON-Semi.	Amplifier Transistor	PNP	-100mA		-45V		TO-92
6120	BC327-25	SAMSUNG	PNP general purpose transistor	PNP	0.5A	0.8W	45V	160-400	3P/TO-92
17618	BC327-40	PHILIPS	PNP general purpose transistor	P	0.5A	0.8W	45V	250-600	3P/TO-92
32412	BC337-25	Fairchild	NPN General Purpose Amplifier	NPN	1A		45V	160-400	TO-92
6118	BC337-25	PHILIPS	NPN Epitaxial Silicon Transistor	NPN	0.5A	0.8W	45V	160-400	3P/TO-92
5788	BC546	Fairchild	SWITCHING AND AMPLIFIER	N	100mA	625mW	65V	125-500	3P/TO-92
32416	BC546B	ON-Semi.	Amplifier Transistor	NPN	0.1A		65V	200-450	TO-92
42710	BC547B	PHILIPS	SWITCHING AND AMPLIFIER	N	100mA			220-450	3P/TO-92
5789	BC547B	Fairchild	SWITCHING AND AMPLIFIER	N	100mA	625mW	45V	200-450	3P/TO-92
20062	BC547C	Fairchild	NPN General Purpose Amplifier	N	500mA	625mW	45V	420-800	3P/TO-92
31673	BC548	KEC	SWITCHING AND AMPLIFIER	NPN	100mA	625mW	30V	110-800	3P/TO-92
5793	BC548	Fairchild	SWITCHING AND AMPLIFIER	NPN	100mA	625mW	30V	110-800	3P/TO-92
32424	BC556B	ON-Semi.	Amplifier Transistor	PNP	-100mA		-65V		TO-92
28673	BC557B	PHILIPS	SWITCHING AND AMPLIFIER	P	-200mA	500mW	-45V	220-475	3P/TO-92
22484	BC558C	PHILIPS	PNP Epitaxial Silicon Transistor	PNP	-100mA	500mW	-30V	110-800	3P/TO-92
22485	BC635	PHILIPS	NPN Epitaxial Silicon Transistor	NPN	1A	1W	45V	40-250	3P/TO-92
5795	BC640	PHILIPS	SWITCHING AND AMPLIFIER APPLICATIONS	P	500mA	1W	60V	40-160	3P/TO-92

