

Resistors & Potentiometers

Carbon Potentiometers

Detailed product specifications are available on: us.100y.com.tw



Features

- 24mm diameter, single-turn industrial panel controls
- Carbon film element
- Linear or audio tapers
- Single, tandem and triple units, single shaft; dual unit, dual shaft
- SPST or SPDT switch with 1A or 3A rating
- Shaft lock and center tap models
- Metal shaft and bushing
- Panel mount only
- Right angle ear-lug terminals
- 6mm diameter shafts in slot, flat or round end styles
- Standard 15mm or 20mm shaft length

RV24YG

RV24YN



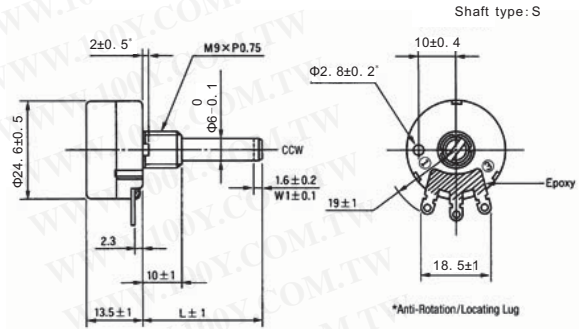
Specifications

Electrical	
Standard Resistance Range	B = 50Ω to 2MΩ A, C = 1kΩ to 2MΩ
Resistance Tolerance	±10% standard
End Resistance	3Ω max
Resistance Taper	B = linear; A = CW audio (logarithm); C = CCW audio (logarithm)
Peak Noise (C.R.V.)	3% or 3Ω, whichever is greater
Power Rating	B = 0.25 watt; A, C = 0.125 watt at +40°C, 0 watt at +85°C
Maximum Input Voltage	B = 315VDC; A, C = 200VDC or power rating, whichever is smaller
Insulation Resistance	100MΩ minimum at 1,000VDC
Dielectric Strength	1,000VAC, 1 minute
Adjustment Travel	280°C ±10°

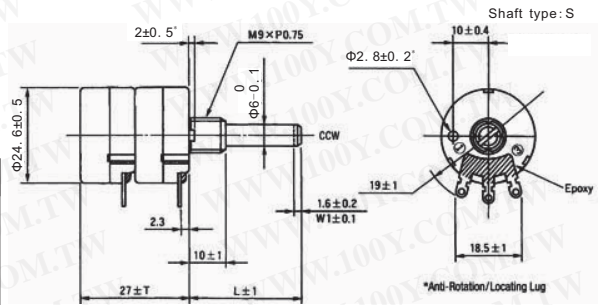
Mechanical	
Mechanical Travel	300° ±5°
Shaft Torque	Single Unit: 51 to 306 gf·cm (0.707 to 4.242 oz·in) Other Units: 51 to 510 gf·cm (0.707 to 7.070 oz·in)
Stop Strength	9.18 kgf·cm (127.26 oz·in) max.
Mounting Nut Torque	15 kgf·cm (207.94 oz·in) max.
Solderability	235°C, 5 seconds
Marking	Model type, taper, resistance code, shaft type, terminal identification, date code

Environmental	
Temperature Range	-10°C to +85°C
Temperature Characteristics	+85°C, 30 minutes without load R < 100kΩ → ΔT/R ≤ ±6% 10kΩ < R < 1MΩ → ΔT/R ≤ ±10% R ≥ 1MΩ → ΔT/R ≤ ±15%
Load Life	+40°C, 1,000 hours with rated load ΔT/R ≤ ±10%
Moisture and Load Life	+40°C, 90-95%RH, 500 hours with rated load R < 100kΩ → ΔT/R ≤ -10% ~ +15% R ≥ 100kΩ → ΔT/R ≤ -10% ~ +20%
Thermal Shock	-10°C ~ +85°C, 5 cycles without load ΔT/R ≤ ±10%
Vibration	10-55Hz, 1.5mm amplitude, 3 directions, 2 hours each ΔT/R ≤ ±2.5%
Soldering Heat Resistance	350°C, 3 seconds ΔT/R ≤ ±2%
Rotational Life	15,000 cycles (500 cycles for shaft lock models only) without load ΔT/R ≤ ±7%

RV24YN
Panel Mount, Single Unit, Single Shaft, Right Angle Ear-Lug Terminals RV24YNHT High Torque, RVB24YN Low Torque, and RV24YS Panel Seal Models available as Special Order.



RV24YG
Panel Mount, Ganged/Tandem Unit, Single Shaft Right Angle Ear-Lug Terminals on Each Unit



Standard Rotary Switches	
Switch Rating	110VAC, 1A or 3A, SPDT or SPST
Contact Resistance	0.05Ω max.
Operating Torque	1,530 gf·cm (21.21 oz·in) max.
Operating Life	10,000 cycles without load

R = Total Resistance Value; ΔT/R = Total Resistance Change

Part No.	Product No.	Manufacturer	Description	Power rating (W)	Resistance data(Ω)
23137	RV24YG20S15A103*2	TOCOS	Carbon Composition Potentiometers		10KΩ
23135	RV24YG20S15A104*2	TOCOS	Carbon Composition Potentiometers		100KΩ
23136	RV24YG20S15A503*2	TOCOS	Carbon Composition Potentiometers		50KΩ
5452	RV24YN20S-B101	TOCOS	Carbon Composition Potentiometers	1/2W	100 ohm
5455	RV24YN20S-B102	TOCOS	Carbon Composition Potentiometers	1/2W	1K ohm
5481	RV24YN20S-B103	TOCOS	Carbon Composition Potentiometers	1/2W	10K ohm
5486	RV24YN20S-B104	TOCOS	Carbon Composition Potentiometers	1/2W	100K ohm
2533	RV24YN20S-B105	TOCOS	Carbon Potentiometer	1/2W	1M OHM
5454	RV24YN20S-B201	TOCOS	Carbon Composition Potentiometers	1/2W	200 ohm
5456	RV24YN20S-B202	TOCOS	Carbon Composition Potentiometers	1/2W	2K ohm
5483	RV24YN20S-B203	TOCOS	Carbon Potentiometers	1/2W	20K ohm
5453	RV24YN20S-B501	TOCOS	Carbon Composition Potentiometers	1/2W	500 ohm
5480	RV24YN20S-B502	TOCOS	Carbon Composition Potentiometers	1/2W	5K ohm
5484	RV24YN20S-B503	TOCOS	Carbon Composition Potentiometers	1/2W	50K ohm
5487	RV24YN20S-B504	TOCOS	Carbon Potentiometer	1/2W	500K ohm, 1/2W



T E L : Taiwan : 886-3-5753170
F A X : Taiwan : 886-3-5753172
E-mail : Taiwan : us_sale@100y.com.tw

Shenzhen : 86-755-83298787
Shenzhen : 86-755-83640655
Shenzhen : 100y@163.com

Shanghai : 86-21-54151736
Shanghai : 86-21-64605107
Shanghai : 100y-1@163.com