

Resistors & Potentiometers

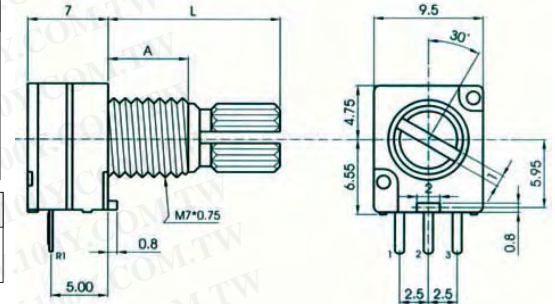
Carbon Potentiometers

Detailed product specifications are available on: us.100y.com.tw



MECHANICAL CHARACTERISTICS	
Total rotational angle	300° ± 10°
Rotational torque	10~200gf. cm
Rotation stopper strength	Outer shaft 4Kgf. cm Inner shaft 3Kgf. cm
Push pull strength	Push 4 kgf/pull 3kgf

DURABILITY	
Rotational life	10, 000 cycles



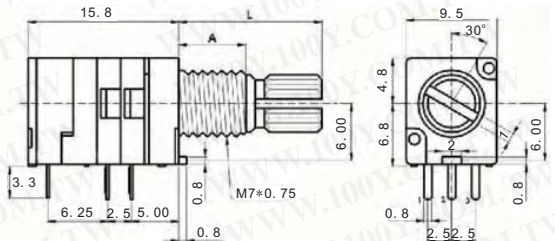
ELECTRICAL CHARACTERISTICS	
Total resistance	10KΩ~500KΩ
Total resistance tolerance	±20%
Rated power	Curve B: 0.05W other curve B: 0.025W
Max. operating voltage	Curve B: 50VAC other curve B: 25VAC
Resistance taper	A, B, C
Residual resistance	R ≥ 250KΩ 0.1% max. of total resistance 250KΩ > R > 10KΩ 20Ω max. 10KΩ ≥ R 10Ω max.
Insulation resistance	More than 100MΩ at DC 250V
Gang error	-40dB to 0dB 3dB max.
Slide noise	Less than 100mV

Part No.	Product No.	Manufacturer	Description	Power rating (W)	Resistance data(Ω)	Tolerance(±)
29318	RD915N-2A1-B102-0H03	HT	RD91 METAL SHAFT ROTARY CARBON POTENTIOMETERS	0.033W	1KΩ	±20%
37896	RD915N-2A1-B104-0H03	HT	RD91 METAL SHAFT ROTARY CARBON POTENTIOMETERS	0.033W	100KΩ	±20%
40201	RD915N-2A1-B203-0H03	HT	RD91 METAL SHAFT ROTARY CARBON POTENTIOMETERS	0.033W	20KΩ	±20%
40700	RD915N-2A1-B204-0H03		RD91 METAL SHAFT ROTARY CARBON POTENTIOMETERS	0.033W	200KΩ	±20%
37891	RD915N-2A1-B502-0H03	HT	RD91 METAL SHAFT ROTARY CARBON POTENTIOMETERS	0.033W	5KΩ	±20%
37893	RD915N-2A1-B503-0H03	HT	RD91 METAL SHAFT ROTARY CARBON POTENTIOMETERS	0.033W	50KΩ	±20%



MECHANICAL CHARACTERISTICS	
Total rotational angle	300° ± 10°
Rotational torque	10~200gf. cm
Rotation stopper strength	Outer shaft 4Kgf. cm Inner shaft 3Kgf. cm
Push pull strength	Push 4 kgf/pull 3kgf

DURABILITY	
Rotational life	10, 000 cycles



ELECTRICAL CHARACTERISTICS	
Total resistance	10KΩ~500KΩ
Total resistance tolerance	±20%
Rated power	Curve B: 0.05W other curve B: 0.025W
Max. operating voltage	Curve B: 50VAC other curve B: 25VAC
Resistance taper	A, B, C
Residual resistance	R ≥ 250KΩ 0.1% max. of total resistance 250KΩ > R > 10KΩ 20Ω max. 10KΩ ≥ R 10Ω max.
Insulation resistance	More than 100MΩ at DC 250V
Gang error	-40dB to 0dB 3dB max.
Slide noise	Less than 100mV

Part No.	Product No.	Manufacturer
29322	RD925S-2A1-B102	HT

• If you cannot find the components you want on the catalogue, please call us.



Taiwan: 886-3-5753170

Shanghai: 021-54151736 Shenzhen: 0755-83298787

Centenary Materials

Waiting for your phone call



T E L : Taiwan: 886-3-5753170
F A X : Taiwan: 886-3-5753172
E-mail : Taiwan: us_sale@100y.com.tw

Shenzhen: 86-755-83298787
Shenzhen: 86-755-83640655
Shenzhen: 100y@163.com

Shanghai: 86-21-54151736
Shanghai: 86-21-64605107
Shanghai: 100y-1@163.com