

Resistors & Potentiometers

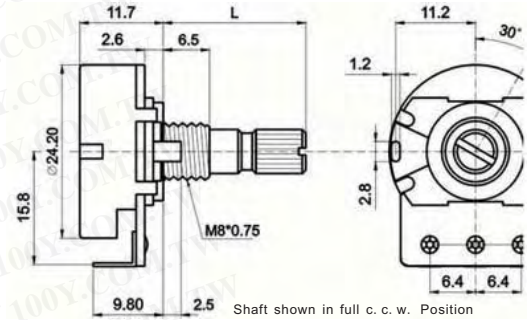
Carbon Potentiometers

Detailed product specifications are available on: us.100y.com.tw



MECHANICAL CHARACTERISTICS	
Total rotational angle	300° ± 5°
Rotational torque	2~20mN. m (20~200gf. cm)
Rotation stopper strength	0.7 N. m (7kgf. cm)
Switch working angle	30°±10°

DURABILITY	
Rotational life	10,000 cycles

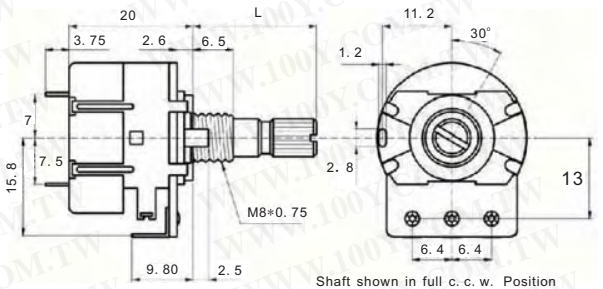


Part No.	Product No.	Manufacturer	Description	Power rating (W)	Resistance data(Ω)	Tolerance(±)
5460	R2410N-7B1-B101		Welding Carbon Potentiometer	1/2W	100Ω	±20%
4534	R2410N-7B1-B102		Welding Carbon Potentiometer	1/2W	1KΩ	±20%
32642	R2410N-7B1-B103	HT	Welding Carbon Potentiometer	1/2W	10KΩ	±20%
5466	R2410N-7B1-B104		Welding Carbon Potentiometer	1/2W	100KΩ	±20%
5469	R2410N-7B1-B105		Welding Carbon Potentiometer	1/2W	1MΩ	±20%
5470	R2410N-7B1-B106		Welding Carbon Potentiometer	1/2W	10MΩ	±20%
4792	R2410N-7B1-B201		Welding Carbon Potentiometer	1/2W	200Ω	±20%
5462	R2410N-7B1-B202		Welding Carbon Potentiometer	1/2W	2KΩ	±20%
5464	R2410N-7B1-B203		Welding Carbon Potentiometer	1/2W	20KΩ	±20%
5465	R2410N-7B1-B204		Welding Carbon Potentiometer	1/2W	200KΩ	±20%
5461	R2410N-7B1-B501		Welding Carbon Potentiometer	1/2W	500Ω	±20%
32750	R2410N-7B1-B502	HT	Welding Carbon Potentiometer	1/2W	50K ohm	±20%
32746	R2410N-7B1-B503	HT	Welding Carbon Potentiometer	1/2W	50K ohm	±20%



MECHANICAL CHARACTERISTICS	
Total rotational angle	300° ± 5°
Rotational torque	2~20mN. m (20~200gf. cm)
Rotation stopper strength	0.7 N. m (7kgf. cm)
Switch working angle	30°±10°

DURABILITY	
Rotational life	10,000 cycles



ELECTRICAL CHARACTERISTICS	
Total resistance	10KΩ~1MΩ
Total resistance tolerance	±20% (more than 1MΩ ±30%)
Rated power	Curve B: 0.5W other than B: 0.25W
Max. operating voltage	Curve B: 500V other than B: 250V
Resistance taper	A, B
Residual resistance	R≥250KΩ 0.1% max. of total resistance 250KΩ>R>10KΩ 20Ω max. 10KΩ≥R 10Ωmax.
Insulation resistance	More than 100MΩ at DC500V
Withstand voltage	1 minute at AC 500V
Switch contact resistance	Less than 30MΩ

Part No.	Product No.	Manufacturer	Description	Power rating (W)	Resistance data(Ω)	Tolerance(±)
18619	R2410S-2B1-B101		Carbon Potentiometer With Switch	0.5W(MAX)	100Ω	20%
29333	R2410S-2B1-B102	HT	Carbon Potentiometer With Switch	0.5W(MAX)	100KΩ	20%
32083	R2410S-2B1-B103	HT	Carbon Potentiometer With Switch	0.5W(MAX)	10KΩ	20%
32082	R2410S-2B1-B104	HT	Carbon Potentiometer With Switch	0.5W(MAX)	100KΩ	20%
18621	R2410S-2B1-B105		Carbon Potentiometer With Switch	0.5W(MAX)	1MΩ	20%
38095	R2410S-2B1-B202	HT	Carbon Potentiometer With Switch	0.5W(MAX)	2KΩ	20%
32086	R2410S-2B1-B203	HT	Carbon Potentiometer With Switch	0.5W(MAX)	20KΩ	20%
32087	R2410S-2B1-B254	HT	Carbon Potentiometer With Switch	0.5W(MAX)	250KΩ	20%
32088	R2410S-2B1-B502	HT	Carbon Potentiometer With Switch	0.5W(MAX)	5KΩ	20%
38092	R2410S-2B1-B503	HT	Carbon Potentiometer With Switch	0.5W(MAX)	50KΩ	20%
15527	R2410S-2B1-B504		Carbon Potentiometer With Switch	0.5W(MAX)	500KΩ	20%

