

Resistors & Potentiometers

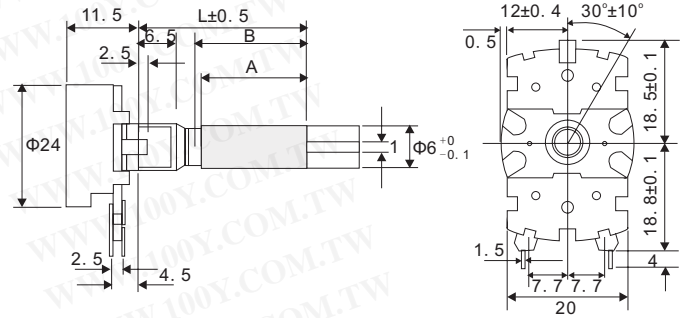
Carbon Potentiometers

Detailed product specifications are available on: us.100y.com.tw



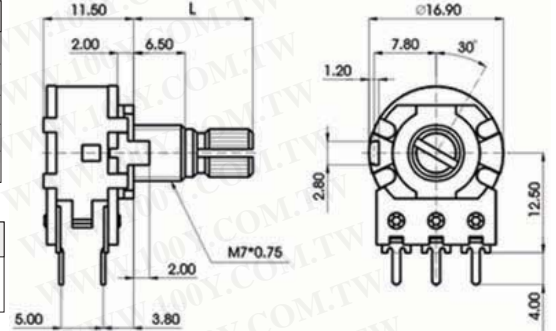
- Resistance tolerance: $\pm 20\%$
- Resistance taper: A. B. C. W.
- Power rating: 0.5W (MAX)
- Mechanical travel: $300^\circ \pm 10^\circ$
- Operating torque: 50~300g. cm

Part No.	Product No.	Description	Power rating (W)	Resistance data(Ω)
5467	B250K Ω -24 ϕ -1/2W	Welding Carbon Potentiometer	1/2W	250K ohm
5468	B500K Ω -24 ϕ -1/2W	Welding Carbon Potentiometer	1/2W	500K ohm



MECHANICAL CHARACTERISTICS	
Total rotational angle	300 $^\circ \pm 5^\circ$
Rotational torque	2~20mN. m (20~200gf. cm)
Rotation stopper strength	0.7 N. m (7kgf. cm)
Push pull strength	70N (7kgf)
Click position	Center, 11/21/31/41 detent

DURABILITY	
Rotational life	15,000 cycles



ELECTRICAL CHARACTERISTICS	
Total resistance	5K Ω ~2M Ω
Total resistance tolerance	$\pm 20^\circ$ (more than 1M $\Omega \pm 30\%$)
Rated power	Curve B: 0.125W other than B: 0.06W
Max. operating voltage	Curve B: 200V other than B: 150V
Resistance taper	A, B, C, D
Residual resistance	R $\geq 250K\Omega$ 0.1% max. of total resistance 250K Ω >R>10K Ω 20 Ω max. 10K Ω \geq R 10 Ω max.
Insulation resistance	More than 100M Ω at DC500V
Gang error	-40~0 dB \leq 3dB (Specialy: -60~0 dB \leq 1.5dB)

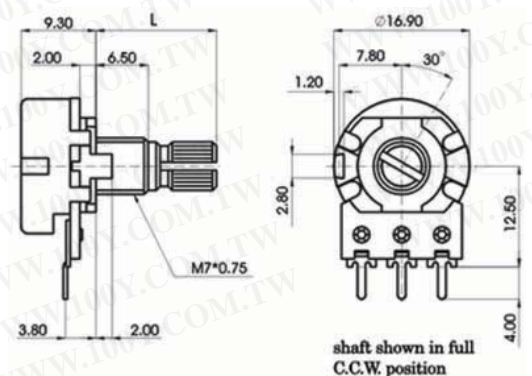


Part No.	Product No.	Manufacturer	Description	Power rating (W)	Resistance data(Ω)	Tolerance(\pm)
32712	R1610G-8A1-B101-0H03	HT	Rotary Potentiometers	1/4W	100	$\pm 20\%$
32719	R1610G-8A1-B102-0H03	HT	Rotary Potentiometers	1/4W	1K	$\pm 20\%$
32724	R1610G-8A1-B103-0H03	HT	Rotary Potentiometers	1/4W	10K Ω	$\pm 20\%$
32728	R1610G-8A1-B104-0H03	HT	Rotary Potentiometers	1/4W	100K	$\pm 20\%$
32730	R1610G-8A1-B105-0H03	HT	Rotary Potentiometers	1/4W	1M	$\pm 20\%$
32714	R1610G-8A1-B201-0H03	HT	Rotary Potentiometers	1/4W	200	$\pm 20\%$
32721	R1610G-8A1-B202-0H03	HT	Rotary Potentiometers	1/4W	2K	$\pm 20\%$
32726	R1610G-8A1-B203-0H03	HT	Rotary Potentiometers	1/4W	20K Ω	$\pm 20\%$
29332	R1610G-8A1-B501-0H03		Rotary Potentiometers	1/4W	500	$\pm 20\%$
32723	R1610G-8A1-B502-0H03	HT	Rotary Potentiometers	1/4W	5K	$\pm 20\%$
32727	R1610G-8A1-B503-0H03	HT	Rotary Potentiometers	1/4W	50K	$\pm 20\%$
32729	R1610G-8A1-B504-0H03	HT	Rotary Potentiometers	1/4W	500K	$\pm 20\%$



MECHANICAL CHARACTERISTICS	
Total rotational angle	300 $^\circ \pm 5^\circ$
Rotational torque	2~20mN. m (20~200gf. cm)
Rotation stopper strength	0.7 N. m (7kgf. cm)
Push pull strength	70N (7kgf)
Click position	Center, 11/21/31/41 detent

DURABILITY	
Rotational life	15,000 cycles



T E L : Taiwan: 886-3-5753170
 F A X : Taiwan: 886-3-5753172
 E-mail : Taiwan: us_sale@100y.com.tw

Shenzhen: 86-755-83298787
 Shenzhen: 86-755-83640655
 Shenzhen: 100y@163.com

Shanghai: 86-21-54151736
 Shanghai: 86-21-64605107
 Shanghai: 100y-1@163.com