

# Resistors & Potentiometers

## Surface Mount - Trimmers

Detailed product specifications are available on: [us.100y.com.tw](http://us.100y.com.tw)

Part No.	Product No.	Manufacturer	Description	Resistance(Ω)	Tolerance(±)
36908	3224W-1-104E	Bourns	Bourns SMD 4mm 11Turns Multi-Turn Trimmer Potentiometer-Square Cermet Sealed	100K	±10%
36891	3224W-1-201E	Bourns	Bourns SMD 4mm 11Turns Multi-Turn Trimmer Potentiometer-Square Cermet Sealed	200	±10%
36897	3224W-1-202E	Bourns	Bourns SMD 4mm 11Turns Multi-Turn Trimmer Potentiometer-Square Cermet Sealed	2K	±10%
29207	3224W-1-203E	Bourns	Bourns SMD 4mm 11Turns Multi-Turn Trimmer Potentiometer-Square Cermet Sealed	10KΩ	+/-10%
39933	3224W-1-204E	Bourns	Bourns SMD 4mm 11Turns Multi-Turn Trimmer Potentiometer-Square Cermet Sealed	200K	±10%
36893	3224W-1-501E	Bourns	Bourns SMD 4mm 11Turns Multi-Turn Trimmer Potentiometer-Square Cermet Sealed	500	±10%
36899	3224W-1-502E	Bourns	Bourns SMD 4mm 11Turns Multi-Turn Trimmer Potentiometer-Square Cermet Sealed	5K	±10%
36907	3224W-1-503E	Bourns	Bourns SMD 4mm 11Turns Multi-Turn Trimmer Potentiometer-Square Cermet Sealed	50K	±10%

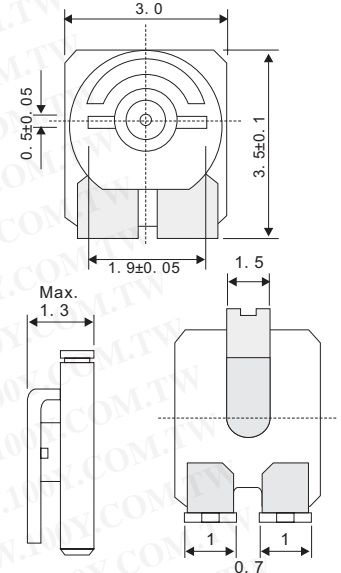


### MECHANICAL PERFORMANCE

ITEM	PERFORMANCE
TOTAL ANGLE OF ROTATION	220±20°
TOTATIONAL TORQUE	20~200gf.cm
SOLDERING HEAT RESISTANCE	260±5° 10±1 SEC

### ELECTRIC PERFORMANCE

ITEM	PERFORMANCE
RESISTANCE RANGE	100~1MΩ
RESISTANCE TOLERANCE	±25%
RESISTANCE TAPER	B (LINER)
RATED POWER	0.1W(AT 70°C)
WORKING TEMPERATURE RANGE.	-55 ~ +125°C
RESISTANCE TEMPERATURE COEFFICIENT	±250PPM/°C
MAXIMUM WORKING VOLTAGE	DC50V
ROTATIONAL LIFE	20 TURNS
RESISTANCE VARIABLE	UNDER ±15%



Part No.	Product No.	Manufacturer	Description	Resistance(Ω)	Tolerance(±)
9826	MVR-34-100KΩ		Metal Glazed Semifixed Variable Resistor	100Kohm	+/-25%
9767	MVR-34-100Ω		Metal Glazed Semifixed Variable Resistor	100 ohm	±25%
9823	MVR-34-10KΩ		Metal Glazed Semifixed Variable Resistor	10K ohm	±25%
9820	MVR-34-1KΩ		Metal Glazed Semifixed Variable Resistor	1K ohm	±25%
9821	MVR-34-2.2KΩ		Metal Glazed Semifixed Variable Resistor	2.2K ohm	±25%
9812	MVR-34-220Ω		Metal Glazed Semifixed Variable Resistor	220 ohm	±25%
9824	MVR-34-22KΩ		Metal Glazed Semifixed Variable Resistor	22Kohm	+/-25%
9814	MVR-34-470Ω		Metal Glazed Semifixed Variable Resistor	470 ohm	±25%
9822	MVR-34-5KΩ		Metal Glazed Semifixed Variable Resistor	5K ohm	±25%
9825	TMC3KJ-B47K_TR		Metal Glazed Semifixed Variable Resistor	47KΩ	+/-25%
40643	TMC3KJ-B500Ω	SONY	Metal Glazed Semifixed Variable Resistor	500 ohm	+/-25%



Item	4 mm	
Electrical Characteristics	Resistance Value & Tolerance	200Ω~2MΩ±30%
	Taper	B Curve
	Max Power Rating	0.2W
	Max Working Voltage	100V
	Sliding Noise	1 mV under
Mechanical Characteristics	Residual Resistance	1% Max
	Outline & Drawing	As drawings
	Rotation Angle	270°±20°
	Rotation Torque	20-200 gf-cm
Reliability Specification	Stopper Strength	0.5Kg fmin
	Operating Life	Resistance Value±10%
	Temperature Characteristics	2% 70°C 8HR
	Temperature Coefficient	±250 ppm/°C
	Humidity Characteristic	±5% @ 40°C 90-95% RH without Load
	Resistance to Soldering Heat	240°C 10 sec.
	Working Temperature	-30°C ~100°C
Temperature cycle	±2% @ 30 min per step 5 cycle	

