

# Resistors & Potentiometers

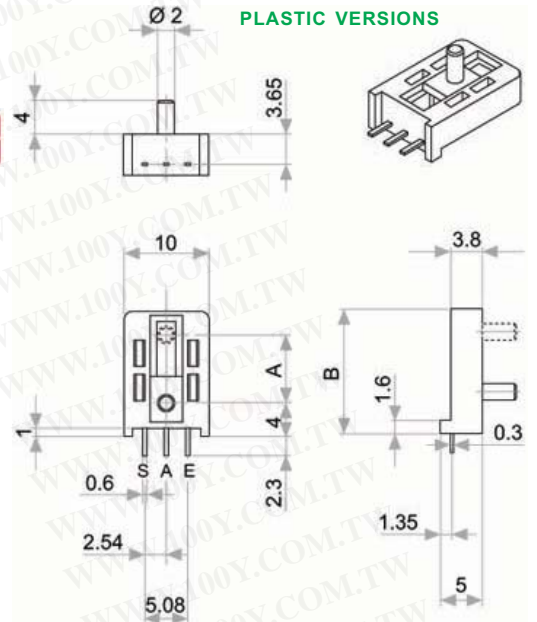
## Piher\_Single-Turn Potentiometer

Detailed product specifications are available on: [us.100y.com.tw](http://us.100y.com.tw)

Part No.	Product No.	Manufacturer	Description	Power rating (W)	Resistance data(Ω)	Tolerance(±)	Shaft Dia. (mm)
41602	N6L50TC-102	PIHER	Piher Carbon Potentiometer	0.1W	10kΩ	±30%	5.0mm*5
41604	N6L50TC-304	PIHER	Piher Carbon Potentiometer	0.1w	300kΩ	±30%	5mm*5
41606	N6S25TC-102	PIHER	Piher Carbon Potentiometer	0.1W	1kΩ	±30%	2.5mm*5
41608	N6S25T0N-222	PIHER	Piher Carbon Potentiometer	0.1w	22kΩ	±30%	2.5mm*5

### FEATURES

- High reliability
- Simple construction (only 3 component parts)
- Over-moulding manufacturing technique
- Plastic or metal clip versions available
- Various fixation means: clip type (inward/outward actuating), locating pins. ...



### TYPICAL APPLICATIONS

Provides a low cost, highly reliable solution for all position sensing applications:  
 -Automotive seat position memory, central locking, headlamp position and rear-view mirror position sensors.

### MECHANICAL SPECIFICATIONS

Mechanical travel:	-NPL07. . . . . 7.25mm -NPL08. . . . . 8mm -NPL11. . . . . 11mm -NPL12. . . . . 12mm
Electrical travel:	(See how to order)
Sliding force	≤2N @ 10mm/sec
Stop strenght:	30N for 5 secs

### ELECTRICAL SPECIFICATIONS

Range of values	1K to 100K ohms
Tolerance	±30%
Max. voltage*	50VDC to 100VDC
Power rating*	0.20W@ 50°C
Operating temperature	-40°C to +105°C
Taper**	Linear
Relative linearity*	±2%
Mechanical life	50k cycles

Part No.	Product No.	Manufacturer	Description	Power rating (W)	Resistance data(Ω)	Tolerance(±)	Shaft Dia. (mm)
41614	NPL07P08-103-3030W	PIHER	LINEAR POSITION SENSOR	0.2w	10kΩ	±30%	7.25mm*15

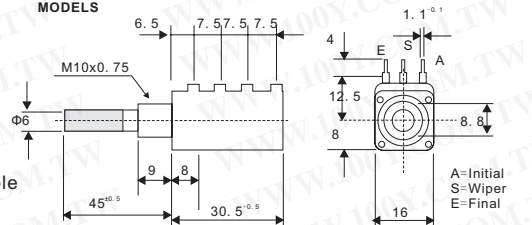


### FEATURES

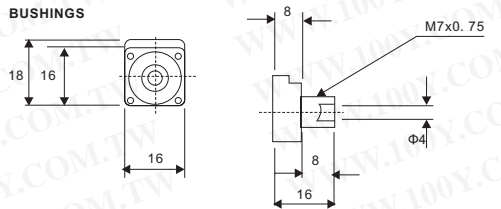
- Carbon resistance element
- Dust proof enclosure
- Polyester substrate
- Modular gang type (up to 4)
- Self extinguishable material UL 94-V0

- Upon request:
  - Metallic support
  - Stereo matching
  - Switch
  - Nut & washer
  - Bushless option available

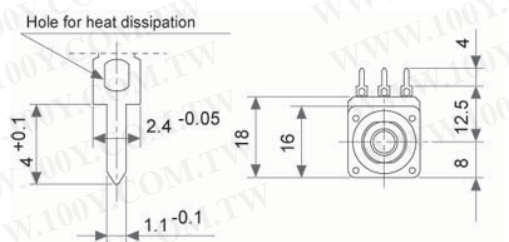
### MODELS



### BUSHINGS



### TERMINALS



### MECHANICAL SPECIFICATIONS

Mechanical rotation angle	300° ± 5°
Electrical rotation angle:	280° ± 20°
Torque:	0.5 to 1.5 Ncm. (0.7 to 2.1 in-oz)
Stop torque:	> 40 Ncm. (>56 in-oz)
Max. torque nut (binding out):	< 80 Ncm. (112 in-oz)
Thrust and pull in the shaft:	> 25 N

### ELECTRICAL SPECIFICATIONS

Range of values (*)	100Ω ≤ Rn ≤ 5M (Decad. 1. 0-2. 0-2. 2-2. 5-4. 7-5. 0)
Tolerance (*):	100Ω ≤ Rn ≤ 1MΩ ±20% 1MΩ < Rn ≤ 5MΩ ±30%
Max. voltage	250 VDC (lin) 125 VDC (no lin)
Nominal Power 50°C (122°F) (see power rating curve)	0.2 W (lin) 0.1 W (no lin)
Residual resistance:	≤0.1% Rn (2Ω min.)
Equivalent Noise Resistance	≤3% Rn (3Ω min.)
Operating temperature**	-25°C + 70°C (-13°F + 158°F)

Part No.	Product No.	Manufacturer	Description	Resistance data(Ω)	Tolerance(±)	Shaft Dia. (mm)
21384	PC16SH07IM11-103A2020-TA	PIHER	Piher_16mm Carbon Potentiometer	10K OHM	+/-20%	M11
21385	PC16SH07IM11-104A2020-TA	PIHER	16mm Carbon Potentiometer	100K ohm	+/-20%	M11

