

Resistors & Potentiometers

BOURNS_3266 Square Trimming Potentiometer

Detailed product specifications are available on: us.100y.com.tw

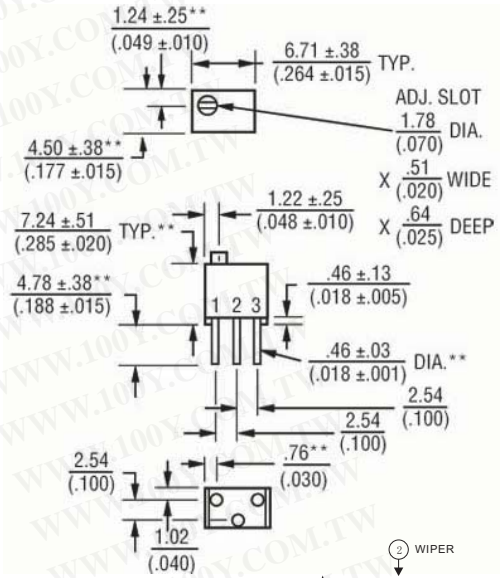


Features

- Multiturn / Cermet / Industrial / Sealed
- Standoffs allow thorough PC boardwashing
- Tape and reel packaging available
- Patent #4427966 drive mechanism
- RoHS compliant* version available

Electrical Characteristics	
Standard Resistance Range	10 to 1 megohm(see standard resistance table)
Resistance Tolerance	±10 % std.
Absolute Minimum Resistance	1 % or 2 ohms max.(whichever is greater)
Contact Resistance Variation	3.0 % or 3 ohms max.(whichever is greater)
Adjustability	Voltage Resistance ±0.02 % Resistance ±0.05 %
Resolution	Infinite
Insulation Resistance	500 vdc.1,000 megohms min.
Dielectric Strength	Sea Level 600 vac 80,000 Feet 250 vac
Effective Travel	12 turns nom.

Environmental Characteristics	
Power Rating (300 volts max.)	70 °C 0.25 watt 150 °C 0 watt
Temperature Range	-55 °C to +150 °C
Temperature Coefficient	±100 ppm/°C
Seal Test	85 °C Fluorinert†
Humidity	MIL-STD-202 Method 103 96 hours (2 % ΔTR, 10 Megohms IR)
Vibration	30 G (1 % ΔTR; 1 % ΔVR)
Shock	100 G (1 % ΔTR; 1 % ΔVR)
Load Life	1,000 hours 0.25 watt 70 °C (3 % ΔTR; 3 % CRV)
Rotational Life	200 cycles (4 % ΔTR; 3 % or 3 ohms, whichever is greater, CRV)



Physical Characteristics	
Torque	3.0 oz-in. Max.
Mechanical Stops	Wiper idles
Terminals	Solderable pins
Weight	0.015 oz.
Marking	Manufacturer's trademark, resistance code, wiring diagram, date code, manufacturer's model number and style
Wiper	50 % (Actual TR) ±10 %
Flammability	U.L. 94V-0
Standard Packaging	50 pcs. per tube
Adjustment Tool	H-90

Part No.	Product No.	Manufacturer	Description	Resistance data (Ω)	Type	Tolerance (±)	Power Rating (W)
36917	3266W-1-100	Bourns	BOURNS_3266 Trimmer Potentiometer	10	3266W-1	±10%	0.25W
36921	3266W-1-101	Bourns	BOURNS_3266 Trimmer Potentiometer	100	3266W-1	±10%	0.25W
36911	3266W-1-102	Bourns	BOURNS_3266 Trimmer Potentiometer	1K	3266W-1	±10%	0.25W
36914	3266W-1-103	Bourns	BOURNS_3266 Trimmer Potentiometer	10K	3266W-1	±10%	0.25W
36927	3266W-1-104	Bourns	BOURNS_3266 Trimmer Potentiometer	100K	3266W-1	±10%	0.25W
36936	3266W-1-105	Bourns	BOURNS_3266 Trimmer Potentiometer	1000K	3266W-1	±10%	0.25W
36919	3266W-1-200	Bourns	BOURNS_3266 Trimmer Potentiometer	20	3266W-1	±10%	0.25W
36923	3266W-1-201	Bourns	BOURNS_3266 Trimmer Potentiometer	200	3266W-1	±10%	0.25W
36912	3266W-1-202LF	Bourns	BOURNS_3266 Trimmer Potentiometer	2K	3266W-1	±10%	0.25W
18798	3266W-1-203	Bourns	BOURNS_3266 1/4" Trimmer Potentiometer	20K ohm	3266W-1	+/-10%	0.25W
36929	3266W-1-204	Bourns	BOURNS_3266 Trimmer Potentiometer	200k	3266W-1	±10%	0.25W
36926	3266W-1-253	Bourns	BOURNS_3266 Trimmer Potentiometer	25K	3266W-1	±10%	0.25W
36931	3266W-1-254	Bourns	BOURNS_3266 Trimmer Potentiometer	250k	3266W-1	±10%	0.25W
36920	3266W-1-500	Bourns	BOURNS_3266 Trimmer Potentiometer	50	3266W-1	±10%	0.25W
36925	3266W-1-501	Bourns	BOURNS_3266 Trimmer Potentiometer	500	3266W-1	±10%	0.25W
36913	3266W-1-502	Bourns	BOURNS_3266 Trimmer Potentiometer	5K	3266W-1	±10%	0.25W
36928	3266W-1-503	Bourns	BOURNS_3266 Trimmer Potentiometer	50K	3266W-1	±10%	0.25W
36934	3266W-1-504	Bourns	BOURNS_3266 Trimmer Potentiometer	500K	3266W-1	±10%	0.25W

- We provide a wide range of products to development and maintenance engineers in all type of business
- If you cannot find the components you want on the catalogue, please call us.



Taiwan: 886-3-5753170
Shanghai: 021-54151736 Shenzhen: 0755-83298787

Centenary Materials

Waiting for your phone call



T E L : Taiwan: 886-3-5753170
F A X : Taiwan: 886-3-5753172
E-mail : Taiwan: us_sale@100y.com.tw

Shenzhen: 86-755-83298787
Shenzhen: 86-755-83640655
Shenzhen: 100y@163.com

Shanghai: 86-21-54151736
Shanghai: 86-21-64605107
Shanghai: 100y-1@163.com