

Resistors & Potentiometers

3362 Cermet Trimmer

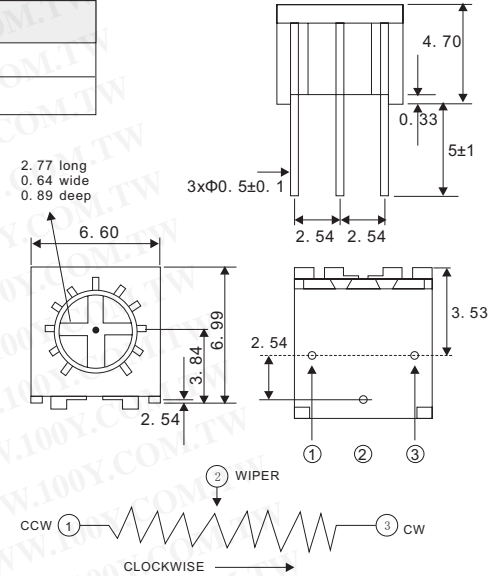
Detailed product specifications are available on: us.100y.com.tw



Physical Characteristics	
Mechanical Angle	22±10 cycle
Torque	≤35mN. m

Electrical Characteristics	
Standard Resistance Range	50Ω—2MΩ
Resistance Tolerance	±10%
Terminal resistance	≤1%R or 10Ω
Contact Resistance Variation	CRV≤3%R or 5Ω
Insulation Resistance	R1≥1GΩ(500Vac)

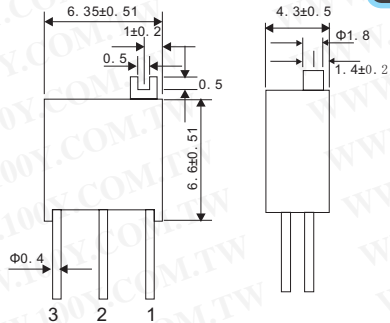
Environmental Characteristics	
Power Rating	(315V max) 0.75W (70°C) , 0W (125°C)
Temperature Range	-55°C to +125 °C
Temperature Coefficient	TCR±250ppm/°C
Vibration	10-500Hz, 0.75mm, 6h



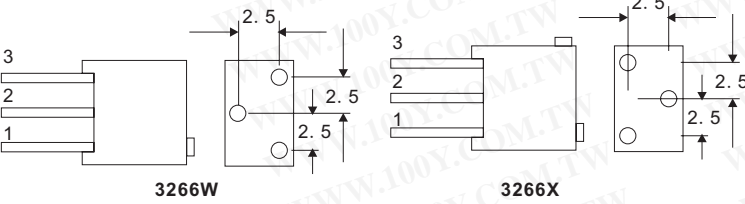
Part No.	Product No.	Description	Type	Resistance data(Ω)	Tolerance(±)	Power Rating (W)
15554	3362P-100KΩ	3362 Trimmer Potentiometer	3362P	100K ohm	+/-10%	0.75W
15549	3362P-100Ω	BANKER_3362 Trimmer Potentiometer	3362P	100 ohm	+/-10%	0.75W
15553	3362P-10KΩ	3362 Trimmer Potentiometer	3362P	10K ohm	+/-10%	0.75W
15551	3362P-1KΩ	BANKER_3362 Trimmer Potentiometer	3362P	1K ohm	+/-10%	0.75W
15550	3362P-200Ω	BANKER_3362 Trimmer Potentiometer	3362P	200 ohm	+/-10%	0.75W
15552	3362P-2KΩ	BANKER_3362 Trimmer Potentiometer	3362P	2K ohm	+/-10%	0.75W

3266 Cermet Trimmer

Detailed product specifications are available on: us.100y.com.tw



Characteristics	
Standard Resistance Range	100Ω—1MΩ
Temperature Coefficient	±150x10 ⁻⁶ M/°C
Resistance Tolerance	±10%
Mechanical Angle	12±1
Insulation Resistance	R1≥1GΩ
Terminal resistance	2Ω or 1%
Contact Resistance Variation	2Ω or 1%
Temperature Range	-55°C to +125 °C
Torque	≤35mN. m



Tolerance is ±0.05, if no identification

Part No.	Product No.	Description	Type	Resistance data (Ω)	Tolerance (±)	Power Rating (W)
41650	3266W-20KΩ	3266 Trimmer Potentiometer	3266W	20K ohm	+/-10%	0.25W
15561	3266X-100KΩ	3266 Trimmer Potentiometer	3266X	100K ohm	+/-10%	0.5W
15555	3266X-100Ω	3266 Trimmer Potentiometer	3266X	100 ohm	+/-10%	0.5W
15560	3266X-10KΩ	3266 Trimmer Potentiometer	3266X	10K ohm	+/-10%	0.5W
15558	3266X-1KΩ	3266 Trimmer Potentiometer	3266X	1K ohm	+/-10%	0.5W
15556	3266X-200Ω	3266 Trimmer Potentiometer	3266X	200 ohm	+/-10%	0.5W
17496	3266X-20KΩ	3266 Trimmer Potentiometer	3266X	20K ohm	+/-10%	0.5W
15559	3266X-2KΩ	3266 Trimmer Potentiometer	3266X	2K ohm	+/-10%	0.5W
29255	3266X-500KΩ	3266 Trimmer Potentiometer	3266X	500KΩ	±10%	0.5W
15557	3266X-500Ω	3266 Trimmer Potentiometer	3266X	500 ohm	+/-10%	0.5W

