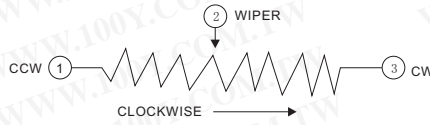


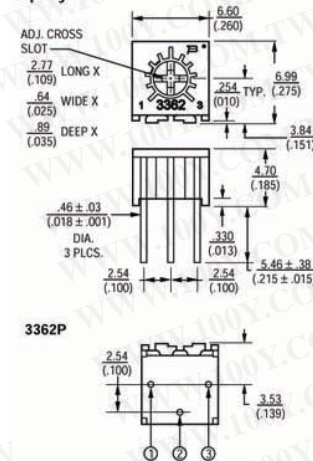
Resistors & Potentiometers

BOURNS_3362 Single-Turn Cermet Trimmer Potentiometers

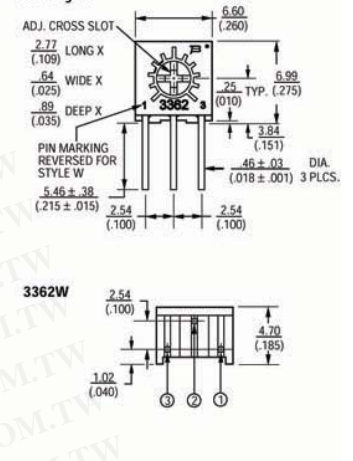
Detailed product specifications are available on: us.100y.com.tw



Common Dimensions Top Adjust



Common Dimensions Side Adjust



Environmental Characteristics		
Power Rating (300 volts max.)	70 °C 125 °C	0.50 watt 0 watt
Temperature Range		-55 °C to +125 °C
Temperature Coefficient		±100 ppm/°C
Seal Test		85 °C Fluorinert*
Humidity		MIL-STD-202 Method 103 96 hours (2 % ΔTR; 10 Megohms IR)
Vibration		30 G (1 % ΔTR; 1 % ΔVR)
Shock		100 G (1 % ΔTR; 1 % ΔVR)
Load Life		1,000 hours 0.5 watt @ 70 °C (3 % ΔTR; 3 % or 3 ohms, whichever is greater, CRV)
Rotational Life		200 cycles (4 % ΔTR; 3 % or 3 ohms, whichever is greater, CRV)

Physical Characteristics	
Mechanical Angle	.270 °nom.
Torque	3.0 oz-in. Max.
Stop Strength	7.0 oz-in. Min.
Terminals	Solderable pins
Weight	0.02 oz.
Marking	Resistance code, terminal numbers, manufacturer's model number, style and date code
Wiper	.Positioned at 50 % nominal
Flammability	U.L. 94V-0
Standard Packaging	50 pcs. per tube
Adjustment Tool	H-90



Part No.	Product No.	Manufacturer	Description	Type	Resistance data (Ω)	Tolerance (±)	Power Rating (W)
15010	3362P-1-101LF	Bourns	BOURNS_3362 Single-Turn Cermet Trimmer Potentiometer	3362P-1-RC	100 ohm	+/-10%	1/2W
15013	3362P-1-102LF	Bourns	BOURNS_3362 Single-Turn Cermet Trimmer Potentiometer	3362P-1-RC	1K ohm	+/-10%	1/2W
15016	3362P-1-103LF	Bourns	BOURNS_3362 Single-Turn Cermet Trimmer Potentiometer	3362P-1-RC	10K ohm	+/-10%	1/2W
15019	3362P-1-104LF	Bourns	BOURNS_3362 Single-Turn Cermet Trimmer Potentiometer	3362P-1-RC	100K ohm	+/-10%	1/2W
15022	3362P-1-105	Bourns	BOURNS_3362 Single-Turn Cermet Trimmer Potentiometer	3362P-1-RC	1M ohm	+/-10%	1/2W
15008	3362P-1-200	Bourns	BOURNS_3362 Single-Turn Cermet Trimmer Potentiometer	3362P-1-RC	20 ohm	+/-10%	1/2W
15011	3362P-1-201LF	Bourns	BOURNS_3362 Single-Turn Cermet Trimmer Potentiometer	3362P-1-RC	200 ohm	+/-10%	1/2W
15014	3362P-1-202	Bourns	BOURNS_3362 Single-Turn Cermet Trimmer Potentiometer	3362P-1-RC	2K ohm	+/-10%	1/2W
15017	3362P-1-203LF	Bourns	BOURNS_3362 Single-Turn Cermet Trimmer Potentiometer	3362P-1-RC	20K ohm	+/-10%	1/2W
15020	3362P-1-204	Bourns	BOURNS_3362 Single-Turn Cermet Trimmer Potentiometer	3362P-1-RC	200K ohm	+/-10%	1/2W
15009	3362P-1-500LF	Bourns	BOURNS_3362 Single-Turn Cermet Trimmer Potentiometer	3362P-1-RC	50 ohm	+/-10%	1/2W
15012	3362P-1-501LF	Bourns	BOURNS_3362 Single-Turn Cermet Trimmer Potentiometer	3362P-1-RC	500 ohm	+/-10%	1/2W
15015	3362P-1-502LF	Bourns	BOURNS_3362 Single-Turn Cermet Trimmer Potentiometer	3362P-1-RC	5K ohm	+/-10%	1/2W
15018	3362P-1-503LF	Bourns	BOURNS_3362 Single-Turn Cermet Trimmer Potentiometer	3362P-1-RC	50K ohm	+/-10%	1/2W
15021	3362P-1-504	Bourns	BOURNS_3362 Single-Turn Cermet Trimmer Potentiometer	3362P-1-RC	500K ohm	+/-10%	1/2W
31511	3362W-1-C	Bourns	BOURNS_3362 Single-Turn Cermet Trimmer Potentiometer	3362W-1-RC	100Ω	+/-10%	1/2W

BOURNS_3296 Multi-Turn Cermet Trimmers

Detailed product specifications are available on: us.100y.com.tw



- Features**
- Multiturn / Cermet / Industrial / Sealed
 - 5 terminal styles
 - Tape and reel packaging available
 - Chevron seal design
 - Lead free version available



3296P



Environmental Characteristics		
Power Rating (300 volts max.)	70 °C 125 °C	0.5 watt 0 watt
Temperature Range		-55 °C to +150 °C
Temperature Coefficient.		±100 ppm/°C
Seal Test		85 °C Fluorinert*
Humidity		MIL-STD-202 Method 103 96 hours (2 % ΔTR, 10 Megohms IR)
Vibration		20 G (1 % ΔTR; 1 % ΔVR)
Shock		100 G (1 % ΔTR; 1 % ΔVR)
Load Life		1,000 hours 0.5 watt @ 70 °C (3 % ΔTR; 3 % or 3 ohms, whichever is greater, CRV)
Rotational Life		200 cycles (4 % ΔTR; 3 % or 3 ohms, whichever is greater, CRV)



T E L : Taiwan: 886-3-5753170
F A X : Taiwan: 886-3-5753172
E-mail : Taiwan: us_sale@100y.com.tw

Shenzhen: 86-755-83298787
Shenzhen: 86-755-83640655
Shenzhen: 100y@163.com

Shanghai: 86-21-54151736
Shanghai: 86-21-64605107
Shanghai: 100y-1@163.com