

Resistors & Potentiometers

TOCOS_GF06 Single-Turn Cermet Trimmer Potentiometers

Detailed product specifications are available on: us.100y.com.tw



Environmental Specifications

Humidity	+40°C, 90-95%RH, 0.5 watt, 500 hours $\Delta T/R \leq \pm 3\%$, S.S. $\leq \pm 2\%$
Moisture Resistance	-10°C to +65°C, 80-98%RH, 0.5 watt, 10 cycles, 240 hours $\Delta T/R \leq \pm 2\%$
Soldering Heat Resistance	350°C, 3 seconds $\Delta T/R \leq \pm 1\%$
Seal Test	+85°C, hot water for 1 minute
Rotational Life	100 cycles without discontinuity $\Delta T/R \leq \pm (2Q+3\%)$

Part No.	Product No.	Manufacturer	Description	Resistance (Ω)	Tolerance (\pm)	Power Rating (W)	Type
39521	GF063P1-1K Ω	TOCOS	1/4" Square, Single-Turn, Through-Hole Sealed Cermet Trimmers	1K Ω	$\pm 20^\circ$	1/2W	GF063
39518	GF063P1-1M Ω	TOCOS	1/4" Square, Single-Turn, Through-Hole Sealed Cermet Trimmers	1M Ω	$\pm 20\%$	1/2W	GF063
39520	GF063P1-2K Ω	TOCOS	1/4" Square, Single-Turn, Through-Hole Sealed Cermet Trimmers	2K Ω	$\pm 20\%$	1/2W	GF063



Features

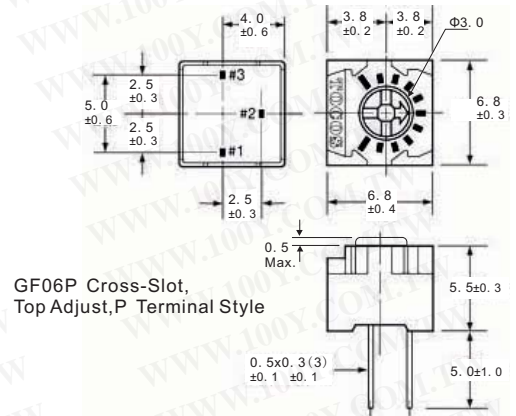
- 1/4" square, single-turn, through-hole, sealed cermet trimmers
- Top and side adjust styles available
- 14 pin configurations including the popular 3/8" pin styles
- Precious metal multi-contact wiper design
- Zero backlash
- Cross-slot design for automatic machine adjustment
- Meets UL 94V-0 flammability requirements
- Sealed to withstand wave soldering and immersion cleaning
- Taping available, reel or ammo packaging

Electrical Specifications

Standard Resistance Range	10 Ω to 5M Ω (standard 1, 2 & 5 sequence)
Resistance Tolerance	$\pm 10\%$ and $\pm 20\%$
End Resistance	1% or 1 Ω , whichever is greater
Resistance Taper	Linear
Peak Noise (C.R.V.)	1% or 1 Ω , whichever is greater
Power Rating	0.5 watt at +70°C, 0 watt at +125°C
Maximum Input Voltage	250VDC or power rating, whichever is smaller
Temperature Coefficient	$\pm 100\text{ppm}/^\circ\text{C}$
Insulation Resistance	1,000M Ω minimum at 500VDC
Dielectric Strength	900VAC, 1 minute
Adjustment Travel	210° $\pm 10^\circ$

Environmental Specifications

Temperature Range	-55°C to +125°C
Low Temperature Operation	-55°C, 0.5 watt, 2 hours $\Delta T/R \leq \pm 2\%$, S.S. $\leq \pm 2\%$
High Temperature Exposure	+125°C, 250 hours $\Delta T/R \leq \pm 2\%$, S.S. $\leq \pm 2\%$
Load Life	+70°C, 0.5 watt, 1,000 hours $\Delta T/R \leq \pm 3\%$, S.S. $\leq \pm 2\%$
Thermal Shock	-55°C, +125°C, 30 minutes each, 5 cycles $\Delta T/R \leq \pm 1\%$, S.S. $\leq \pm 1\%$
Shock	100G, 6ms, 6 directions, 3 times each $\Delta T/R \leq \pm 1\%$, S.S. $\leq \pm 1\%$
Vibration	10-2,000Hz, 1.5mm amplitude, 20G, 12 hours $\Delta T/R \leq \pm 1\%$, S.S. $\leq \pm 1\%$
Humidity	+40°C, 90-95%RH, 0.5 watt, 500 hours $\Delta T/R \leq \pm 3\%$, S.S. $\leq \pm 2\%$
Moisture Resistance	-10°C to +65°C, 80-98%RH, 0.5 watt, 10 cycles, 240 hours $\Delta T/R \leq \pm 2\%$
Soldering Heat Resistance	350°C, 3 seconds $\Delta T/R \leq \pm 1\%$
Seal Test	+85°C, hot water for 1 minute
Rotational Life	100 cycles without discontinuity $\Delta T/R \leq \pm (2Q+3\%)$



GF06P Cross-Slot, Top Adjust, P Terminal Style



Mechanical Specifications

Mechanical Travel	250° $\pm 10^\circ\text{C}$
Shaft Torque	200 gf·cm (2.77 oz·in) max.
Stop Strength	500 gf·cm (6.93 oz·in) min.
Flammability of Plastic Materials	Meets UL 94V-0
Nominal Weight	0.4g
Marking	Resistance code, date code, model type

Part No.	Product No.	Manufacturer	Description	Resistance (Ω)	Tolerance (\pm)	Power Rating (W)	Type
4048	GF06P-100K Ω	TOCOS	TOCOS_GF06 Single-Turn Cermet Trimmer Potentiometer	100K ohm	+/-20%	1/2W	GF06P
5355	GF06P-100 Ω	TOCOS	TOCOS_GF06 Single-Turn Cermet Trimmer Potentiometer	100 ohm	+/-20%	1/2W	GF06P
4047	GF06P-10K Ω	TOCOS	TOCOS_GF06 Single-Turn Cermet Trimmer Potentiometer	10K ohm	+/-20%	1/2W	GF06P
5358	GF06P-1K Ω	TOCOS	TOCOS_GF06 Single-Turn Cermet Trimmer Potentiometer	1K ohm	+/-20%	1/2W	GF06P
5362	GF06P-1M Ω	TOCOS	TOCOS_GF06 Single-Turn Cermet Trimmer Potentiometer	1M ohm	+/-20%	1/2W	GF06P
2535	GF06P-200K Ω	TOCOS	TOCOS_GF06 Single-Turn Cermet Trimmer Potentiometer	200K ohm	+/-20%	1/2W	GF06P
5356	GF06P-200 Ω	TOCOS	TOCOS_GF06 Single-Turn Cermet Trimmer Potentiometer	200 ohm	+/-20%	1/2W	GF06P
5360	GF06P-20K Ω	TOCOS	TOCOS_GF06 Single-Turn Cermet Trimmer Potentiometer	20K ohm	+/-20%	1/2W	GF06P
2534	GF06P-20 Ω	TOCOS	TOCOS_GF06 Single-Turn Cermet Trimmer Potentiometer	20 ohm	+/-20%	1/2W	GF06P
5359	GF06P-2K Ω	TOCOS	TOCOS_GF06 Single-Turn Cermet Trimmer Potentiometer	2K ohm	+/-20%	1/2W	GF06P
5361	GF06P-500K Ω	TOCOS	TOCOS_GF06 Single-Turn Cermet Trimmer Potentiometer	500K ohm	+/-20%	1/2W	GF06P
5357	GF06P-500 Ω	TOCOS	TOCOS_GF06 Single-Turn Cermet Trimmer Potentiometer	500 ohm	+/-20%	1/2W	GF06P
4837	GF06P-50K Ω	TOCOS	TOCOS_GF06 Single-Turn Cermet Trimmer Potentiometer	50K ohm	+/-20%	1/2W	GF06P
5354	GF06P-50 Ω	TOCOS	TOCOS_GF06 Single-Turn Cermet Trimmer Potentiometer	50 ohm	+/-20%	1/2W	GF06P
4838	GF06P-5K Ω	TOCOS	TOCOS_GF06 Single-Turn Cermet Trimmer Potentiometer	5K ohm	+/-20%	1/2W	GF06P

