

Resistors & Potentiometers

0603 Chip Resistors (1/10W)

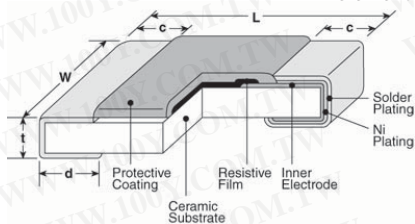
Detailed product specifications are available on: us.100y.com.tw

Part No.	Product No.	Manufacturer	Description	Resistance(Ω)	Tolerance(±)	Package
20435	RC0603JR-0733R	YAGEO	0603 Chip Resistors-Thick Film	33 ohm	+/-5%	
29141	RC0603JR-073R9	YAGEO	0603 Chip Resistors-Thick Film	39ohm	+/-5%	1R/5000pcs
19724	RC0603JR-07470R	YAGEO	0603 Chip Resistors-Thick Film	470 ohm	+/-5%	
20309	RC0603JR-0747R	YAGEO	0603 Chip Resistors-Thick Film	47 ohm	+/-5%	
19410	RC0603JR-074K7	YAGEO	0603 Chip Resistors-Thick Film	4.7K ohm	+/-5%	
12803	RC0603JR-0775R	YAGEO	SMD Resistor	75Ω	+/-5%	5000pcs/R



Features

- RuO₂thick film resistor element
- Anti-leaching nickel barrier terminations
- Meets or exceeds EIA 575, EIAJ RC 2690A, EIA PDP-100, MIL-R-55342F
- Marking:White three-digit on black protective coatNo marking on 1F, 1H and 1E sizes
- Products with lead-free terminations meet RoHS requirements
- Products with lead-free terminations meet RoHS requirements. Pb located in glass material, electrode and resistor element is exempt per Annex 1, exemption 5 of EU directive 2005/95/EC



DIMENSIONS AND CONSTRUCTION

Type (Inch Size Code)	Dimensions inches (mm)				
	L	W	c	d	t
1J (0603)	.063±.008 (1.6±0.2)	.031±.004 (0.8±0.1)	.012±.004 (0.3±0.1)	.012±.004 (0.3±0.1)	.018±.004 (0.45±0.1)

APPLICATIONS AND RATINGS

Part Designation*	Power Rating @ 70°C	T.C.R. (ppm/°C) Max.	Resistance Range E-24** (G±2%)	Resistance Range E-24** (J±5%)	Absolute Maximum Working Voltage	Absolute Maximum Overload Voltage	Operating Temperature Range***
RK73B1J (0603)	1/10W (.10W)	±200	10Ω- 10MΩ	10Ω- 10MΩ	50V	100V	-55°C to +155°C
		±400	1.0Ω- 9.1Ω	1.0Ω- 9.1Ω 11MΩ- 22MΩ			

Part No.	Product No.	Description	Resistance(Ω)	Tolerance(±)	Package
41567	RK73B1JTTD103J	General purpose 2%, 5% tolerance thick film chip resistor	10Ω	±5%	7 paper tape
41570	RK73B1JTTD104J	General purpose 2%, 5% tolerance thick film chip resistor	10Ω	±5%	7 paper tape
41569	RK73B1JTTD105J	General purpose 2%, 5% tolerance thick film chip resistor	10Ω	±5%	7 paper tape
41564	RK73B1JTTD106J	General purpose 2%, 5% tolerance thick film chip resistor	10Ω	±5%	7 paper tape
41566	RK73B1JTTD202J	General purpose 2%, 5% tolerance thick film chip resistor	10Ω	±5%	7 paper tape
41577	RK73B1JTTD392J	General purpose 2%, 5% tolerance thick film chip resistor	10Ω	±5%	7 paper tape
41571	RK73B1JTTD471J	General purpose 2%, 5% tolerance thick film chip resistor	10Ω	±5%	7 paper tape
41559	RK73B1JTTD563J	General purpose 2%, 5% tolerance thick film chip resistor	10Ω	±5%	7 paper tape



CONSTRUCTION

The resistors are constructed out of a high-grade ceramic body. Internal metal electrodes are added at each end and connected by a resistive paste. The composition of the paste is adjusted to give the approximate required resistance and laser cutting of this resistive layer that achieves tolerance trims the value. The resistive layer is covered with a protective coat. Finally, the two external terminations (Pure Tin) are added. See fig. 4

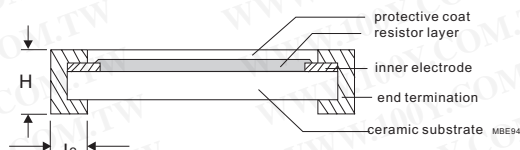
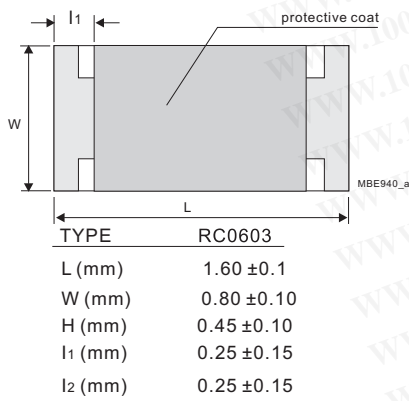


Fig. 4 Chip resistor construction



CHARACTERISTICS

		RC0603 1/10W	
Operating Temperature Range		-55 °C to +155 °C	
Maximum Working Voltage		50 V	
Maximum Overload Voltage		100 V	
Dielectric Withstanding Voltage		100 V	
Resistance Range		5% (E24) 1 Ω to 22 MΩ Zero Ohm Jumper < 0.05 Ω	1% (E96) 1 Ω to 10 MΩ
Temperature Coefficient		10 Ω < R ≤ 10 MΩ R ≤ 10 Ω; R > 10 MΩ	±100 ppm/°C ±200 ppm/°C
Jumper Criteria		Rated Current Maximum Current	1.0 A 2.0 A

Part No.	Product No.	Manufacturer	Description	Resistance(Ω)	Tolerance(±)	Package
27880	RP030E00XXJ	EVER OHMS	0603 Chip Resistors-Thick Film	0ohm	+/-5%	5000PCS/R
27884	RP03100EXXJ		0603 Chip Resistors-Thick Film	100ohm	+/-5%	



T E L : Taiwan : 886-3-5753170
 F A X : Taiwan : 886-3-5753172
 E-mail : Taiwan : us_sale@100y.com.tw

Shenzhen : 86-755-83298787
 Shenzhen : 86-755-83640655
 Shenzhen : 100y@163.com

Shanghai : 86-21-54151736
 Shanghai : 86-21-64605107
 Shanghai : 100y-1@163.com