

# Resistors & Potentiometers

## 0603 Chip Resistors (1/10W)

Detailed product specifications are available on: [us.100y.com.tw](http://us.100y.com.tw)

Part No.	Product No.	Manufacturer	Description	Resistance(Ω)	Tolerance(±)	Package
47947	RC0603FR-071R5L	YAGEO	0603 Chip Resistors-Thick Film-Lead Free	1.5 ohm	+/-1%	5000pcs/R
23792	RC0603FR-07200RL	YAGEO	0603 Chip Resistors-Thick Film-Lead Free	200 ohm	+/-1%	5000pcs/R
17052	RC0603FR-0720KL	YAGEO	0603 Chip Resistors-Thick Film-Lead Free	20K ohm	+/-1%	5000pcs/R
38027	RC0603FR-0720RL	YAGEO	0603 Chip Resistors-Thick Film-Lead Free	20 ohm	+/-1%	5000pcs/R
37706	RC0603FR-07220KL	YAGEO	0603 SMD Resistor-Lead Free	220K ohm	+/-1%	5000pcs/R
15990	RC0603FR-07220R	YAGEO	0603 Chip Resistors-Thick Film	220 ohm	+/-1%	5000pcs/R
17183	RC0603FR-0722KL	YAGEO	0603 Chip Resistors-Thick Film-Lead Free	22K ohm	+/-1%	5000pcs/R
17755	RC0603FR-0722RL	YAGEO	0603 Chip Resistors-Thick Film-Lead Free	22 ohm	+/-1%	5000pcs/R
41287	RC0603FR-07249K	YAGEO	0603 Chip Resistors-Thick Film-Lead Free	249K ohm	+/-1%	5000pcs/R
17782	RC0603FR-0724KL	YAGEO	0603 Chip Resistors-Thick Film-Lead Free	24K ohm	+/-1%	5000pcs/R
38032	RC0603FR-0727RL	YAGEO	0603 Chip Resistors-Thick Film-Lead Free	27 ohm	+/-1%	5000pcs/R
40538	RC0603FR-0728R	YAGEO	0603 Chip Resistors-Thick Film	28ohm	+/-1%	5000pcs/R
37703	RC0603FR-072K2L	YAGEO	0603 Chip Resistors-Lead Free	2.2K ohm	+/-1%	5000pcs/R
17539	RC0603FR-072K4	YAGEO	0603 Chip Resistors-Thick Film-Lead Free	2.4K ohm	+/-1%	5000pcs/R
35206	RC0603FR-072K49	YAGEO	0603 Chip Resistors-Thick Film	2.49K ohm	+/-1%	5000Pcs/R
17237	RC0603FR-072K7	YAGEO	0603 Chip Resistors-Thick Film-Lead Free	2.7K ohm	+/-1%	5000pcs/R
17766	RC0603FR-072KL	YAGEO	0603 Chip Resistors-Thick Film-Lead Free	2K ohm	+/-1%	5000pcs/R
41216	RC0603FR-072M	YAGEO	0603 Chip Resistor (1/10W)	2MΩ	+/-1%	5000pcs/R
22810	RC0603FR-072M2	YAGEO	SMD Resistor	2.2M	+/-1%	
32535	RC0603FR-07300R	YAGEO	0603 Chip Resistors-Thick Film	300 ohm	+/-1 %	5000pcs/R
41340	RC0603FR-07300RL	YAGEO	Chip Resistors-Thick Film	300Ω	±1%	5000pcs/R
41218	RC0603FR-07309K	YAGEO	0603 Chip Resistors-Thick Film-Lead Free	309K ohm	+/-1%	5000pcs/R
41219	RC0603FR-0731K6	YAGEO	0603 Chip Resistors-Thick Film-Lead Free	31.6K ohm	+/-1%	5000pcs/R
37708	RC0603FR-07330KL	YAGEO	0603 Chip Resistors-Thick Film-Lead Free	330K ohm	+/-1%	5000pcs/R
22746	RC0603FR-07330RL	YAGEO	0603 Chip Resistors-Thick Film-Lead Free	330 ohm	+/-1%	5000pcs/R
36489	RC0603FR-07332RL	YAGEO	0603 Chip Resistors-Lead Free	332Ω	+/-1%	5000PCS/R
17784	RC0603FR-0733KL	YAGEO	0603 Chip Resistors-Thick Film-Lead Free	33K ohm	+/-1%	5000pcs/R
36842	RC0603FR-0733R2	YAGEO	0603 Chip Resistors-Lead Free	33.2Ω	+/-1%	5000PCS/R
18113	RC0603FR-0733RL	YAGEO	0603 Chip Resistors-Thick Film	33 ohm	+/-1 %	

### CONSTRUCTION

The resistors are constructed out of a high-grade ceramic body. Internal metal electrodes are added at each end and connected by a resistive paste. The composition of the paste is adjusted to give the approximate required resistance and laser cutting of this resistive layer that achieves tolerance trims the value. The resistive layer is covered with a protective coat. Finally, the two external terminations (Pure Tin) are added. See fig. 4

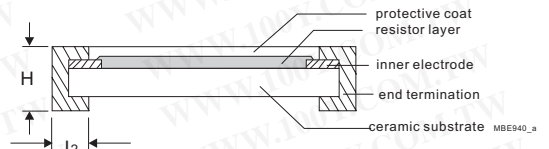
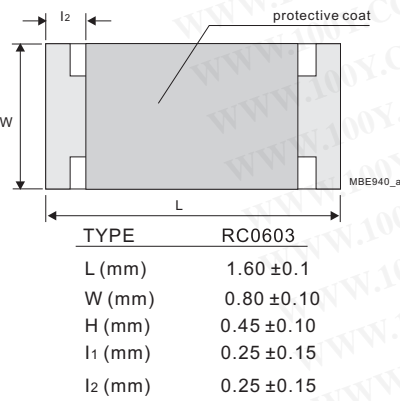


Fig. 4 Chip resistor construction



### CHARACTERISTICS

		RC0603 1/10W	
Operating Temperature Range		-55 °C to +155 °C	
Maximum Working Voltage		50 V	
Maximum Overload Voltage		100 V	
Dielectric Withstanding Voltage		100 V	
Resistance Range		5% (E24) 1 Ω to 22 MΩ	1% (E96) 1 Ω to 10 MΩ
		Zero Ohm Jumper	< 0.05 Ω
Temperature Coefficient		10 Ω < R ≤ 10 MΩ	±100 ppm/°C
		R ≤ 10 Ω; R > 10 MΩ	±200 ppm/°C
Jumper Criteria		Rated Current	1.0 A
		Maximum Current	2.0 A

Part No.	Product No.	Manufacturer	Description	Resistance(Ω)	Tolerance(±)	Package
28978	RC0603FR-0734K	YAGEO	SMD Resistor	34KΩ	±1%	5000pcs/R
40584	RC0603FR-0734R8L	YAGEO	0603 Chip Resistors-Thick Film-Lead Free	34.8 ohm	+/-1%	5000pcs/R
43265	RC0603FR-07365RL	YAGEO	0603 Chip Resistors-Thick Film-Lead Free	365 ohm	+/-1%	5000pcs/R
28432	RC0603FR-0736K	YAGEO	0603 Chip Resistors-Thick Film	36K ohm	+/-1%	5000
40788	RC0603FR-0736KL	YAGEO	0603 Chip Resistors-Thick Film-Lead Free	36K ohm	+/-1%	5000pcs/R
28977	RC0603FR-0739K	YAGEO	SMD Resistor	39KΩ	±1%	5000pcs/R
38244	RC0603FR-0739R	YAGEO	0603 Chip Resistors-Thick Film-Lead Free	39 ohm	+/-1%	5000pcs/R
17239	RC0603FR-073K3L	YAGEO	0603 Chip Resistors-Thick Film-Lead Free	3.3K ohm	+/-1%	5000pcs/R
43264	RC0603FR-073K65L	YAGEO	0603 Chip Resistors-Thick Film-Lead Free	3.65K ohm	+/-1%	5000pcs/R
22726	RC0603FR-073K9L	YAGEO	0603 Chip Resistors-Thick Film-Lead Free	3.9K ohm	+/-1%	5000pcs/R



T E L : Taiwan : 886-3-5753170  
 F A X : Taiwan : 886-3-5753172  
 E-mail : Taiwan : [us\\_sale@100y.com.tw](mailto:us_sale@100y.com.tw)

Shenzhen : 86-755-83298787  
 Shenzhen : 86-755-83640655  
 Shenzhen : 100y@163.com

Shanghai : 86-21-54151736  
 Shanghai : 86-21-64605107  
 Shanghai : 100y-1@163.com