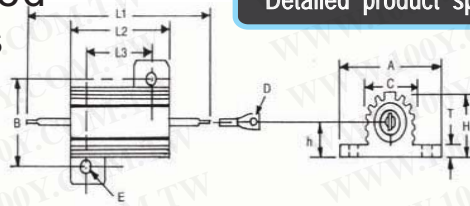


# Resistors & Potentiometers

## 5W\_Aluminium Housed Wirewound Resistors



Detailed product specifications are available on: [us.100y.com.tw](http://us.100y.com.tw)



POWER RATING	DIMENSIONS (MM)											Resistance range
	L1±1	L2±1	L3±0.8	A±1	C±1	D±0.1	E±0.3	H±1	h±1	T±0.2	TYPE	
RHA-5W	25	15.3	11.3	16.5	8.5	2.2	2.4	8.2	2.2	1.6	A	0.01~5KΩ

### ELECTRICAL CHARACTERISTICS

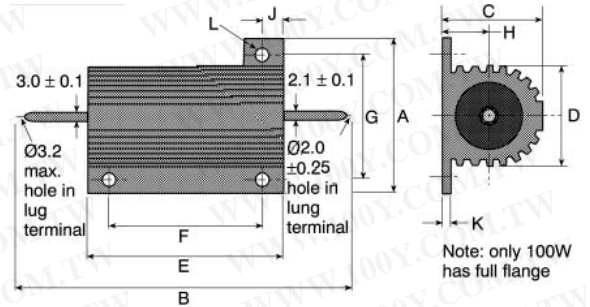
CHARACTERISTICS	LIMITS
Resistance tolerance	±1% (F) ±5% (J) ±2% (G) ±10% (K)
Temperature coefficient	R<0.05Ω ±200ppm/°C 0.05Ω≤R<0.1Ω ±100ppm/°C 0.1Ω≤R<400Ω ±50ppm/°C 400Ω≤R 30ppm/°C
Power rating load	Δ R/R≤ ( 1% + 0.05Ω) (temperature) 350°C max
Short-time overload	V=√W*R*5 R/RΔ ≤ ( 0.5% 0.05Ω)
Insulation resistance	DC500V 100MΩ min
Dielectric withstanding voltage	R/R≤±(0.2% + 0.05Ω) AC 2000V 1 minute

Part No.	Product No.	Description	Resistanc data(Ω)	Wate	Size:L2*L3*B(mm)	Tolerance(±)
17375	RHA5W43E0J	Aluminium Housed Wirewound Resistors	43Ω	5W	15.3*11.3*12.4	+/-5%

## 10W\_Aluminium Housed Wirewound Resistors



Detailed product specifications are available on: [us.100y.com.tw](http://us.100y.com.tw)

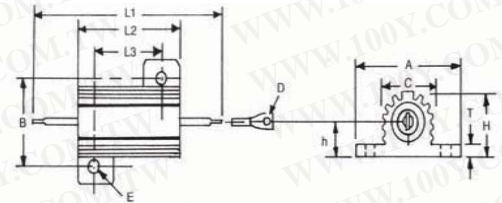


Part No.	Product No.	Description	Resistanc data (Ω)	Tolerance±	Wate	Size:L2*L3*B(mm)
13381	159-837	Aluminium Housed Wirewound Resistors	1Ω	+/-5%	10W	15.6*11.3*12.4



### Specification / Features

- High heat dissipation
- Withstands vibration
- High stability and strong construction
- Wattage range: 5W, 10W, 25W, 50W, 100W, and 250W



POWER RATING	DIMENSIONS (MM)											Resistance range
	L1±1	L2±1	L3±0.8	A±1	C±1	D±0.1	E±0.3	H±1	h±1	T±0.2	TYPE	
RHA-10W	29	19	14.3	20.4	11	2.2	2	10	5	2	A	0.01~10KΩ

### ELECTRICAL CHARACTERISTICS

CHARACTERISTICS	LIMITS
Resistance tolerance	±1% (F) ±5% (J) ±2% (G) ±10% (K)
Temperature coefficient	R<0.05Ω ±200ppm/°C 0.05Ω≤R<0.1Ω ±100ppm/°C 0.1Ω≤R<400Ω ±50ppm/°C 400Ω≤R 30ppm/°C
Power rating load	Δ R/R≤ ( 1% + 0.05Ω) (temperature) 350°C max
Short-time overload	V=√W*R*5 R/RΔ ≤ ( 0.5% 0.05Ω)
Insulation resistance	DC500V 100MΩ min
Dielectric withstanding voltage	R/R≤±(0.2% + 0.05Ω) AC 2000V 1 minute

Part No.	Product No.	Description	Resistanc data (Ω)	Tolerance±	Wate	Size:L2*L3*B(mm)
17560	RHA10W0E10J	Aluminium Housed Wirewound Resistors	0.1Ω	+/-5%	10W	15.6*11.3*12.4



T E L : Taiwan: 886-3-5753170  
 F A X : Taiwan: 886-3-5753172  
 E-mail : Taiwan: [us\\_sale@100y.com.tw](mailto:us_sale@100y.com.tw)

Shenzhen: 86-755-83298787  
 Shenzhen: 86-755-83640655  
 Shenzhen: 100y@163.com

Shanghai: 86-21-54151736  
 Shanghai: 86-21-64605107  
 Shanghai: 100y-1@163.com