

Resistors & Potentiometers

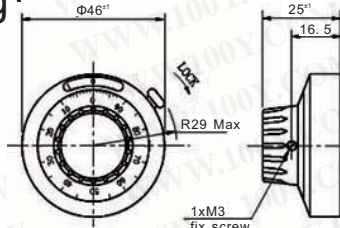
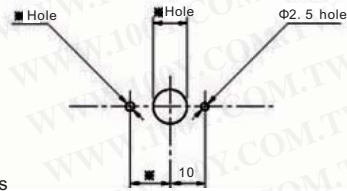
Multi-Turn Dial Mechanisms

Detailed product specifications are available on: us.100y.com.tw

Multi-Turn Dial Mechanisms (Analog)



21 Multi-Turn Dial Mechanisms

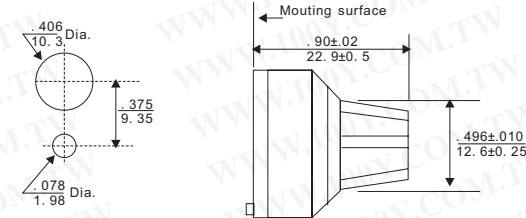
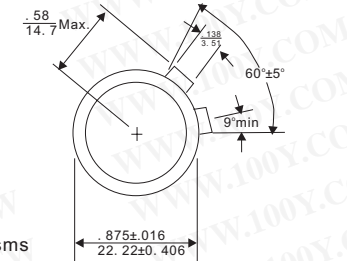


24 Multi-Turn Dial Mechanisms

The precision of referent: 1/50
The number of cycle: 10 cycles
Height: 25mm



2696 Multi-Turn Dial Mechanisms

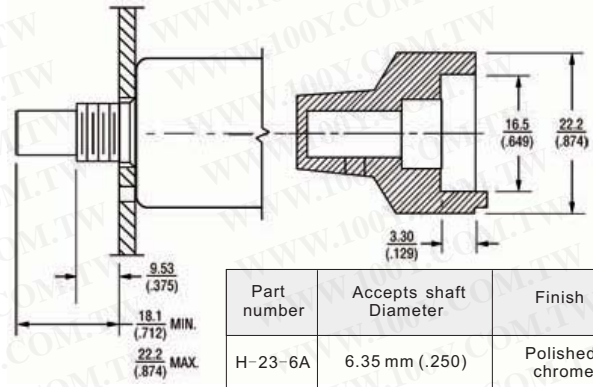


Part No.	Product No.	Description	Outer Dim. (mm)	Num. Of Turns	Dia of axle hole
20169	21 Multi-Turn Dial Mechanisms	Multi-Turn Dial Mechanisms	dia.46	15Turns	dia.6
20171	24 Multi-Turn Dial Mechanisms	Multi-Turn Dial Mechanisms	dia.24	10 Turns	dia.4
20170	2696 Multi-Turn Dial Mechanisms	Multi-Turn Dial Mechanisms	dia.22	10 Turns	dia.4



Features

- No backlash
- Compact - requires minimal panel space (22.2 mm diameter requirement)
- For use with precision potentiometers or other rotating devices, up to 15 turns
- Designed for metal shaft
- High Force "Click Brake"
- Black on polished chrome background
- RoHS compliant*



Part number	Accepts shaft Diameter	Finish
H-23-6A	6.35 mm (.250)	Polished chrome

Shaft and Bushing Requirements

Requirement	Refer to chart below
Shaft Diameter Requirements	Refer to chart below
Shaft Extension Beyond Panel	18.1 mm (0.712 in.) Minimum 22.2 mm (0.875 in.) Maximum
Bushing Extension Beyond Panel	9.53 mm (0.375 in.) Maximum



Mechanical and Physical Characteristics

Number of Turns	0 to 15
Dial Divisions	50 per turn
Readability - Over 10 Turns	2 parts in 1000
Torque With Brake Engaged	6.95 oz-in. (500 g-cm) minimum
Markings	Black on polished chrome background
Locking Brake	Yes
Weight.	15 grams (0.53 oz.)
Set Screw	UNC N2-56, one included
Set Screw Tightening Torque	16.94 N-cm (1.5 lbs.-in.) Minimum
Hex Key Size	0.05 in. Hex

Part No.	Product No.	Manufacturer	Description	Outer Dim. (mm)	Num. Of Turns	Dia of axle hole
13395	H-23-6A	Bourns	Multi-Turn Dial Mechanisms	dia.22	15 Turns	dia.6.35

