

## Resistors &amp; Potentiometers

## 2W Multi Precision Potentiometers (Wirewound)

Detailed product specifications are available on: [us.100y.com.tw](http://us.100y.com.tw)

22HP-10

## General Specifications

Materials:	Shaft: Stainless steel Housing case: Glass-filled nylon Bushing: Glass-filled nylon (For ganged version, the bushing is metal-brass without plating.) Terminals: Gold-plated brass (All terminals can be fitted with the AMP110 series faston receptacle (2.8×0.5mm) or equivalents.)
Mass:	Approx. 20g (Both 5-turn and 10-turn)

Part No.	Product No.	Manufacturer	Description	Shaft Dia. (mm)	Resistance data (Ω)	Power rating (W)	Num. of Wire	Tolerance (±)
23423	1S/22HPM-10G-20K	Sakae	Multi Precision Potentiometer	6	20K ohm	2W	10 Circles	±5%
24919	1S/22HPM-10G3-20K	Sakae	3-Level Potentiometers	6	20KΩ	2W	10 Turns	±5%
6329	22HP-10-100	Sakae	Sakae_22HP 2W Multi Precision Potentiometer	6	100 ohm	2	10 Circles	+5%
7441	22HP-10-100K	Sakae	Sakae_22HP 2W Multi Precision Potentiometer	6	100K ohm	2	10 Circles	+5%
6019	22HP-10-10K	Sakae	Sakae_22HP 2W Multi Precision Potentiometer	6	10K ohm	2.0	10 Circles	+5%
7438	22HP-10-1K	Sakae	Sakae_22HP 2W Multi Precision Potentiometer	6	1K ohm	2	10 Circles	+5%
7427	22HP-10-200	Sakae	Sakae_22HP 2W Multi Precision Potentiometer	6	200 ohm	2	10 Circles	+5%
7440	22HP-10-20K	Sakae	Sakae_22HP 2W Multi Precision Potentiometer	6	20Kohm	2	10 Circles	+5%
7439	22HP-10-2K	Sakae	Sakae_22HP 2W Multi Precision Potentiometer	6	2Kohm	2	10 Circles	+5%
7437	22HP-10-500	Sakae	Sakae_22HP 2W Multi Precision Potentiometer	6	500 ohm	2	10 Circles	+5%
5629	22HP-10-50K	Sakae	Sakae_22HP 2W Multi Precision Potentiometer	6	50K ohm	2W	10 Circles	+5%
2055	22HP-10-5K	Sakae	Sakae_22HP 2W Multi Precision Potentiometer	6	5K ohm	2	10 Circles	+5%

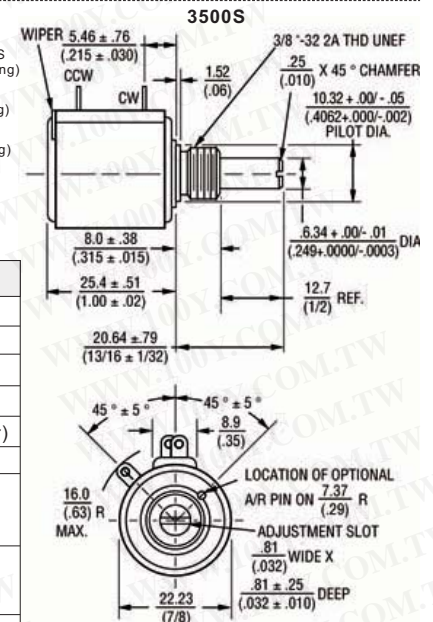


## Features

- Bushing mount
- Sealable
- Non-standard features and specifications available
- Optional high torque feature
- Optional center tap feature
- Gangable

NOTE: SHAFT LENGTH VARIATIONS

3500S-1-RC	11/16 (plastic bushing)	(17.46)
3500S-2-RC	13/16 (metal bushing)	(20.64)
3501H-1-RC	13/16 (metal bushing)	(20.64)



Electrical Characteristics <sup>1</sup>	
Standard Resistance Range	50 to 200 K ohms
Total Resistance Tolerance	±3 %
Independent Linearity	±0.20 %
Effective Electrical Angle	3600° +10°, -0°
Absolute Minimum Resistance/Minimum Voltage	1 ohm or 0.1 % maximum (whichever is greater)
Noise	100 ohms ENR maximum
Dielectric Withstanding Voltage (MIL-STD-202, Method 301) Sea Level 70,000 Feet	1,500 VAC minimum 400 VAC minimum
Power Rating (Voltage Limited By Power Dissipation or 325 VAC, Whichever Is Less)	2 watts 0 watt
Insulation Resistance (500 VDC)	1,000 megohms minimum
Resolution	See recommended part nos

Environmental Characteristics <sup>1</sup>	
Operating Temperature Range	+1 °C to +125 °C.
Storage Temperature Range	-65 °C to +125 °C
Temperature Coefficient Over Storage Temperature Range <sup>2</sup>	±50 ppm/°C maximum/unit
Vibration Wiper Bounce Total Resistance Shift Voltage Ratio Shift	20 G 0.1 millisecond maximum ±2 % maximum ±0.1 % maximum
Shock Wiper Bounce Total Resistance Shift Voltage Ratio Shift	100 G 0.1 millisecond maximum ±2 % maximum ±0.1 % maximum
Load Life Total Resistance Shift	1,000 hours, 2 watts ±2 % maximum
Rotational Life (No Load) Total Resistance Shift	2,000,000 shaft revolutions <sup>2</sup> ±5 % maximum

Mechanical Characteristics <sup>1</sup>	
Stop Strength	67.8 N-cm (96 oz.-in.) Minimum
Mechanical Angle	3600° +10°, -0°
Torque (Starting & Running) Mounting	0.42 N-cm (0.6 oz.-in.) Maximum 170-200 N-cm (15-18 lb.-in.) Maximum
Shaft Runout	0.05 mm (0.002 in.) T.I.R.
Lateral Runout	0.13 mm (0.005 in.) T.I.R.
Shaft End Play	0.13 mm (0.005 in.) T.I.R.
Shaft Radial Play	0.08 mm (0.003 in.) T.I.R.
Pilot Diameter Runout	0.05 mm (0.002 in.) T.I.R.
Backlash	1.0° maximum
Weight	Approximately 28 gm
Terminals	Gold-plated solder lugs or turrets (see Product Dimensions)



T E L : Taiwan : 886-3-5753170  
F A X : Taiwan : 886-3-5753172  
E-mail : Taiwan : [us\\_sale@100y.com.tw](mailto:us_sale@100y.com.tw)

Shenzhen : 86-755-83298787  
Shenzhen : 86-755-83640655  
Shenzhen : 100y@163.com

Shanghai : 86-21-54151736  
Shanghai : 86-21-64605107  
Shanghai : 100y-1@163.com