

# Resistors & Potentiometers

## BOURNS\_6657 Multi-Turn Precision Potentiometers

Detailed product specifications are available on: [us.100y.com.tw](http://us.100y.com.tw)

Mechanical Characteristics <sup>1</sup>		
Mechanical Angle		Continuous
Torque (Starting & Running) Mounting		0.40 N-cm (0.5 oz.-in.) Maximum 170-200 N-cm (15-18 lb.-in.) Maximum
Shaft Runout		0.025 mm (0.001 in.) T.I.R.
Shaft End Play		0.13 mm (0.005 in.) T.I.R.
Shaft Radial Play		0.13 mm (0.005 in.) T.I.R.
Backlash		0.1 ° maximum
Weight		32 gm
Terminals		Rear turret type
Soldering Condition	Manual Soldering Wave Soldering Wash processes	96.5Sn/3.0Ag/0.5Cu solid wire or no-clean rosin cored wire 370 °C (700 °F) max. for 3 seconds 96.5Sn/3.0Ag/0.5Cu solder with no-clean flux 260 °C (500 °F) max. for 5 seconds Not recommended
Marking		Manufacturer's name and part number, resistance value and tolerance, linearity tolerance, wiring diagram, and date code.
Ganging (Multiple Section Potentiometers)		1 cup maximum
Hardware		One lockwasher (H-37-2) and one mounting nut (H-38-2) is shipped with each potentiometer.

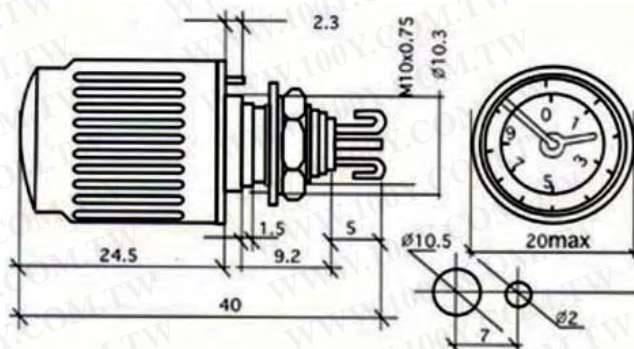
Part No.	Product No.	Manufacturer	Description	Resistance data (Ω)	Power rating (±)	Power Rating (W)	Type
37340	6657S-1-103	Bourns	Multi Precision Potentiometer	10KΩ	±10%	1W	6657S

## 1.6W Multi Precision Potentiometers (Wirewound)

Detailed product specifications are available on: [us.100y.com.tw](http://us.100y.com.tw)



- Power consume: (70°C) 1.6W
- Resistance range: 100Ω~47KΩ
- Mechanical travel: 360°±10°
- Max. working voltage: 160V
- Mechanical life: 10000 cycle



Part No.	Product No.	Description	Shaft Dia. (mm)	Resistance data (Ω)	Power rating (W)	Num. of Wire	Tolerance (±)
15745	WXD2-53-10KΩ	Indicator Multi Precision Potentiometer	10mm	10K ohm	1.6W	10 Circles	+2%

## 2W Multi Precision Potentiometers (Wirewound)

Detailed product specifications are available on: [us.100y.com.tw](http://us.100y.com.tw)



1S/22HPM-10G-20K

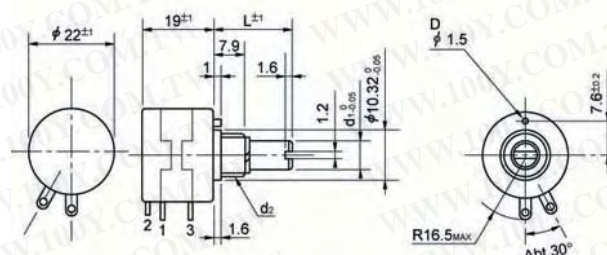


1S/22HPM-10G3-20K



22HP-10

General Specifications	
Standard Resistance Range:	100Ω to 50kΩ(5-turn) 100Ω to 100kΩ(10-turn)
Total Resistance Tolerance:	Standard Class ±5% (J) Precision Class ±1% (F)
Independent Linearity Tolerance:	5-turn 10-turn Standard Class ±0.3% ±0.25% Precision Class ±0.2% ±0.1% (Below 5kΩ) (±0.25%) (±0.15%)
Power Rating:	1.0W (5-turn) 2.0W (10-turn)
Noise:	Below 100ΩE.N.R.
Electrical Travel:	360°×n ±5°(n: No. of turns)
Mechanical Travel:	360°×n +10° <sub>0°</sub> (n: No. of turns)
Insulation Resistance:	Over 1,000MΩ at 500V.D.C.
Dielectric Strength:	1 minute at 1,000V.A.C.
Starting Torque:	Below 10mN·m (100gf·cm)
Stopper Strength:	Approx. 0.35N·m (3.5kgf·cm)
Max. Torque exerted on fastening the mounting nut to the bushing:	Below 1.0N·m (10kgf·cm)(In case of panel thickness with over 2.5mm., the rotating torque may become heavier.)
Max. Working Voltage:	250V
Resist. Temperature Coefficient of Wire:	±20p.p.m./°C



Model No.	Shaft Dimensions		Mounting screw	Anti-rotation
	d1	L		
22HP-10	Φ6	20.6	3/8-32UNEF	Yes
22HP-10M	Φ6	25.0	M9 P=0.75	No
22HP-10E	Φ6.35	20.6	3/8-32UNEF	Yes
22HP-10N	Φ6	20.6	M9 P=0.75	No

