

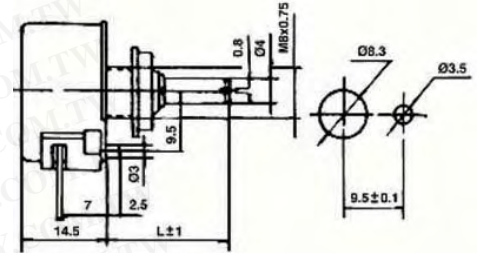
Resistors & Potentiometers

Low-Power Wire-Wound Potentiometers



- Power consume: (70°C) 3W
- Resistance range: 22Ω~27KΩ
- Mechanical travel: 300°±10°
- Max. working voltage: 200V
- Mechanica life: 5000cycle

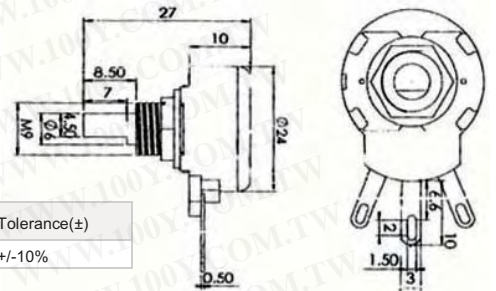
Detailed product specifications are available on: us.100y.com.tw



Part No.	Product No.	Description	Resistance data(Ω)	Power rating (W)	Tolerance(±)
12301	WX14-12-3W-100Ω	Single-Turn Wire Wound Potentiometer	100 ohm	3W	+/-5%
15737	WX14-12-3W-10KΩ	Single-Turn Wire Wound Potentiometer	10K ohm	3W	+/-5%
16223	WX14-12-3W-1KΩ	Single-Turn Wire Wound Potentiometer	1K ohm	3W	+/-5%
12300	WX14-12-3W-470Ω	Single-Turn Wire Wound Potentiometer	470 ohm	3W	+/-5%
19609	WX14-12-3W-47Ω	Single-Turn Wire Wound Potentiometer	47 ohm	3W	+/-5%



- Power consume: (70°C) 5W
- Resistance range: 5Ω~10KΩ
- Mechanical travel: 310°±10°
- Max. working voltage: 200V
- Mechanica life: 18000cycle



Part No.	Product No.	Description	Resistance data(Ω)	Power rating (W)	Tolerance(±)
15735	WX24-5W-25Ω	Single-Turn Wire Wound Potentiometer	25 ohm	5W	+/-10%

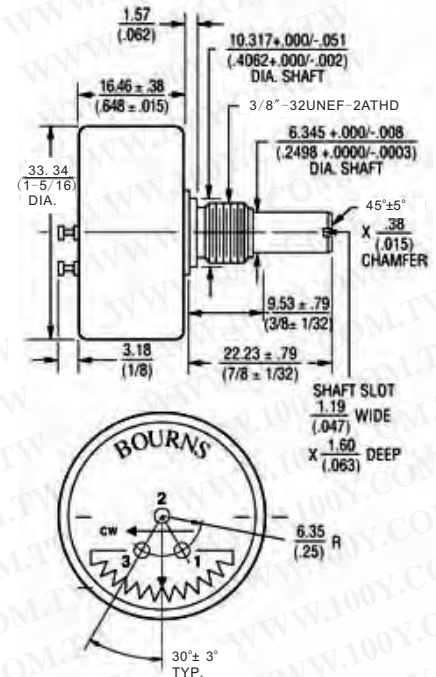
Precision Potentiometers BOURNS_6657 Multi-Turn Precision Potentiometers

Detailed product specifications are available on: us.100y.com.tw



Features

- Bushing mount
- Shaft supported by front sleeve bearing
- Non-standard features and specifications available



Electrical Characteristics ¹	
Standard Resistance Range	1 K to 100 K ohms
Total Resistance Tolerance	±10 %
Independent Linearity	±1 %
Effective Electrical Angle	340 ° ±3 °
End Voltage	0.5 % maximum
Output Smoothness	0.1 %
Dielectric Withstanding Voltage (MIL-STD-202, Method 301) Sea Level	750 VAC minimum
Power Rating (Voltage Limited By Power Dissipation or 300 VAC, Whichever is Less)	+70 °C 1.5 watts +125 °C 0 watt
Insulation Resistance (500 VDC)	1,000 megohms minimum
Resolution	Essentially infinite

Environmental Characteristics ¹	
Operating Temperature Range	-40 °C to +125 °C
Storage Temperature Range	-65 °C to +125 °C
Temperature Coefficient Over Storage Temperature Range	±500 ppm/°C maximum
Vibration	15 G 0.1 millisecond maximum Total Resistance Shift ±5 % maximum Voltage Ratio Shift ±0.5 % maximum
Shock	50 G 0.1 millisecond maximum Total Resistance Shift ±5 % maximum Voltage Ratio Shift ±0.5 % maximum
Load Life	1,000 hours, 1.5 watts Total Resistance Shift ±10 % maximum

Environmental Characteristics ¹	
Rotational Life (No Load)	10,000,000 shaft revolutions
Total Resistance Shift	±10 % maximum
Moisture Resistance (MIL-STD-202, Method 106)	Total Resistance Shift ±15 % maximum
IP Rating	IP 40

