

Resistors & Potentiometers

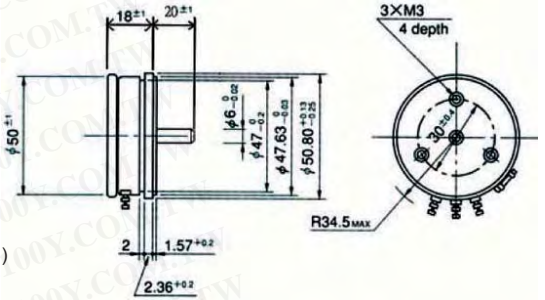
Low-Power Wire-Wound Potentiometers

Detailed product specifications are available on: us.100y.com.tw



General Specifications

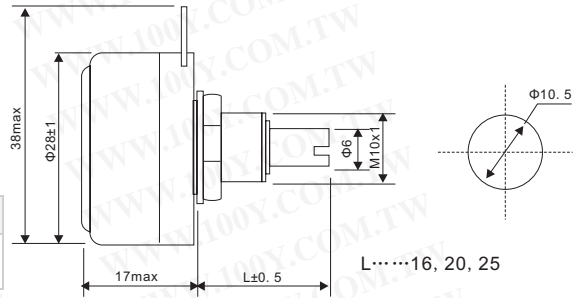
- Standard Resistance Range:** 50Ω to 20kΩ
- Max. Practical Resistance Value:** 50kΩ
- Total Resistance Tolerance:** Standard Class ±3%(H)
- Independent Linearity Tolerance:** Standard Class ±0.1% (5Kohm)
Standard Class ±0.2% (2Kohm)
- Noise:** Below 100Ω E.N.R.
- Electrical Travel:** 355°±3°
- Mechanical Travel:** 360°(Endless)
- Insulation Resistance:** Over 1,000MΩ at 1,000V.D.C.
- Dielectric Strength:** 1 minute at 1,000V.A.C.
- Starting Torque:** Below 5mN·m (50gf·cm)
- Max. Working Voltage:** 250V
- Resist. Temperature Coefficient of Wire:** ±20p.p.m./°C
- Mass:** Approx. 120g



Part No.	Product No.	Description	Resistance data(Ω)	Tolerance(±)
48587	SCP50-202	Single-Turn WireWound Potentiometer	5K ohm	+/-0.5%



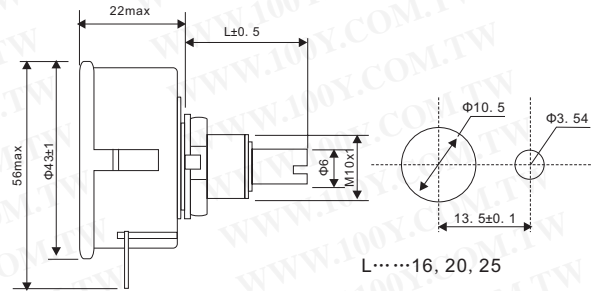
- Power consume: (70°C) 1W
- Resistance range: 22Ω~10KΩ
- Mechanical travel: 300°±10°
- Max. working voltage: 100V
- Mechanica life: 10000cycle



Part No.	Product No.	Description	Resistance data(Ω)	Power rating (W)	Tolerance(±)
15731	WX110-1W-150Ω	Single-Turn Wire Wound Potentiometer	150 ohm	1W	+/-10%



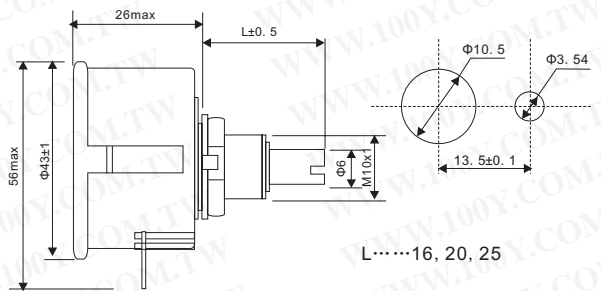
- Power consume: (70°C) 3W
- Resistance range: 22Ω~27KΩ
- Mechanical travel: 300°±10°
- Max. working voltage: 200V
- Mechanica life: 10000cycle



Part No.	Product No.	Description	Resistance data(Ω)	Power rating (W)	Tolerance(±)
15732	WX111-3W-10KΩ	Single-Turn Wire Wound Potentiometer	10K ohm	3W	+/-10%



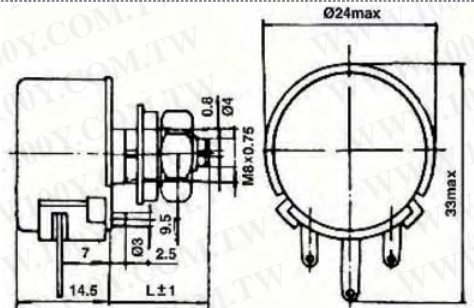
- Power consume: (70°C) 5W
- Resistance range: 22Ω~39KΩ
- Mechanical travel: 300°±10°
- Max. working voltage: 320V
- Mechanica life: 10000cycle



Part No.	Product No.	Description	Resistance data(Ω)	Power rating (W)	Tolerance(±)
15733	WX112-5W-8.2KΩ	Single-Turn Wire Wound Potentiometer	8.2K ohm	5W	+/-10%



- Power consume: (70°C) 3W
- Resistance range: 27Ω~22KΩ
- Mechanical travel: 300°±10°
- Max. working voltage: 200V
- Mechanica life: 500cycle



Part No.	Product No.	Description	Resistance data(Ω)	Power rating (W)	Tolerance(±)
15734	WX14-11-3W-10KΩ	Single-Turn Wire Wound Potentiometer	10K ohm	3W	+/-5%

• If you cannot find the components you want on the catalogue, please call us.

Taiwan: 886-3-5753170
Shanghai: 021-54151736 **Shenzhen: 0755-83298787**

Centenary Materials
 Waiting for your phone call



T E L : Taiwan: 886-3-5753170
 F A X : Taiwan: 886-3-5753172
 E-mail : Taiwan: us_sale@100y.com.tw

Shenzhen: 86-755-83298787
 Shenzhen: 86-755-83640655
 Shenzhen: 100y@163.com

Shanghai: 86-21-54151736
 Shanghai: 86-21-64605107
 Shanghai: 100y-1@163.com