

Resistors & Potentiometers

Low-Power Wire-Wound Potentiometers

Detailed product specifications are available on: us.100y.com.tw



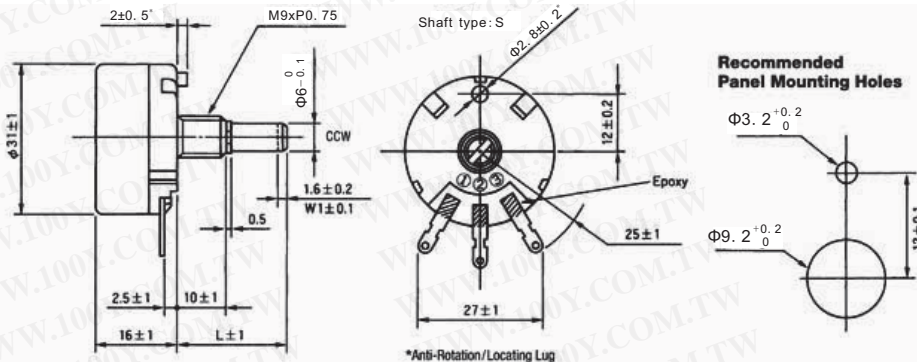
Features

- 30mm diameter, single-turn industrial panel controls
- Wirewound element
- Linear or audio tapers
- Single, tandem and triple units, single shaft; dual unit, dual shaft
- SPST or SPDT switch with 1A or 3A rating
- Shaft lock and center tap models

- Metal shaft and bushing
- Temperature range of -10°C or -30°C, up to +100°C
- Panel mount only
- 6mm diameter shafts in slot, flat or round end styles
- Standard 15mm or 20mm shaft length



RA30Y & RA30X
Panel Mount, Single Unit, Single Shaft Right Angle Ear-Lug Terminals



Standard Rotary Switches	
Switch Rating	110VAC, 1A or 3A, SPDT or SPST
Contact Resistance	0.05Ω max.
Operating Torque	1,500 gf·cm (20.79 oz·in) max.
Operating Life	10,000 cycles without load

Specifications

Electrical			
Standard Resistance Range	B=5Ω to 20kΩ A,C=100Ω to 5kΩ		
Resistance Tolerance	±10% standard (±5%, ±2% or ±1% special order)		
End Resistance	R<500Ω=1Ω max. R≥500Ω= 0.2% max.		
Resistance Taper	B = linear; A = CW audio (logarithm); C = CCW audio (logarithm)		
Power Rating	B = 2.5 watts; A, C = 1.25 watts, at +40°C		
Insulation Resistance	100MΩ minimum at 500VDC		
Dielectric Strength	500VAC, 1 minute		
Theoretical Resolution			
Resistance (Ω)	Resolution (%)	Resistance (Ω)	Resolution (%)
5	1.62	500	0.23
10	0.81	1,000	0.19
20	0.67	2,000	0.15
50	0.45	5,000	0.14
100	0.44	10,000	0.12
200	0.32	20,000	0.10

Mechanical	
Mechanical Travel	300° ± 5°
Shaft Torque	Single Unit: 70.1 to 306 gf·cm (0.972 to 4.242 oz·in) Tandem Unit: 70 to 701 gf·cm (0.97 to 9.718 oz·in) Other Units: 70 to 450 gf·cm (0.97 to 6.238 oz·in)
Stop Strength	10.2 kgf·cm (141.4 oz·in) max.
Mounting Nut Torque	15 kgf·cm (207.94 oz·in) max.
Solderability	235°C, 3 seconds
Marking	Taper, resistance, resistance tolerance, terminal identification, date code

Environmental	
Temperature Range	Y = -10°C to +100°C or X = -30°C to +100°C
Temperature Characteristics	+85°C, 5 hours without load ΔT/R ≤ ± 5%
Low Temperature Exposure	-10°C (Y), -30°C (X) 1 hour without load ΔT/R ≤ ± 3%
Load Life	+40°C, 1,000 hours with rated load ΔT/R ≤ ± 3%
Moisture and Load Life	+40°C, 90-95%RH, 500 hours with 1/10 rated load ΔT/R ≤ ± 5%
Vibration	10-55Hz, 1.5mm amplitude, 2 directions, 2 hours each ΔT/R ≤ ± 1%
Soldering Heat Resistance	350°C, 3.5 seconds; ΔT/R ≤ ± 2%
Rotational Life	15,000 cycles (500 cycles for shaft lock models only) with 1/2 rated load ΔT/R ≤ ± 3%

Part No.	Product No.	Manufacturer	Description	Resistance data(Ω)	Power rating (W)
8331	RA30YN20S-10K	TOCOS	Low-Power Wire-Wound Potentiometer	10K ohm	2.5W
2927	RA30YN20S-1K	TOCOS	Low-Power Wire-Wound Potentiometer	1K ohm	2.5W
4472	RA30YN20S-20K	TOCOS	Low-Power Wire-Wound Potentiometer	20K ohm	2.5W
43896	RA30YN20S-2K	TOCOS	Low-Power Wire-Wound Potentiometer	2KΩ	2.5W
2332	RA30YN20S-5K	TOCOS	Low-Power Wire-Wound Potentiometer	5K ohm	2.5W

- We provide a wide range of products to development and maintenance engineers in all type of business
- If you cannot find the components you want on the catalogue, please call us.

Taiwan: 886-3-5753170
Shanghai: 021-54151736 Shenzhen: 0755-83298787

Centenary Materials
Waiting for your phone call



T E L : Taiwan: 886-3-5753170
F A X : Taiwan: 886-3-5753172
E-mail : Taiwan: us_sale@100y.com.tw

Shenzhen: 86-755-83298787
Shenzhen: 86-755-83640655
Shenzhen: 100y@163.com

Shanghai: 86-21-54151736
Shanghai: 86-21-64605107
Shanghai: 100y-1@163.com