

Resistors & Potentiometers

Carbon Potentiometers

Detailed product specifications are available on: us.100y.com.tw



Features

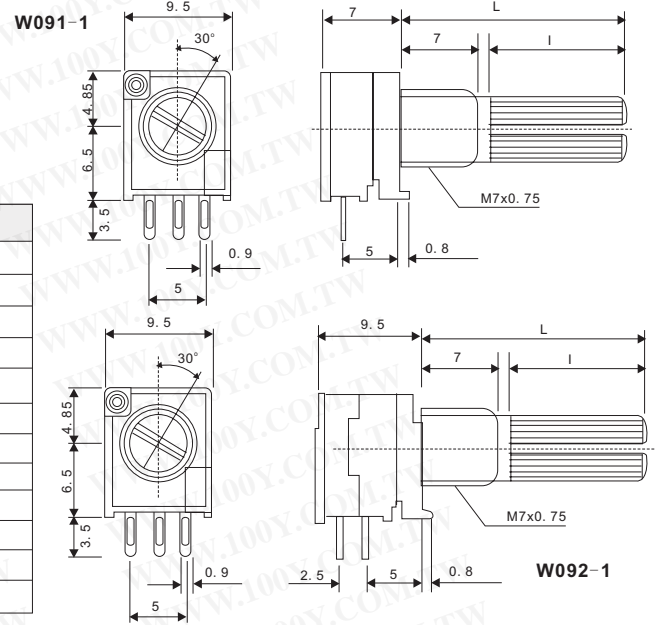
- Insert molding with resin around the resistor prevents flux build-up.
- Small, only 9.5mm wide.

Applications

- Computer speaker, DVD, Car stereos etc

Specifications

Item	Specification
Rated power(at 70°C)	A:0.05W; B,C:0.033W
Max.operating voltage	50V AC
Withstand voltage	250V AC Imin
Total angle of mechanical rotation	300° ±5°
Switch rotational angle	50° max
Rotational torque	2-30mN.m
Switch rotational torque	≤50mN.m
Rotational stopper strength	≥300mN.m
Gang error	±3dB
Switch rating	12V DC; 3A
Rotational life	10,000 cycles
Switch life	10,000 cycles



Part No.	Product No.	Description	Power rating (W)	Resistance data(Ω)	Tolerance(±)
23377	W091-1B-B100KΩ-K15	W091 METAL SHAFT ROTARY CARBON POTENTIOMETERS	0.033W	100KΩ	±20%
23392	W091-1B-B10KΩ-K15	W091 METAL SHAFT ROTARY CARBON POTENTIOMETERS	0.033W	10KΩ	±20%
23389	W091-1B-B1KΩ-K15	W091 METAL SHAFT ROTARY CARBON POTENTIOMETERS	0.033W	1KΩ	±20%
23395	W091-1B-B1MΩ-K15	W091 METAL SHAFT ROTARY CARBON POTENTIOMETERS	0.033W	1MΩ	±20%
23297	W091-1B-B200KΩ-K15	W091 METAL SHAFT ROTARY CARBON POTENTIOMETERS	0.033W	200KΩ	±20%
23393	W091-1B-B20KΩ-K15	W091 METAL SHAFT ROTARY CARBON POTENTIOMETERS	0.033W	20KΩ	±20%
23390	W091-1B-B2KΩ-K15	W091 METAL SHAFT ROTARY CARBON POTENTIOMETERS	0.033W	2KΩ	±20%
23388	W091-1B-B500KΩ-K15	W091 METAL SHAFT ROTARY CARBON POTENTIOMETERS	0.033W	500KΩ	±20%
23394	W091-1B-B50KΩ-K15	W091 METAL SHAFT ROTARY CARBON POTENTIOMETERS	0.033W	50KΩ	±20%
23391	W091-1B-B5KΩ-K15	W091 METAL SHAFT ROTARY CARBON POTENTIOMETERS	0.033W	5KΩ	±20%
23398	W092-1BK-B100KΩ-K15	W092 METAL SHAFT ROTARY CARBON POTENTIOMETERS	0.033W	100KΩ	±20%
23403	W092-1BK-B10KΩ-K15	W092 METAL SHAFT ROTARY CARBON POTENTIOMETERS	0.033W	10KΩ	±20%
23401	W092-1BK-B1KΩ-K15	W092 METAL SHAFT ROTARY CARBON POTENTIOMETERS	0.033W	1KΩ	±20%
23399	W092-1BK-B200KΩ-K15	W092 METAL SHAFT ROTARY CARBON POTENTIOMETERS	0.033W	200KΩ	±20%
23400	W092-1BK-B500KΩ-K15	W092 METAL SHAFT ROTARY CARBON POTENTIOMETERS	0.033W	500KΩ	±20%
23404	W092-1BK-B50KΩ-K15	W092 METAL SHAFT ROTARY CARBON POTENTIOMETERS	0.033W	50KΩ	±20%
23402	W092-1BK-B5KΩ-K15	W092 METAL SHAFT ROTARY CARBON POTENTIOMETERS	0.033W	5KΩ	±20%

Low-Power Wire-Wound Potentiometers

Detailed product specifications are available on: us.100y.com.tw



General Specifications

- Standard Resistance Range:** 50Ω to 20kΩ
- Max. Practical Resistance Value:** 50kΩ
- Total Resistance Tolerance:** Standard Class ±3%(H)
Precision Class ±1%(F)
- Independent Linearity Tolerance:** Standard Class ±0.5%
Precision Class ±0.1%
(±0.2% in case of below 2kΩ)
- Power Rating:** 1.5W

Noise: Below 100Ω E.N.R.

Electrical Travel: 355°±3°

Mechanical Travel: 360°(Endless)

Insulation Resistance: Over 1,000MΩat 1,000V.D.C.

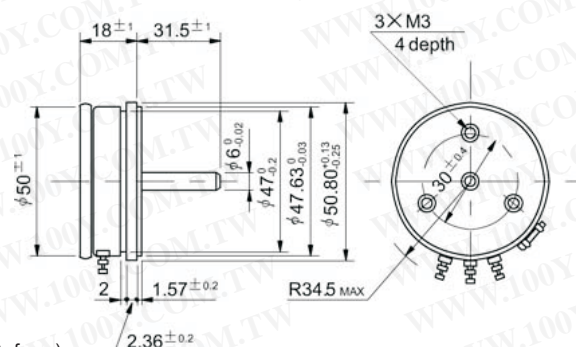
Dielectric Strength: 1 minute at 1,000V.A.C.

Starting Torque: Below 5mN·m (50gf·cm)

Max. Working Voltage: 250V

Resist. Temperature Coefficient of Wire: ±20p.p.m./°C

Mass: Approx. 120g



Part No.	Product No.	Description	Resistance data(Ω)	Tolerance(±)
44668	CP50-202	Single-Turn WireWound Potentiometer	2K ohm	+/-0.5%
49128	CP50-502	Single-Turn WireWound Potentiometer	5K ohm	+/-0.5%



T E L : Taiwan : 886-3-5753170
F A X : Taiwan : 886-3-5753172
E-mail : Taiwan : us_sale@100y.com.tw

Shenzhen : 86-755-83298787
Shenzhen : 86-755-83640655
Shenzhen : 100y@163.com

Shanghai : 86-21-54151736
Shanghai : 86-21-64605107
Shanghai : 100y-1@163.com