



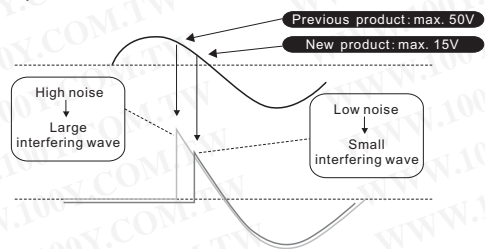
Relays & Solenoids

NAIS_PCB Relays

Detailed product specifications are available on: us.100y.com.tw

FEATURES

1. Low zero-cross voltage (max. 15 V) type added to lineup. Approximately 1/3 of previous product
Helps reduce device noises even further.

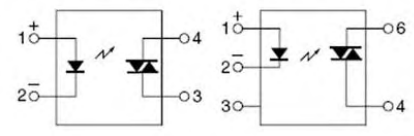
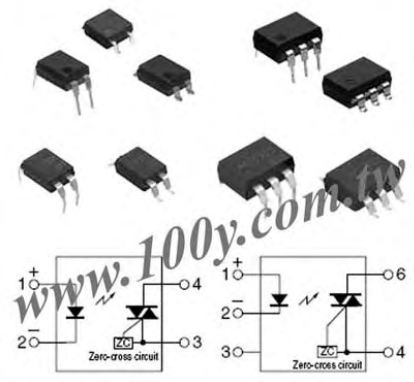


- 2. Two types available: Random type and zero-cross type
- 3. Many package sizes available. (Wide terminal type with 10.16 mm pitch between I/O terminals available.)
- 4. High dielectric strength. (Between input and output: SOP 3, 750 V; DIP 5,000 V)

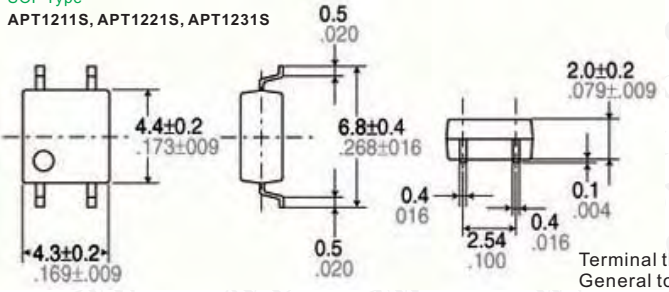
- 5. Handles both 100 and 200 V AC loads
This relay handles both voltages in a single product it is not necessary for users that use both types to manage separate part numbers.
- 6. Terminal 5 of the DIP 6-pin type is completely molded.

TYPICAL APPLICATIONS

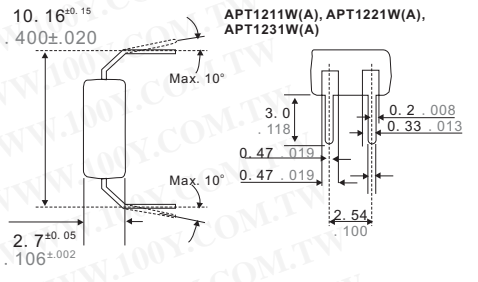
- For triac driver
- For 100V/200V, 50/60 Hz lines
- 1. For triac driver in heater controls of products such as office equipment, household appliances, and industrial machines.
- 2. Triac driver for SSRs



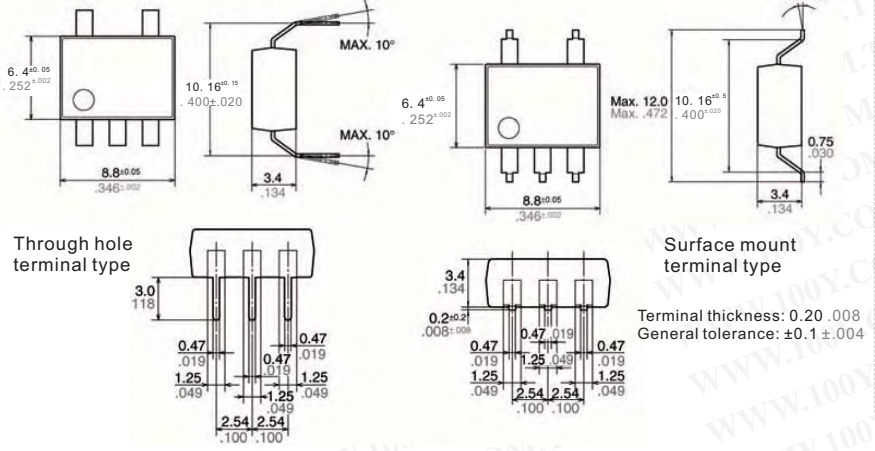
SOP Type
APT1211S, APT1221S, APT1231S



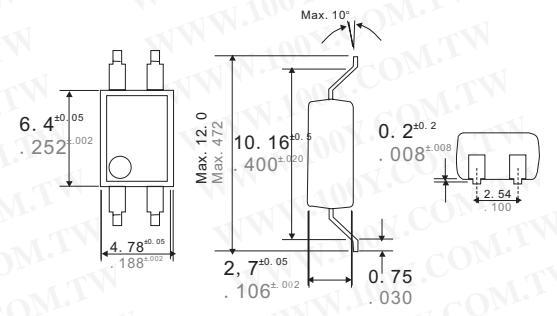
DIP4 Wide Terminal Type



DIP6 Wide Terminal Type
APT1212W(A), APT1222W(A), APT1232W(A)



Through hole terminal type



Surface mount terminal type

Terminal thickness: 0.20±0.008
General tolerance: ±0.1±0.004

Part No.	Product No.	Manufacturer	Description	Contact Rating	Coil Voltage	Recognized Safety	Type
47475	APT1211	NAIS	NAIS_Phototriac Coupler RELAY	600V 100 mA	600V	UL,C-UL,VDE	APT1
47469	APT1211S	NAIS	NAIS_Phototriac Coupler RELAY	600V 50 mA	600V	UL,C-UL,VDE	APT1
47483	APT1211W	NAIS	NAIS_Phototriac Coupler RELAY	600V 100 mA	600V	UL,C-UL,VDE	APT1
47478	APT1212	NAIS	NAIS_Phototriac Coupler RELAY	600V 100 mA	600V	UL,C-UL,VDE	APT1
47486	APT1212W	NAIS	NAIS_Phototriac Coupler RELAY	600V 100 mA	600V	UL,C-UL,VDE	APT1
47477	APT1221	NAIS	NAIS_Phototriac Coupler RELAY	600V 100 mA	600V	UL,C-UL,VDE	APT1
47474	APT1221S	NAIS	NAIS_Phototriac Coupler RELAY	600V 50 mA	600V	UL,C-UL,VDE	APT1
47485	APT1221W	NAIS	NAIS_Phototriac Coupler RELAY	600V 100 mA	600V	UL,C-UL,VDE	APT1
47481	APT1222	NAIS	NAIS_Phototriac Coupler RELAY	600V 100 mA	600V	UL,C-UL,VDE	APT1
47488	APT1222W	NAIS	NAIS_Phototriac Coupler RELAY	600V 100 mA	600V	UL,C-UL,VDE	APT1
47476	APT1231	NAIS	NAIS_Phototriac Coupler RELAY	600V 100 mA	600V	UL,C-UL,VDE	APT1
47471	APT1231S	NAIS	NAIS_Phototriac Coupler RELAY	600V 50 mA	600V	UL,C-UL,VDE	APT1
47484	APT1231W	NAIS	NAIS_Phototriac Coupler RELAY	600V 100 mA	600V	UL,C-UL,VDE	APT1
47480	APT1232	NAIS	NAIS_Phototriac Coupler RELAY	600V 100 mA	600V	UL,C-UL,VDE	APT1
47487	APT1232W	NAIS	NAIS_Phototriac Coupler RELAY	600V 100 mA	600V	UL,C-UL,VDE	APT1



T E L : Taiwan: 886-3-5753170
F A X : Taiwan: 886-3-5753172
E-mail : Taiwan: us_sale@100y.com.tw

Shenzhen: 86-755-83298787
Shenzhen: 86-755-83640655
Shenzhen: 100y@163.com

Shanghai: 86-21-54151736
Shanghai: 86-21-64605107
Shanghai: 100y-1@163.com