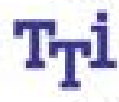
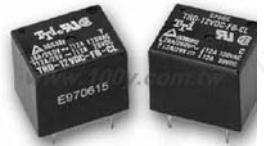




# Relays & Solenoids

## TTI\_PCB Relays

Detailed product specifications are available on: [us.100y.com.tw](http://us.100y.com.tw)



### CONTACT RATING

### PERFORMANCE (at initial value)

Item	Type	TRD
Shock Endurance Error Operation		100G Min. 10G Min.
Life Expectancy Mechanically Electrically		10x10 <sup>6</sup> operations. Min. (no load) 10x 10 <sup>4</sup> operations. Min. (at rated coil voltage)
Weight		abt. 10grs.

Item	Type	TRD		TRDT
		12A	15A	
Contact Capacity Resistive Load (cosΦ=1)		12A 28VDC (UL) 12A 120VAC 12A 28VDC (TUV) 6A 250VAC	12A 28VDC (UL) 15A 125VAC 15A 28VDC (TUV) 10A 250VAC	125VAC TV-8 (Incandescent Lamp 8A) 10A 250VAC 15A 28VDC <b>1/2HP125VAC</b>
Rated Carrying Current		12A	15A	15A
Max. Allowable Voltage		250VAC/110VDC	250VAC/110VDC	250VAC/110VDC
Max. Allowable Current		12A	15A	15A
Max. Allowable Power Force		1440VAC, 336W	1875VA, 420W	1875VA, 420W
Referenced Min. Applicable Load		5VDC, 10mA	5VDC, 10mA	5VDC, 10mA
Contact Material		Ag Alloy		

Part No.	Product No.	Manufacturer	Description	Outline L*W*H	Contact Arrangement	Contact Rating	Coil Voltage	Recognized Safety	Type
22952	TRD-12D-FB-AL	TTI	TTI Relay	19.0*15.5*15.0mm	1 From A	12A 120VAC/28VDC	12VDC	CUL	TRD
22955	TRD-12D-FB-CD	TTI	TTI Relay	19.0*15.5*15.0mm	1 From C	12A 120VAC/28VDC	12VDC	CUL	TRD
22956	TRD-12D-FB-CL	TTI	TTI Relay	19.0*15.5*15.0mm	1 From C	12A 120VAC/28VDC	12VDC	CUL	TRD
22958	TRD-12D-FC-AL	TTI	TTI Relay	19.0*15.5*15.0mm	1 From A	12A 120VAC/28VDC	12VDC	CUL	TRD
22959	TRD-12D-FC-CD	TTI	TTI Relay	19.0*15.5*15.0mm	1 From C	12A 120VAC/28VDC	12VDC	CUL	TRD
22961	TRD-12D-FC-CL	TTI	TTI Relay	19.0*15.5*15.0mm	1 From C	12A 120VAC/28VDC	12VDC	CUL	TRD
22962	TRD-12D-SB-CL	TTI	TTI Relay	19.0*15.5*15.0mm	1 From C	12A 120VAC/28VDC	12VDC	CUL	TRD
22965	TRD-24D-FB-AL	TTI	TTI Relay	19.0*15.5*15.0mm	1 From A	12A 120VAC/28VDC	24VDC	CUL	TRD
22966	TRD-24D-FB-CL	TTI	TTI Relay	19.0*15.5*15.0mm	1 From C	12A 120VAC/28VDC	24VDC	CUL	TRD
22967	TRD-24D-FC-CD	TTI	TTI Relay	19.0*15.5*15.0mm	1 From C	12A 120VAC/28VDC	24VDC	CUL	TRD
22968	TRD-24D-SB-CD	TTI	TTI Relay	19.0*15.5*15.0mm	1 From C	12A 120VAC/28VDC	24VDC	CUL	TRD
22969	TRD-3D-FB-CL	TTI	TTI Relay	19.0*15.5*15.0mm	1 From C	12A 120VAC/28VDC	3VDC	CUL	TRD
22970	TRD-48D-FB-AL	TTI	TTI Relay	19.0*15.5*15.0mm	1 From A	12A 120VAC/28VDC	48VDC	CUL	TRD
22971	TRD-48D-FB-CL	TTI	TTI Relay	19.0*15.5*15.0mm	1 From C	12A 120VAC/28VDC	48VDC	CUL	TRD
12812	TRD-5D-FB-CL	TTI	PCB Relays	19*15.5*15	1PST	6A/250VAC 12A/120VDC	5VDC	UL, CSA, VDE	TRD
22972	TRD-5D-FC-CL	TTI	TTI Relay	19.0*15.5*15.0mm	1 From C	12A 120VAC/28VDC	5VDC	CUL	TRD
22973	TRD-5D-SB-CL	TTI	TTI Relay	19.0*15.5*15.0mm	1 From C	12A 120VAC/28VDC	5VDC	CUL	TRD
22974	TRD-6D-FB-CL	TTI	TTI Relay	19.0*15.5*15.0mm	1 From C	12A 120VAC/28VDC	6VDC	CUL	TRD
12813	TRD-9VDC-FB-CL	TTI	PCB Relays	19*15.5*15	1PST	6A/250VAC 12A/120VDC	9VDC	UL, CSA, VDE	TRD
22975	TRDT-24D-FC-AL	TTI	TTI Relay	19.0*15.5*15.0mm	1 From A	6A 240VAC/28VDC	24VDC	CUL	TRDT



### MAIN FEATURES

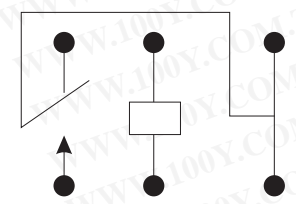
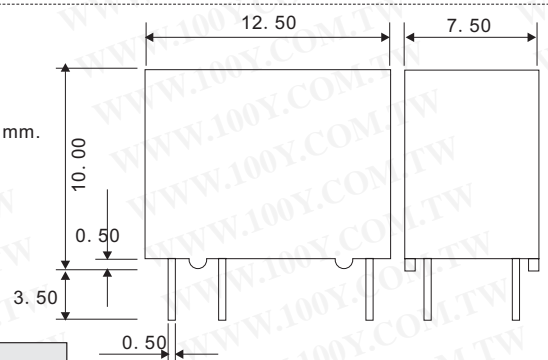
- High Sensitivity : 150 mw.
- 1 Pole Configuration.
- Small Size At 12.5L×7.5W×10H mm.
- Sealed Type Available.
- UL and cUL recognized

### APPLICATIONS

- Telecommunication equipment, Domestic appliance, Office Machine, audio equipment.

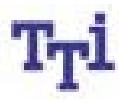
### PERFORMANCE (at initial value)

Item	Type	TRG5
Contact Resistance		100mΩ Max.
Operation Time		5msec Max.
Release Time		5msec Max.
Dielectric Strength Between coil & contact Between contacts		1000VAC 50/60HZ (1 minute) 400VAC 50/60HZ (1 minute)
Insulation Resistance		1000 MΩ Min. (500VDC)
Operating Ambient Temperature		-30°C to +70°C (No water condensation and no water drop)
Operating Humidity		35 to 85% RH
Vibration Endurance Error Operation		10 to 55Hz Single Amplitude 3. 3mm 10 to 55Hz Single Amplitude 3. 3mm



### CONTACT RATING

Item	Type	TRG5
Contact Capacity Resistive Load (cosΨ=1)		0. 5A 125VAC 1A 30VDC 0. 3A 60VDC
Rated Carrying Current		1A
Max. Allowable Voltage		125VAC, 60VDC
Max. Allowable Current		1A
Max. Allowable Power Force		62. 5VA, 30W
Contact Material		Ag (Au plated)
Min permissible load		1 mA at 5VDC



T E L : Taiwan : 886-3-5753170  
 F A X : Taiwan : 886-3-5753172  
 E-mail : Taiwan : [us\\_sale@100y.com.tw](mailto:us_sale@100y.com.tw)

Shenzhen : 86-755-83298787  
 Shenzhen : 86-755-83640655  
 Shenzhen : 100y@163.com

Shanghai : 86-21-54151736  
 Shanghai : 86-21-64605107  
 Shanghai : 100y-1@163.com