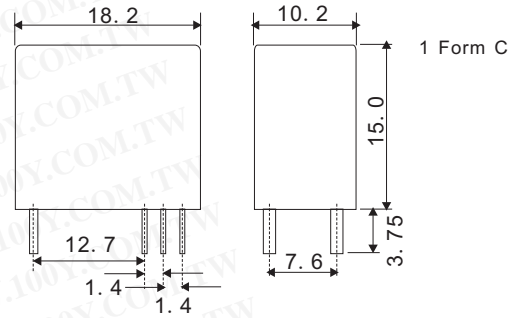
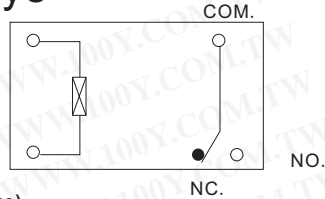




Relays & Solenoids

TTI_PCB Relays

Detailed product specifications are available on: us.100y.com.tw



PERFORMANCE (at initial value)

| Item | Type | TRC | |
|---|------|--|--------------|
| | | 1 Form C | 1 Form A |
| Contact Resistance | | 100mΩ Max. | |
| Operation Time | | 10msec Max. | |
| Release Time | | 4msec Max. | |
| Dielectric Strength Between coil & contact Between contacts | | 2800VAC 1 minute 750VAC/min | 3500VAC 1min |
| Surge Resistiveness | | 5000V | |
| Insulation Resistance | | 100 MΩ Min. (500VDC) | |
| Max. ON/OFF Switching Mechanically Electrically | | 300 operation/min 30 operation/min | |
| Operating Ambient Temperature | | -30°C to +60°C | |
| Operating Humidity | | 45 to 85% RH | |
| Coil Temperature Rise | | 40 deg. Max. (at rated coil voltage) | |
| Vibration Endurance Error Operation | | 10 to 55HZ Double Amplitude 1.5mm 10 to 55HZ Double Amplitude 1.5mm | |
| Shock Endurance Error Operation | | 100G Min. 10G Min. | |
| Weight | | abt. 6grs. | |

CONTACT RATING

| Item | Type | TRC |
|--|------|--|
| Contact Capacity Resistive Load (cosΦ=1) | | 10A 120VAC/28VDC (UL) 5A 240VAC/28VDC (TUV) |
| Rated Carrying Current | | 10A |
| Max. Allowable Voltage | | 265VAC, 30VDC |
| Max. Allowable Current | | 10A |
| Max. Allowable Power Force | | 1200VA, 280W |
| Referenced Min. Applicable Load | | 5VDC, 10mA |
| Contact Material | | Ag Alloy |

| Part No. | Product No. | Manufacturer | Description | Outline L*W*H | Contact Arrangement | Contact Rating | Coil Voltage | Recognized Safety | Type |
|----------|-------------------|--------------|-------------|------------------|---------------------|-----------------------|--------------|-------------------|------|
| 22932 | TRC-12D-FB-AD | TTI | TTI Relay | 18.2*10.0*14.8mm | 1 Form A | 10A 120VAC/28VDC | 12VDC | CUL | TRC |
| 22933 | TRC-12D-FB-AL0.2W | TTI | TTI Relay | 18.2*10.0*14.8mm | 1 Form A | 7A 120VAC/28VDC | 12VDC | CUL | TRC |
| 22934 | TRC-12D-FB-CD | TTI | TTI Relay | 18.2*10.0*14.8mm | 1 Form C | 10A 120VAC/28VDC | 12VDC | CUL | TRC |
| 22935 | TRC-12D-FC-AD | TTI | TTI Relay | 18.2*10.0*14.8mm | 1 Form A | 10A 120VAC/28VDC | 12VDC | CUL | TRC |
| 22936 | TRC-12D-SB-AL0.2W | TTI | TTI Relay | 18.2*10.0*14.8mm | 1 Form A | 7A 120VAC/28VDC | 12VDC | CUL | TRC |
| 3896 | TRC-12VDC-FB-AD | TTI | PCB Relays | 17.5*9.5*14.5 | 1PST | 10A 120Vac/ 10A 28Vdc | 12Vdc | UL, CSA, VDE | TRC |
| 47057 | TRC-12VDC-FB-CD | TTI | RELAY | 17.5*9.5*14.5 | 1 FORM C | 10A 120Vac/ 10A 28Vdc | 12VDC | UL, CSA, VDE | TRC |
| 22939 | TRC-24-FB-AL0.2W | TTI | TTI Relay | 18.2*10.0*14.8mm | 1 Form A | 7A 120VAC/28VDC | 24VDC | CUL | TRC |
| 22940 | TRC-24D-FB-CD | TTI | TTI Relay | 18.2*10.0*14.8mm | 1 Form C | 10A 120VAC/28VDC | 24VDC | CUL | TRC |
| 22941 | TRC-24D-SB-AL0.2W | TTI | TTI Relay | 18.2*10.0*14.8mm | 1 Form A | 7A 120VAC/28VDC | 24VDC | CUL | TRC |
| 22943 | TRC-24D-SB-CD | TTI | TTI Relay | 18.2*10.0*14.8mm | 1 Form C | 10A 120VAC/28VDC | 24VDC | CUL | TRC |
| 22944 | TRC-24D-SC-AD | TTI | TTI Relay | 18.2*10.0*14.8mm | 1 Form C | 10A 120VAC/28VDC | 24VDC | CUL | TRC |
| 22945 | TRC-24D-SC-AL | TTI | TTI Relay | 18.2*10.0*14.8mm | 1 Form A | 7A 120VAC/28VDC | 24VDC | CUL | TRC |
| 12715 | TRC-24VDC-FB-AD | TTI | PCB Relays | 17.5*9.5*14.5 | 1PST | 10A 120Vac/ 10A 28Vdc | 24Vdc | UL, CSA, VDE | TRC |
| 22946 | TRC-5D-FB-AL | TTI | TTI Relay | 18.2*10.0*14.8mm | 1 Form A | 7A 120VAC/28VDC | 5VDC | CUL | TRC |
| 22947 | TRC-5D-FB-CD | TTI | TTI Relay | 18.2*10.0*14.8mm | 1 Form C | 10A 120VAC/28VDC | 5VDC | CUL | TRC |
| 16750 | TRC-5VDC-FB-AD | TTI | PCB Relays | 17.5*9.5*14.5 | 1 Form A | 10A 120Vac/ 10A 28Vdc | 5Vdc | UL, CSA, VDE | TRC |
| 3832 | TRC-5VDC-FB-CD | TTI | PCB Relays | 17.5*9.5*14.5 | 1PDT | 10A 120Vac/ 10A 28Vdc | 5Vdc | UL, CSA, VDE | TRC |
| 48214 | TRC-5VDC-FD-AL | TTI | TTI Relays | 17.5*9.5*14.5 | 1 Form A | | 5Vdc | UL, CSA, VDE | TRC |
| 22948 | TRC-6D-FB-AD | TTI | TTI Relay | 18.2*10.0*14.8mm | 1 Form A | 10A 120VAC/28VDC | 6VDC | CUL | TRC |
| 22950 | TRC-6D-FB-CD | TTI | TTI Relay | 18.2*10.0*14.8mm | 1 Form C | 10A 120VAC/28VDC | 6VDC | CUL | TRC |
| 22951 | TRC-9D-FB-AD | TTI | TTI Relay | 18.2*10.0*14.8mm | 1 Form A | 10A 120VAC/28VDC | 9VDC | CUL | TRC |

We provide a wide range of products to development and maintenance engineers in all type of business

Centenary Materials



T E L : Taiwan: 886-3-5753170
 F A X : Taiwan: 886-3-5753172
 E-mail : Taiwan: us_sale@100y.com.tw

Shenzhen: 86-755-83298787
 Shenzhen: 86-755-83640655
 Shenzhen: 100y@163.com

Shanghai: 86-21-54151736
 Shanghai: 86-21-64605107
 Shanghai: 100y-1@163.com