



Relays & Solenoids

TTI_PCB Relays

Detailed product specifications are available on: us.100y.com.tw



PERFORMANCE (at initial value)

Item	Type	TRA
Shock		
Endurance		100G Min.
Error Operation		13G Min.
Life Expectancy		
Mechanically		50,000,000 ops. Min. (no load)
		2,000,000 ops. Min. (at rated load)
Electrically		10,000,000 ops. Min. (6V 10mA)
Weight		abt. 4.5grs.

CONTACT RATING

Item	Type	TRA, H TYPE
Contact Capacity	Resistive Load (cosΦ=1)	0.1A 125VAC 0.5A 24VDC
Rated Carrying Current		0.5A
Max. Allowable Voltage		120VAC 60VDC
Max. Allowable Current		0.5A
Max. Allowable Power Force		10VA 10W
Referenced Min. Applicable Load		1VDC 1mA

Part No.	Product No.	Manufacturer	Description	Outline L*W*H	Contact Rating	Coil Voltage	Type
22905	TRA-1050(ohm)12VDC	TTI	TTI Relay	25.2*8.1*9.0mm	0.5A/24VDC	12VDC	TRA
22906	TRA-2080(ohm)24VDC	TTI	TTI Relay	25.2*8.1*9.0mm	0.5A/24VDC	24VDC	TRA
22907	TRA-250(ohm)5VDC	TTI	TTI Relay	25.2*8.1*9.0mm	0.5A/24VDC	5VDC	TRA
22910	TRA-250(ohm)6VDC	TTI	TTI Relay	25.2*8.1*9.0mm	0.5A/24VDC	6VDC	TRA
22911	TRA-500(ohm)5VDC	TTI	TTI Relay	25.2*8.1*9.0mm	0.5A/24VDC	5VDC	TRA
22912	TRA-700(ohm)9VDC	TTI	TTI Relay	25.2*8.1*9.0mm	0.5A/24VDC	9VDC	TRA



MAIN FEATURES

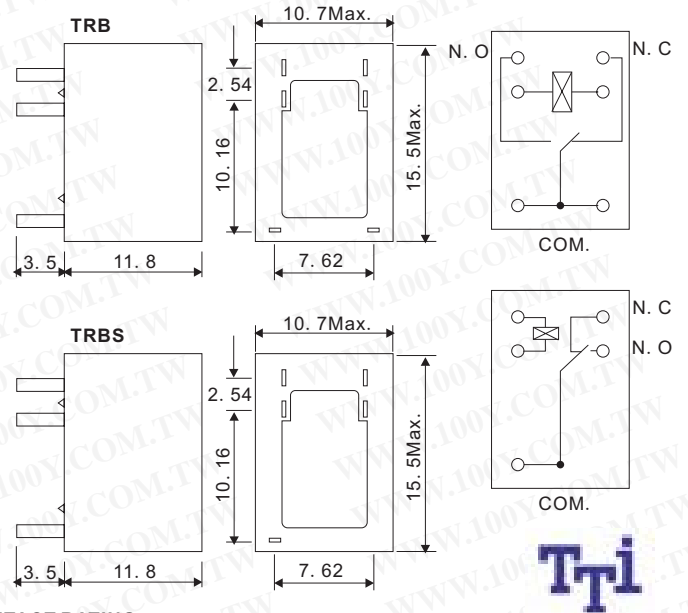
- Subminiature type.
- Silver or silver alloy contacts with gold plated
- Low dissipation
- Sealed type available
- Design conform to foreign safety standard UL.
- UL and cUL recognized

APPLICATIONS

- Microprocessor control, store program exchanger and Household appliance

PERFORMANCE (at initial value)

Item	Type	TRA
Contact resistance		100mΩ Max.
Operation Time		5msec Max.
Release Time		5msec Max.
Dielectric strength		
Between coil & contact		500VAC 50/60HZ (1minute)
Between contacts		500VAC 50/60HZ (1minute)
Surge resistiveness		1000V (between coil & contact 1x40usec)
Insulation resistance		100MΩ Min. (500VDC)
Max. ON/OFF Switching		
Mechanically		300 operation/min
Electrically		30 operation/min
Operating Ambient Temperature		-25°C to +55°C (No water condensation and no water drop)
Operating humidity		45 to 85% RH
Coil temperature rise		40 deg. Max. (at rated coil voltage)
Vibration		
Endurance		10 to 55HZ Single amplitude 0.35mm
Error operation		10 to 55HZ Single amplitude 0.35mm
Shock		
Endurance		50G Min.
Error operation		10G Min.
Life expectancy		
Mechanically		10x10 ⁶ operations Min. (no load)
Electrically		10x10 ⁴ operations. Min. (at rated coil voltage)
Weight		Abt. 3.5grs.



CONTACT RATING

Item	Type	TRBS-A	TRB-B3	TRB-B5
		1 Amp type	3 Amp type	5 Amp type
Contact Capacity		Coil=0.2W	Coil=0.36W	Coil=0.45W
Resistive Load (cosΦ=1)		1A 125VAC 1A 30VDC	3A 125VAC 3A 30VDC	5A 125VAC 5A 14VDC
Inductive Load (cosΦ=0.4 L/R=7msec)		0.3A 125VAC 0.3A 30VDC		
Rated Carrying Current		1A	3A	5A
Max. Allowable Voltage		125VAC, 30VDC		
Max. Allowable Current		1A	3A	5A
Max. Allowable Power Force		125VA, 30W	375VA, 90W	625VA, 70W
Contact material		Ag alloy		

Part No.	Product No.	Manufacturer	Description	Outline L*W*H	Contact Arrangement	Contact Rating	Coil Voltage	Recognized Safety	Type
22913	TRB-12D-SA-CL0.2W	TTI	TTI Relay	15.5*10.7*11.8mm	1 From C	1A 125VAC/30VDC	12VDC	CUL	TRB
16377	TRB-12D-SB3-CD	TTI	"TTI" PCB Relays	15.5*10.7*15.3mm	1 From C	1 A 120VAC/24VDC	12VDC	UL,CUL	TRB
22914	TRB-12D-SB3-CD0.3 6W	TTI	TTI Relay	15.5*10.7*11.8mm	1 From C	3A 125VAC/30VDC	12VDC	CUL	TRB
22919	TRB-24D-SA-CL	TTI	TTI Relay	15.5*10.7*11.8mm	1 From C	1A 125VAC/30VDC	24VDC	CUL	TRB
22915	TRB-24D-SB3-CD0.3 6W	TTI	TTI Relay	15.5*10.7*11.8	1 From C	3A 125VAC/30VDC	24VDC	CUL	TRB
44971	TRB-24VDC-SB-CL	TTI	TTI Relay	15.5*10.7*11.8mm	1 From C	1A 125VAC/30VDC	24VDC	CUL	TRB



T E L : Taiwan : 886-3-5753170
 F A X : Taiwan : 886-3-5753172
 E-mail : Taiwan : us_sale@100y.com.tw

Shenzhen : 86-755-83298787
 Shenzhen : 86-755-83640655
 Shenzhen : 100y@163.com

Shanghai : 86-21-54151736
 Shanghai : 86-21-64605107
 Shanghai : 100y-1@163.com