



Relays & Solenoids

TTI_PCB Relays

Detailed product specifications are available on: us.100y.com.tw

Part No.	Product No.	Manufacturer	Description	Outline L*W*H	Contact Arrangement	Contact Rating	Coil Voltage	Type
22886	TR93F-12D-SC-C	TTI	TTI Relay	28*28*41mm	1 From C	30A/14VDC	12VDC	TR93F
22887	TR93F-12VDC-SC-A	TTI	TTI Relay	28*28*41	1 From A	40A/14VDC	12VDC	TR93F
22888	TR93F-24D-SC-A	TTI	TTI Relay	28*28*41	1 From A	40A/14VDC	24VDC	TR93F



MAIN FEATURES

- Plug-in terminals, easy to handle worldwide changeable, with ISO socket.
- 1 Form A.
- Optional mounting bracket.
- Small size, high capacity, rated load 70A.
- Usage of relay in car

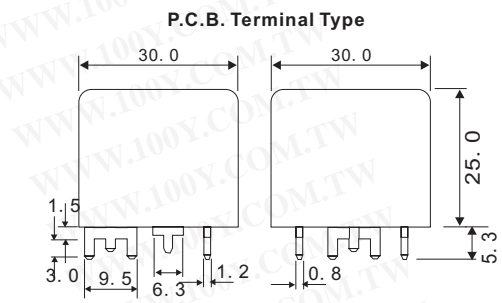
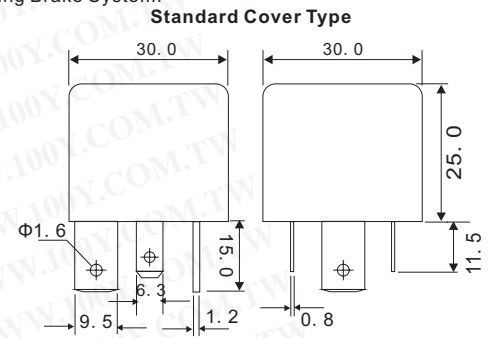
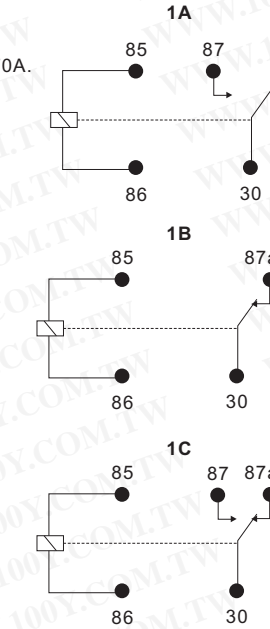
APPLICATIONS

- For direct connection with Cell Motors, Transmission, etc. and Anti-Locking Brake System.



PERFORMANCE (at initial value)

Item	Type	TR94
Contact Resistance		100mΩ Max.
Operation Time		15msec Max.
Release Time		15msec Max.
Dielectric Strength Between coil & contact Between contacts		500VAC 50/60Hz (1 minute) 500VAC 50/60Hz (1 minute)
Insulation Resistance		100 MΩ Min. (500VDC)
Max. ON/OFF Switching Mechanically Electrically		300 operation/min 30 operation/min
Operating Ambient Temperature		-30°C to +80°C (No water drop condensation)
Operating Humidity		45 to 80% RH
Coil Temperature Rise		60 deg. Max. (at rated coil voltage)
Vibration Endurance Error Operation		10 to 55Hz Double Amplitude 1.5mm 10 to 55Hz Double Amplitude 1.5mm
Shock Endurance Error Operation		100G Min. 10G Min.
Life Expectancy Mechanically Electrically		10x10 ⁶ ops. 10x10 ⁶ ops.
Weight		abt. 40grs.



CONTACT RATING

Contact Form	1 Form A
Contact Rating	80A 14VDC
Max. Carrying Current	80A
Max. Make Current	120A
Max. Break Current	80A
Initial Voltage Drop	200 mV (at 80A)
Max. Switching Voltage	75VDC
Max. Switching Power	60-800Watts DC
Contact Material	Silver Alloy

Part No.	Product No.	Manufacturer	Description	Outline L*W*H	Contact Arrangement	Contact Rating	Coil Voltage	Type
22889	TR94-12D-PC-A	TTI	TTI Relay	30*30*25mm	1 From A	70A/14VDC	12VDC	TR94
22890	TR94-12D-PC-C	TTI	TTI Relay	30*30*25mm	1 From C	70A/14VDC	12VDC	TR94
22892	TR94-12D-SC-A	TTI	TTI Relay	30*30*25mm	1 From A	70A/14VDC	12VDC	TR94
22895	TR94-24D-PC-A	TTI	TTI Relay	30*30*25mm	1 From A	70A/14VDC	24VDC	TR94
22896	TR94-24D-PC-C	TTI	TTI Relay	30*30*25mm	1 From C	70A/14VDC	24VDC	TR94
47846	TR94-24D-SC-C	TTI	TTI Relay	30*30*25mm	1 From C	70A/14VDC	24VDC	TR94



MAIN FEATURES

- Small size and low cost.
- Low coil power consumption.
- PCB mounting.
- Switching capacity from 1A to 5A.
- Sealed type available.

APPLICATIONS

- Audio equipment.
- Communication equipment.
- Remote control.
- Acoustic controlled toys.

