

Relays & Solenoids

Bestar_PCB Relays

Detailed product specifications are available on: us.100y.com.tw



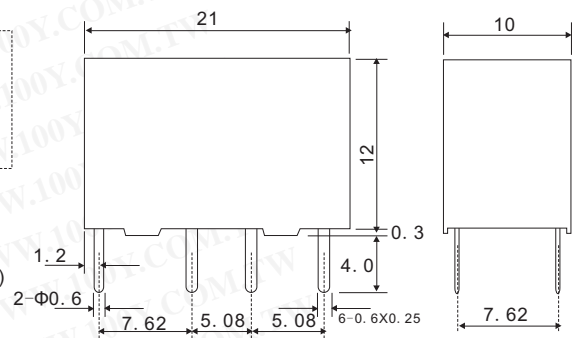
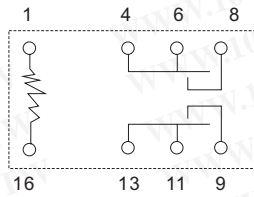
FEATURES

- 2 Form C Contact
- DIL Pitch terminals
- Fully sealed
- Application: Household Electric Appliance, Automatic System, Remote Control
- UL File No. E147052

SPECIFICATIONS

Contact Material: Ag (Au clad)
 Contact Resistance: Max. 80m Ω (initial)
 Surge Strength: 1500V
 Operate Time : Max. 6m Sec
 Release Time : Max. 5m Sec
 Ambient Temperature: -30 °C ~ +70 °C
 Insulation Resistance : Min. 1000M Ω at 500VDC

Vibration Resistance: 1.5mm D.A. 10-55HZ
 Mechanical Life : 1X10⁷ operations (at no load)
 Electrical Life (Resistive Load): 1X10⁵ operations (at rated load)
 Weight : Approx. 5g



Part No.	Product No.	Manufacturer	Description	Coil Voltage	Contact Arrangement	Contact Rating	Recognized Safety
47165	BTL-12	Bestar	Ultra-Miniature Relay	12V	2A	2 Form C Contact	UL



FEATURES

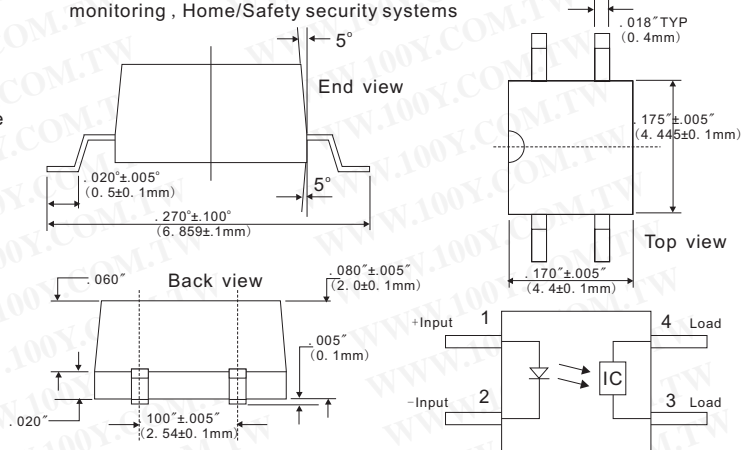
- High input-to-output isolation
- Low input control power consumption
- 100mA maximum continuous load current
- 35 ohms maximum on-resistance
- Long life/high reliability
- Ultra miniature 4-pin small outline package

DESCRIPTION

The M211 is a bi-directional, single-pole, single-throw, normally open multipurpose solid-state relay in a miniature 4-pin small outline package. It is designed to replace electromechanical relays in general purpose switching applications. The relay consists of an integrated circuit that drives two rugged source-to-source enhancement type DMOS transistors -optically coupled to a light emitting diode. The output MOS transistors are protected with free-wheeling diodes that can handle up to 1.5A of inrush current, making the relay ideal for switching lamps and highly inductive loads.

Application

Telecom switching, Tip/Ring control , PCMCIA modules , Multiplexers , Meter reading systems, Data acquisition , Medical equipment, Battery monitoring , Home/Safety security systems



Part No.	Product No.	Manufacturer	Description	Contact Arrangement	Recognized Safety
47265	M211	Bestar	Solid State Relay	100mA	BS EN 60950, 41003, 60065

SUN HOLD_PCB Relays

Detailed product specifications are available on: us.100y.com.tw

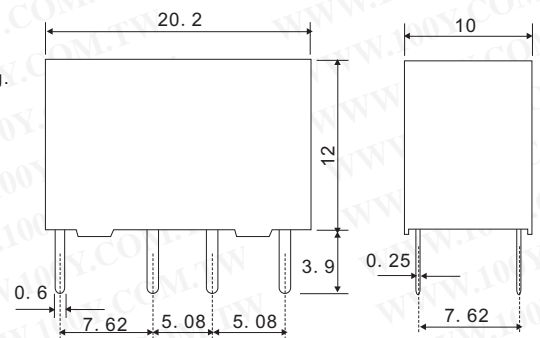
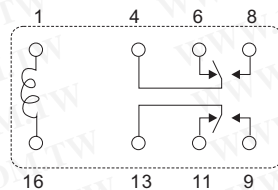


FEATURES

- 2pole Relay suitable for single circuit.
- Plastic epoxy resin sealed type for washing procedure.
- Small size and lightweight can provide high density PCB mounting.
- DIL pitch terminal.

PERFORMANCE (at initial value)

Contact Resistance: 100mΩ Max. (initial value)
 Operate Time: 6msec Max.
 Release Time: 4msec Max.
 Insulation Resistance: 100MΩ Min. (DC 500V)
 Operating Ambient Temperature: -40°C ~ +80°C
 Humidity: 35 to 85% RH
 Vibration Resistance: 10G (10~55Hz)(Dual amplitude: 1.5mm)
 Shock Resistance: 10G
 Life Expectancy
 Mechanically : 10,000,000 ops. Min. (1800 ops./h)
 Electrically : 100,000 ops. Min. (1200 ops./h)
 Weight: 5g (about)



Part No.	Product No.	Manufacturer	Description	Type	Contact Rating	Coil Voltage	Recognized Safety	Outline L*W*H
44715	TDS-1202L	SUN HOLD	SUN HOLD_PCB Relay	TDS	DC24V 2A/AC120V 1A	12Vdc	UL_CUR	20.2*10*12mm

