



Relays & Solenoids

Bestar_PCB Relays

Detailed product specifications are available on: us.100y.com.tw



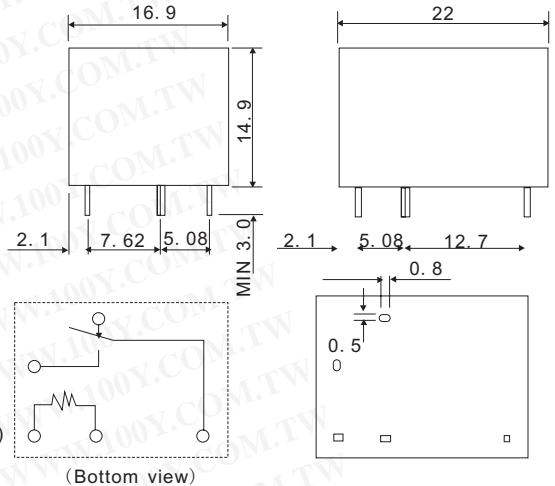
FEATURES

- Sub-miniature size (22×17×14.9mm)
- Large Switching Capacity up to 10A
- Power consumption of 450mW & 330mW
- Application: Power supply, UPS, Security alarm system, and TV control units, etc...
- UL File No. E147052
- CSA File No. LR76479-1

SPECIFICATIONS

Contact Material: AgCdO
 Contact Rating (at Resistive Load) : 10A 120VAC/28VDC 5A 240VAC
 Max. Switching Voltage : 240VAC, 60VDC
 Max. Switching Current : 10A
 Min. Switching Load : 100mA 5VDC
 Contact Resistance : Max. 100m Ω (initial)
 Insulation Resistance : Min. 1000M Ω at 500VDC
 Surge Strength : 2500V
 Operate Time : Max. 7mSec.
 Release Time : Max. 4mSec.

Ambient Temperature: -30 °C ~ +60 °C
 Vibration Resistance (Endurance) : 1.5mm D.A. 10-55HZ
 Shock Resistance : Min. 10G Unerror
 Mechanical Life : 1×10⁷ operations (at no load)
 Electrical Life : 1×10⁵ operations (at rated load)
 Weight : Approx. 10g



Part No.	Product No.	Manufacturer	Description	Coil Voltage	Contact Arrangement	Contact Rating	Outline L*W*H	Recognized Safety
47171	BS-114-10A	Bestar	Sub-Miniature Relay	See Coil Rating	10A	1 Form C	22×17×14.9mm	UL/CSA



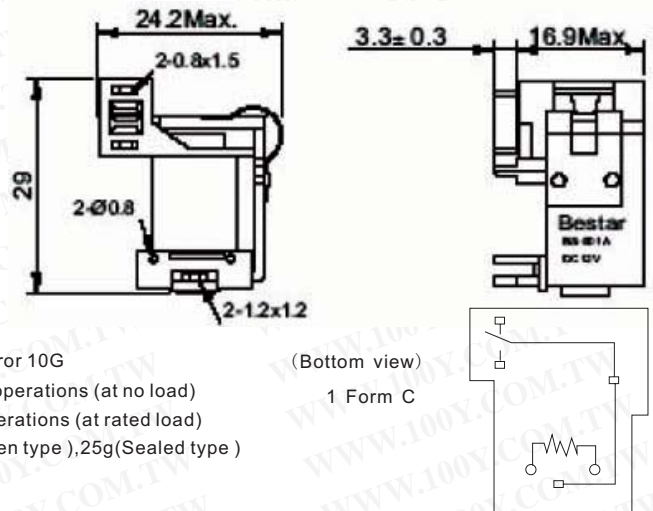
FEATURES

- Designed for the Appliance Industry and Heating, Ventilating and Air-Conditioning
- Switching Capacity up to 30A
- UL File No. E147052
- CSA File No. LR76479-1

SPECIFICATIONS

Contact Material: AgCdO
 Contact Resistance : Max. 100m Ω (initial)
 Max. Switching Current : 20A
 Max. Switching Voltage : 240VAC, 110VDC
 Min. Switching Load : 1A 5VDC, or 12VDC
 Insulation Resistance : Min. 1000M Ω at 500VDC
 Operate Time : Max. 15mSec.
 Release Time : Max. 10mSec.
 Ambient Temperature : -55 °C ~ +85 °C
 Vibration Resistance (Endurance) : 1.0mm D.A. 10-55HZ

Shock Resistance : Unerror 10G
 Mechanical Life : 1×10⁷ operations (at no load)
 Electrical Life : 1×10⁵ operations (at rated load)
 Weight : Approx. 20g (Open type), 25g (Sealed type)



Part No.	Product No.	Manufacturer	Description	Coil Voltage	Contact Arrangement	Contact Rating	Recognized Safety
47181	BS-901CS-12VDC	Bestar	PC Board Relay	12V	30A	1 Form C	UL/CSA

FEATURES

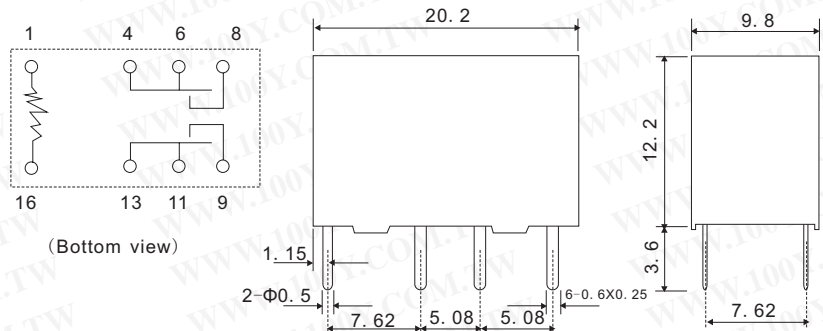
- 2 Form C Contact
- DIL Pitch Terminals
- High Reliability Bifurcated Contact
- Conforms to FCC Part 68 1500V Surge and Dielectric Strength 1000VAC
- Fully sealed
- UL File No. E147052

SPECIFICATIONS

Contact Type : Bifurcated
 Contact Material : AgPd+Au Clad
 Contact Resistance : Max. 60m Ω (initial)
 Surge Strength : 1500V
 Operate Time : Max. 6m Sec
 Ambient Temperature : -30°C ~ +80°C
 Insulation Resistance : Min. 1000M Ω at 500VDC
 Vibration Resistance : 1.5mm D.A 10-55HZ

Mechanical Life : 2×10⁷ Operations (at no load)
 Electrical Life (Resistive Load) : 2×10⁶ Operations at 1mA 20m VAC
 2×10⁶ Operations at 20mA 20 VDC
 1×10⁵ Operations at 1.25A 24 VDC
 1×10⁵ Operations at 0.5A 100 VAC
 Weight : Approx. 6g

Contact Rating (at Resistive Load) :
 Max. Switching Voltage : 220VAC, 150VDC
 Max. Switching Current : 2A
 Max. Switching Power : 30W (DC), 50VA (AC)



Part No.	Product No.	Manufacturer	Description	Coil Voltage	Contact Arrangement	Contact Rating	Outline L*W*H	Recognized Safety
2235	BT-24S	Bestar	Telecom Relay	24V	2 Form C	1.25A 24VDC 0.5A 100VAC	20.2*9.8*12.2mm	UL File No. E147052
47030	BT-5S	Bestar	Bestar_BT Telecom Relay	5V	2A	2 Form C Contact		UL

