



# Relays & Solenoids

## Bestar\_PCB Relays

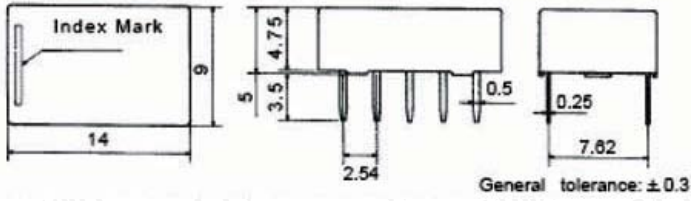
Detailed product specifications are available on: [us.100y.com.tw](http://us.100y.com.tw)



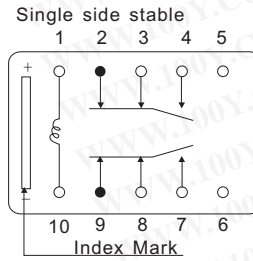
### SPECIFICATIONS

Max.Rating (at Resistive Load)  
 Max.Switching Voltage : 250VAC,220VDC  
 Max.Switching Current : 1A  
 Max.Switching Power : 30W(DC)/62.5 VA(AC)  
 Min.Switching Load : 0.01mA 10mVDC (Reference Value)  
 Operate Time (at nominal Voltage) : Approx.2ms  
 Release Time(at nominal Voltage) : Approx.1ms

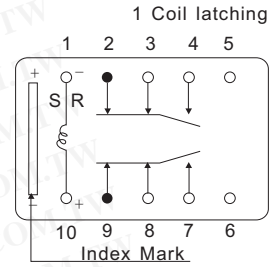
Set Time(latching)(at nominal Voltage) : Approx.2ms  
 Reset Time (latching) : Approx.2ms  
 Ambient Temperature : -40 °C ~+ 70 °C  
 Insulation Resistance: Min.1000M O at 500VDC  
 Mechanical Life : 1×10<sup>8</sup> (at no load)  
 Weight : Approx. 1.5g



(Bottom view)



(De-energized position)



(Reset position)

Part No.	Product No.	Manufacturer	Description	Coil Voltage	Contact Arrangement	Contact Rating	Outline L*W*H	Recognized Safety
37157	BP-5	Bestar	PCB Single Side Stable Telecom Relay	5V	2 Form C	1A 30VDC/0.5A 125VAC	14*6*4.75mm	UL
37156	BPL-12	Bestar	1Coil Latching Telecom Relay	12V	2 Form C	1A 30VDC/0.5A 125VAC	14*9*4.75mm	UL recognized

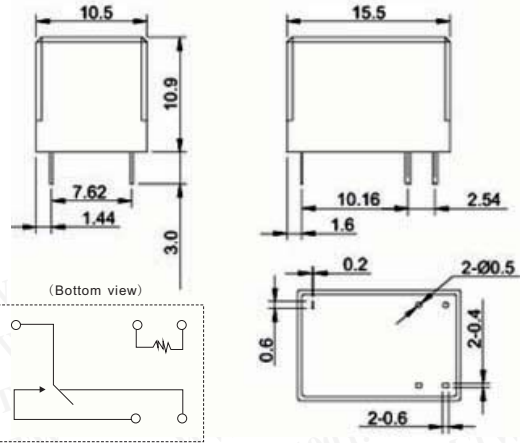
### FEATURES

- SPDT(1 Form C) suitable for medium current rating at 2 Amps
- Small size(15.5×10.5×10.9mm)
- Power consumption of standard type 450mW and high
- DIL terminal
- Application : OA equipment, Security alarm system
- UL File No.E147052
- CSA File No. LR76479-1

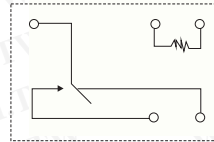
### SPECIFICATIONS

Contact Material : Ag Alloy  
 Contact Rating(at Resistive Load) : 1A 24VDC  
 1A 120VAC  
 Max.Switching Voltage : 240VAC,60VDC  
 Max.Switching Current : 2A  
 Min.Switching Load : 100mA 5VDC  
 Contact Resistance : Max. 100m Ω (initial)  
 Insulation Resistance: Min. 100m Ω at 500VDC  
 Surge Strength: 1000V  
 Operate Time : Max.7mSec.

Release Time : Max.6mSec.  
 Ambient Temperature : -25°C ~+50°C  
 Vibration Resistance(Endurance) : 1.5mm D.A.  
 10-55HZ  
 Shock Resistance : Min. 10G Unerror  
 Mechanical Life : 1×10<sup>7</sup> operations (at no load)  
 Electrical Life : 1×10<sup>5</sup> operations (at rated load)  
 Weight : Approx.3.5g



(Bottom view)



Part No.	Product No.	Manufacturer	Description	Coil Voltage	Contact Arrangement	Contact Rating	Outline L*W*H	Recognized Safety
47160	BS-101	Bestar	Bestar_BS-101 Ultra-Miniature Relay	See Coil Rating	2A	1 Form C	15.5*10.5*10.9mm	UL/CSA

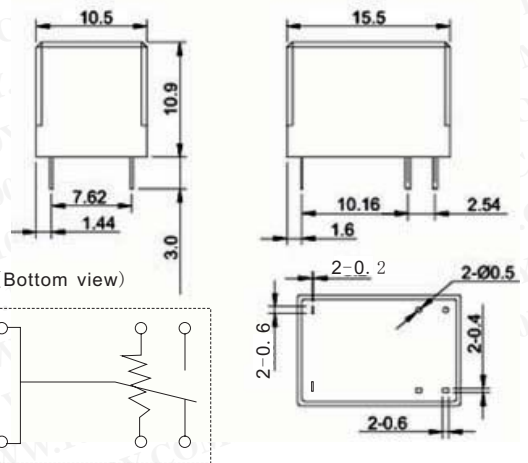
### FEATURES

- SPDT(1 Form C) suitable for medium current rating at 2 Amps
- Small size(15.5×10.5×10.9mm)
- Power consumption of standard type 360mW and high sensitivity type 200mW
- DIL terminal
- Application : OA equipment, Security alarm system
- UL File No.E147052

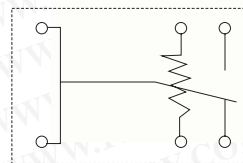
### SPECIFICATIONS

Contact Material : AgAlloy  
 Contact Rating(at Resistive Load) : 2A 24VDC  
 2A 120VAC  
 Max.Switching Voltage : 240VAC,60VDC  
 Max.Switching Current : 2A  
 Min.Switching Load : 100mA 5VDC  
 Contact Resistance : Max. 100m Ω (initial)  
 Insulation Resistance: Min. 100M Ω at 500VDC  
 Surge Strength: 1000V  
 Operate Time : Max.7mSec.

Release Time : Max.6mSec.  
 Ambient Temperature : -25 °C ~+ 50 °C  
 Vibration Resistance(Endurance) : 1.5mm D.A.  
 10-55HZ  
 Shock Resistance : Min. 10G Unerror  
 Mechanical Life : 1×10<sup>7</sup> operations (at no load)  
 Electrical Life : 1×10<sup>5</sup> operations (at rated load)  
 Weight : Approx.3.5g



(Bottom view)



Part No.	Product No.	Manufacturer	Description	Coil Voltage	Contact Arrangement	Contact Rating	Outline L*W*H	Recognized Safety
2891	BS-102-12	Bestar	Bestar_PCB Relays	12Vd c	1 Form C	1A 120Vac/ 2A 24Vdc	15.5*10.5*11.3	UL,CSA
2890	BS-102-5	Bestar	Bestar_PCB Relays	5Vdc	1 Form C	1A 120Vac/ 2A 24Vdc	15.5*10.5*11.3	UL,CSA



T E L : Taiwan : 886-3-5753170  
 F A X : Taiwan : 886-3-5753172  
 E-mail : Taiwan : [us\\_sale@100y.com.tw](mailto:us_sale@100y.com.tw)

Shenzhen : 86-755-83298787  
 Shenzhen : 86-755-83640655  
 Shenzhen : 100y@163.com

Shanghai : 86-21-54151736  
 Shanghai : 86-21-64605107  
 Shanghai : 100y-1@163.com