



Relays & Solenoids

Takamisawa_PCB Relays

Detailed product specifications are available on: us.100y.com.tw



SPECIFICATIONS

Contact

Arrangement: 1 form A (SPST-NO) or 1 form C (SPDT)
 Material: Silver alloy
 Style: Single
 Resistance (initial): Maximum 200 m (at 1 A 6 VDC)
 Rating (resistive): 16 A 250 VAC/30 VDC
 Maximum Carrying Current: 16 A
 Maximum Switching Power: 4,000 VA, 480 W
 Maximum Switching Voltage: 380 VAC, 150 VDC
 Maximum Switching Current: 16 A
 Minimum Switching Load^{*1}: 100 mA 5 VDC

Coil

Nominal Power (at 20°C): 0.7 to 0.75 W
 Nominal Voltage (at 20°C): 0.35 to 0.37 V
 Operating Temperature: -40°C to +65°C (no frost)

Time Value

Operate (at nominal voltage): Maximum 15 ms
 Release (at nominal voltage): Maximum 10 ms

Life

Mechanical: 2×10^7 operations minimum
 Electrical: 1×10^5 operations minimum (contact rating)

Other

Weight: Approximately 18 g

| Part No. | Product No. | Manufacturer | Description | Coil Voltage | Contact Arrangement | Contact Rating | Recognized Safety | Type |
|----------|-------------|--------------|--------------------------------|--------------|---------------------|---------------------|-------------------|------|
| 39682 | VSB-24TB | TAKAMISAWA | TAKAMISAWA_VSB24TB POWER RELAY | 24VDC | 1 form C (SPDT) | 16 A 250 VAC/30 VDC | UL,CSA,VDE,SEV | VSB |

Bestar_PCB Relays

Detailed product specifications are available on: us.100y.com.tw



FEATURES

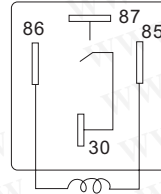
- High Capacity up to 30 Amps
- DIN Pitch Terminals
- Quick connect, PCB and Bracket type mounting method available for your choice
- Application for Car Compressors, Fog Lights, Starters and Horns etc...

SPECIFICATIONS

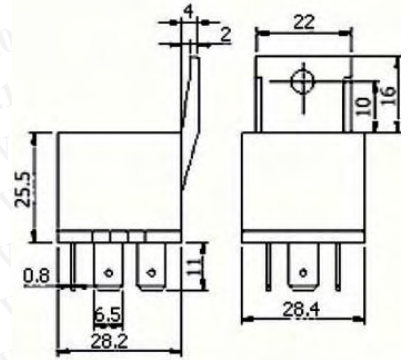
Contact Arrangement: 1 Form A
 Contact Material: AgSnO₂
 Contact Rating(at Resistive Load): 40A 12VDC
 Max.Switching Voltage: 30VDC
 Contact Resistance: Max. 50m Ω (initial)
 Insulation Resistance: Min. 100M Ω at 500VDC
 Operate Time: Max. 10mSec.
 Release Time: Max. 10mSec.

Ambient Temperature: -25 °C + 80 °C
 Vibration Resistance(Endurance): 10-60 HZ 40m/s
 Shock Resistance: Min. 10G Unerrror
 Mechanical Life : 1×10^7 operations (at no load)
 Electrical Life : 1×10^5 operations (at rated load)
 Weight : Approx. 32g(w/o bracket), 35g(with bracket)

(Bottom view)



(1A)



| Part No. | Product No. | Manufacturer | Description | Coil Voltage | Contact Arrangement | Contact Rating |
|----------|-------------------|--------------|------------------|--------------|---------------------|----------------|
| 47248 | BC-503-1A-12VDC-P | Bestar | Automotive Relay | 12V | 40A | 1 Form A |



FEATURES:

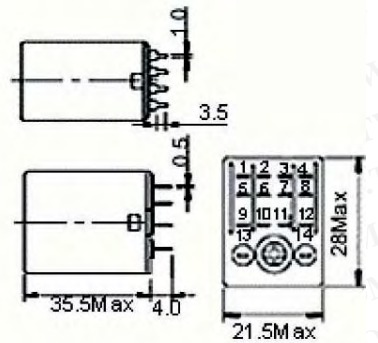
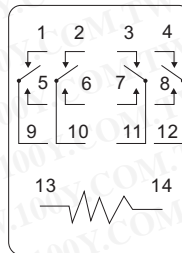
- Miniature size (28×21.5×35.5mm)
- High Switching capacity up to 5A
- UL File No. E147052

SPECIFICATIONS

Contact Arrangement: 2 Form C, 4 Form C
 Contact Material: AgCdO
 Contact Rating (at Resistive Load): 5A 220VAC/24VDC
 Max.Switching Voltage: 250VAC, 24VDC
 Max.Switching Current: 5A
 Contact Resistance : Max. 50m Ω (initial)
 Insulation Resistance: Min. 1000M Ω at 500VDC

Operate Time: Max. 10mSec.
 Release Time: Max. 10mSec.
 Ambient Temperature: -55 °C ~ +55 °C
 Mechanical Life : 2×10^7 Operations (at no load)
 Electrical Life : 1×10^5 Operations (at rated load)
 Weight : Approx. 37g

(Bottom view)



| Part No. | Product No. | Manufacturer | Description | Coil Voltage | Contact Arrangement | Contact Rating | Outline L*W*H | Recognized Safety |
|----------|---------------|--------------|-------------|--------------|---------------------|----------------|----------------|-------------------|
| 47256 | BMY-4CP-12VDC | Bestar | Power Relay | 12V | 5A | 4 Form C | 28×21.5×35.5mm | UL |



FEATURES

- Compact Size and low profile
- Conforms to FCC Part 68 1500V Surge and Dielectric strength 1000V
- DIL Pitch Terminal
- Fully Sealed
- UL recognized
- Single and double Coil latching Type available
- High Sensitivity: 140mW Nominal Power

SPECIFICATIONS

Contact Arrangement: 2 Form C
 Contact Type: Bifurcated Crossbar
 Contact Material :
 Movable Contact: AgPd
 Stationary Contact : AgPd+Au Clad
 Contact Resistance : Max. 50m Ω (initial)
 Contact Rating(at Resistive Load): 1A 30VDC/0.5A 125VAC

