



# Relays & Solenoids

## Takamisawa\_PCB Relays

Detailed product specifications are available on: [us.100y.com.tw](http://us.100y.com.tw)



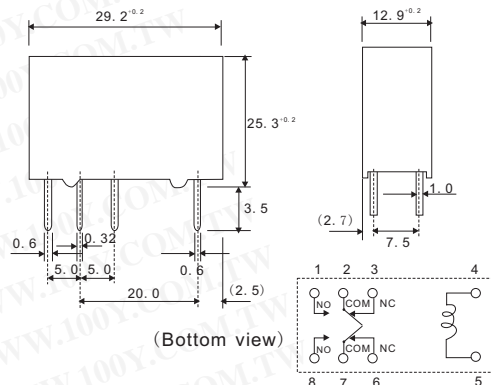
Takamisawa\_SZ12W-K PCB Relay



Part No.	Product No.	Manufacturer	Description	Coil Voltage
29351	SZ-12W-K	TAKAMISAWA	Takamisawa_SZ12W-K PCB Relay	12V

**FEATURES:**

- UL, CSA, VDE, SEV, SEMKO, FIMKO, IMQ recognized TV-3 rated
- Working class: C
- UL class B (130°C) insulation
- Type of service: continuous duty
- Heavy duty miniature slim type power relay
- High isolation in small package
  - Insulation distance: 8 mm
  - Dielectric strength: 5,000 VAC (between coil and contacts)
  - Surge strength: 10,000 V
- Standard and high sensitivity types available
- Flux free type and plastic sealed type available



(Bottom view)



**SPECIFICATIONS**

**Contact**

Arrangement: 2 form A (DPST-NO) or 2 form C (DPDT)  
 Material: Silver-cadmium oxide  
 Style: Single  
 Resistance (initial) (at 1 A 6 VDC): Maximum 200 mΩ  
 Rating (resistive): 5 A 240 VAC/24 VDC  
 Maximum Carrying Current: 7 A  
 Maximum Switching Power: 1,200 VA, 120 W  
 Maximum Switching Voltage: 380 VAC, 150 VDC  
 Maximum Switching Current: 5 A  
 Minimum Switching Load\*1: 100 mA 5 VDC (VB-M, 5, E) 10 mA 5 VDC (VB-)

**Coil**

Nominal Power (at 20°C): Standard type: 0.70 to 0.75 W, high sensitivity type: 0.53 W  
 Operate Power (at 20°C): Standard type: 0.35 to 0.37 W, high sensitivity type: 0.26 W  
 Operating Temperature: Standard type: -40°C to +65°C, high sensitivity type: -40°C to +75°C (no frost)

**Time Value**

Operate (at nominal voltage): Maximum 15 ms  
 Release (at nominal voltage): Maximum 10 ms

**Life**

Mechanical: 2 x 10<sup>7</sup> operations minimum

**Other**

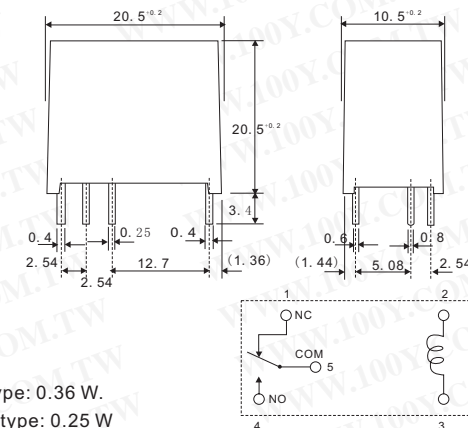
Vibration Resistance  
 Misoperation: 10 to 55 Hz (double amplitude of 1.5 mm)  
 Endurance: 10 to 55 Hz (double amplitude of 1.5 mm)  
 Weight: Approximately 17 g

Part No.	Product No.	Manufacturer	Description	Coil Voltage	Contact Arrangement	Contact Rating	Type
22071	VB-12TBU-5-12VDC	TAKAMISAWA	Takamisawa_VB12TBU-5-12VDC Relay	12Vdc	1/6HP, 120V/240Vdc	5A,2.4Vdc/240Vac	VB



**FEATURES**

- UL, CSA, VDE recognized
- 1 form A (SPST-NO) or 1 form C (SPDT) contact
- Low cost, miniature relay with big performance in small package
  - Surge strength: 4,000 V or 6,000 V
- Slim type—meets high density mounting requirement
- Wide operating range
- Easy circuit design with completely separated terminal arrangement (coil and contact terminals)
- Plastic sealed type
- Lead free since date code: 0434R  
Please see page 7 for more information



**Coil**

Nominal Power (at 20°C): Standard type: 0.36 W, High sensitivity type: 0.25 W  
 Operate Power (at 20°C): Standard type: 0.177 W, High sensitivity type: 0.13 W  
 Operating Temperature: Standard: -40°C to +85°C, High sensitivity: -40°C to +90°C (no frost)

**Time Value**

Operate (at nominal voltage): Maximum 10 ms  
 Release (at nominal voltage): Maximum 5 ms

**Life**

Mechanical: 1 x 10<sup>7</sup> operations minimum  
 Electrical (at Rating): Standard Type: 1 x 10<sup>5</sup> ops. min.  
 High sensitivity type: 5 x 10<sup>4</sup> ops. Min.

**Other**

Weight: Approximately 8 g

**SPECIFICATIONS**

**Contact**

Arrangement: 1 form C (SPDT)  
 Material: Gold overlay silver nickel, silver nickel  
 Style: Single  
 Resistance (initial) (at 1 A 6 VDC): Maximum 70 m (VE-HM, H) Maximum 100 m (VE-HME, HE)  
 Rating (resistive): 5 A 250 VAC (N.O.) 3 A 250 VAC (N.C.)  
 Maximum Carrying Current: 7 A  
 Maximum Switching Power: 1,250 VA (N.O.) 750 VA (N.C.)  
 Maximum Switching Voltage: 250 VAC, 150 VDC  
 Maximum Switching Current: 5 A (N.O.) 3 A (N.C.)  
 Minimum Switching Load\*1: 10 mA, 5 VDC (VE-HM, H), 100 mA 5 VDC (VE-HME, HE, HM5, H5)

Part No.	Product No.	Manufacturer	Description	Coil Voltage	Contact Arrangement	Contact Rating	Outline L*W*H	Recognized Safety	Type
38993	VE-12H5-K	TAKAMISAWA	TAKAMISAWA_VE12H5-K Relay	12VDC	1 Form C (SPDT)	1/10HP 125V/250VAC	20.5*10.5*23.9	VDE,UL,CSA	VE

• If you cannot find the components you want on the catalogue, please call us.



Taiwan: 886-3-5753170

Shanghai: 021-54151736 Shenzhen: 0755-83298787

**Centenary Materials**

Waiting for your phone call



T E L : Taiwan: 886-3-5753170  
 F A X : Taiwan: 886-3-5753172  
 E-mail : Taiwan: us\_sale@100y.com.tw

Shenzhen: 86-755-83298787  
 Shenzhen: 86-755-83640655  
 Shenzhen: 100y@163.com

Shanghai: 86-21-54151736  
 Shanghai: 86-21-64605107  
 Shanghai: 100y-1@163.com