



Relays & Solenoids

Takamisawa_PCB Relays

Detailed product specifications are available on: us.100y.com.tw



FEATURES:

- Subminiature size
 - Standard and high sensitivity types available
 - UL, CSA recognized
 - FCC rules and regulations part 68
 - Dielectric strength 1,500 V between coil and contacts
 - High reliability-bifurcated contacts available
 - DIL pitch terminals
 - Plastic sealed type
 - RoHS compliant since date code: 0437L2
- Please see page 6 for more information

SPECIFICATIONS

Contact

Arrangement : 1 form C (SPDT)
 Material : Gold overlay silver-palladium
 Resistance (initial) : Maximum 100 mΩ (at 1 A 6 VDC)
 Rating (resistive) : 1 A 24 VDC 0.5 A 120 VAC
 Maximum Carrying Current : 2 A
 Maximum Switching Power : 60 AV/24 W
 Maximum Switching Voltage : 120 VAC, 60 VDC
 Maximum Switching Current : 1 A
 Capacitance (at 10 MHz) : Approximately 0.8 pF
 (between open contacts, adjacent contacts)
 Approximately 7.5 pF (between coil and contacts)

Coil

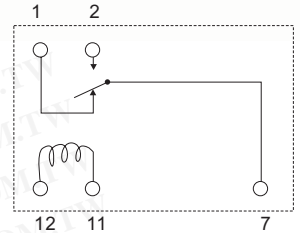
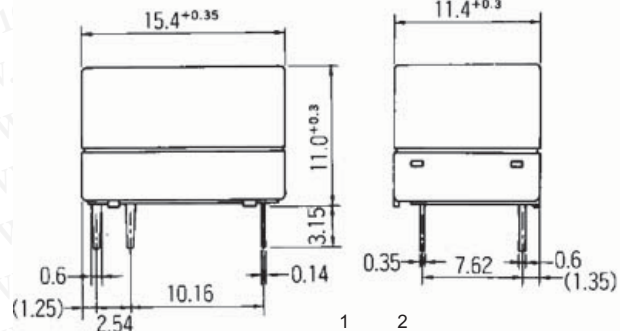
Nominal Power (at 20°C) : 0.19 to 0.27 W
 Operate Power (at 20°C) : 0.10 to 0.13 W
 Operating Temperature : -30°C to +55°C (no frost) (refer to the CHARACTERISTIC DATA)

Time Value

Operate (at nominal voltage) : Maximum 6 ms
 Release (at nominal voltage) : Maximum 3 ms

Life

Mechanical : 2 × 10⁷ operations minimum
 Electrical (at rating) : 0.5 A 120 VAC 2 × 10⁵ operations minimum
 1 A 24 VAC 5 × 10⁵ operations minimum



Weight
 Approximately 3.5 g

Part No.	Product No.	Manufacturer	Description	Coil Voltage	Contact Arrangement	Contact Rating	Outline L*W*H	Recognized Safety	Type
37251	MZ-12HS	TAKAMISAWA	TAKAMISAWA_MZ-12HS Signal Relay	12V	1 FROM C	1A 120VAC/ 1A 24VDC	15.4*11.4*11.0	UL,CSA	MZ
37252	MZ-24HS	TAKAMISAWA	TAKAMISAWA_MZ-24HS Signal Relay	24V	1 FROM C	1A 120VAC/2A 24VDC	15.4*11.4*11.0	UL,CSA	MZ
37253	MZ-5HS	TAKAMISAWA	TAKAMISAWA_MZ-5HS Signal Relay	5V	1 FROM C	0.5A 120VAC/1A 24VDC	15.4*11.4*11.0	UL,CSA	MZ



FEATURES:

- Slim type relay for high density mounting
 - Conforms to Bellcore specification and FCC Part 68
 - Dielectric strength 1,500VAC between coil and contacts
 - Surge strength 2,500 V between coil and contacts(at 2× 10s surge wave)
 - Maximum switching capability-4.2A,700VAC
 - UL,CSA recognized
 - High sensitivity and low consumption power
 - High reliability—bifurcated contacts
 - DIL pitch terminals
 - Plastic sealed type
 - RoHS compliant since date code: 0437B8
- Please see page 7 for more information

SPECIFICATIONS

Contact

Arrangement : 2 form C (DPDT)
 Material : Goldoverlaysilveralloy
 Style : Bifurcated
 Resistance (initial) : Maximum 50 mΩ (at 1 A 6 VDC)
 Rating (resistive) : 0.5A125VACor1A30VDC
 Maximum Carrying Current: 2A
 Maximum Switching Power : 62.5 AV, 30 W
 Maximum Switching Voltage : 250VAC,220VDC
 Maximum Switching Current: 2A
 MinimumSwitchingLoad*1: 0.01mA10mVDC

Coil

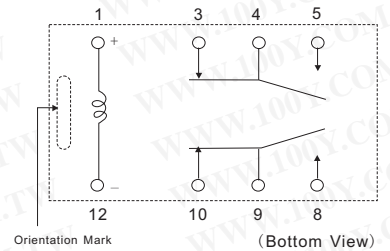
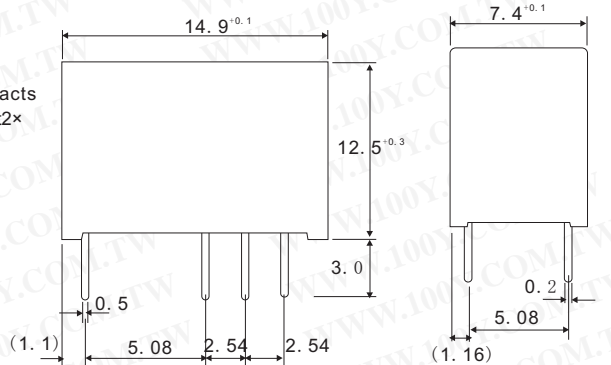
Nominal Power (at 20°C) : 0.14 to 0.3 W
 Operate Power (at 20°C) : 0.08 to 0.17 W
 Operating Temperature : -40°C to +85°C (no frost)(refer to the CHARACTERISTIC DATA)

Time Value

Operate (at nominal voltage) : Maximum 6 ms
 Release (at nominal voltage) : Maximum 4 ms

Life

Mechanical : 1×10⁶operationsminimum
 Electrical : 2×10⁵ops.min.(0.5A125VAC),5×10⁵ops.min.(1A30VDC)



Part No.	Product No.	Manufacturer	Description	Coil Voltage	Contact Arrangement	Contact Rating	Outline L*W*H	Recognized Safety	Type
37254	NA-12W-K	TAKAMISAWA	TAKAMISAWA_Miniature Relay	DC12V	2 Form C(DPDT)	0.5A 125VAC/1A 30VDC	14.9*7.4*9.7	UL,CSA	NA
46491	NA-24W-K	TAKAMISAWA	TAKAMISAWA_Miniature Relay	DC24V	2 Form C(DPDT)	0.5A 125VAC/1A 30VDC	14.9*7.4*9.7	UL,CSA	NA
41274	NA-3W-K	TAKAMISAWA	TAKAMISAWA_Miniature Relay	DC3V	2 Form C(DPDT)	0.5A 125VAC/1A 30VDC	14.9*7.4*9.7	UL,CSA	NA
37255	NA-5W-K	TAKAMISAWA	TAKAMISAWA_Miniature Relay	DC5V	2 Form C(DPDT)	0.5A 125VAC/1A 30VDC	14.9*7.4*9.7	UL,CSA	NA

• If you cannot find the components you want on the catalogue, please call us.



Taiwan: 886-3-5753170

Shanghai: 021-54151736 Shenzhen: 0755-83298787

Centenary Materials

Waiting for your phone call



T E L : Taiwan: 886-3-5753170
 F A X : Taiwan: 886-3-5753172
 E-mail : Taiwan: us_sale@100y.com.tw

Shenzhen: 86-755-83298787
 Shenzhen: 86-755-83640655
 Shenzhen: 100y@163.com

Shanghai: 86-21-54151736
 Shanghai: 86-21-64605107
 Shanghai: 100y-1@163.com