



Relays & Solenoids

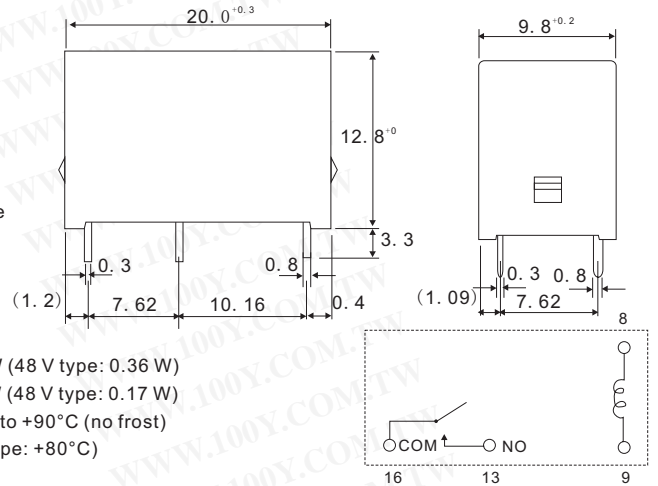
Takamisawa_PCB Relays

Detailed product specifications are available on: us.100y.com.tw



FEATURES:

- UL, CSA, VDE recognized
- High sensitivity and low power consumption
- High isolation
- Wide operating range
- DIL pitch terminals
- Plastic sealed type
- Socket mounting type and socket available
- Compatible with solid state relays type SJ (see page 365, 366) in size and pin (terminal) arrangement
- RoHS compliant since date code: 0514-
Please see page 6 for more information



SPECIFICATIONS

Contact

Arrangement : 1 form A (SPST-NO)
 Material : Gold-platesilver cadmium oxide
 Resistance (initial) (at 1 A 6 VDC) : Maximum 30 m
 Rating (resistive) : 3 A 250 VAC or 3 A 30 VDC
 Maximum Carrying Current : 5 A
 Maximum Switching Power : 750 VA, 90 W
 Maximum Switching Voltage : 250 VAC, 150 VDC
 Maximum Switching Current : 3 A
 Minimum Switching Load*1 : 10 mA 5 VDC

Coil

Nominal Power (at 20°C) : 0.2 W (48 V type: 0.36 W)
 Operate Power (at 20°C) : 0.1 W (48 V type: 0.17 W)
 Operating Temperature : -40°C to +90°C (no frost)
 (48V type: +80°C)

Time Value

Operate (at nominal voltage) : Maximum 6 ms
 Release (at nominal voltage) : Maximum 3 ms

Life

Mechanical : 2×10^7 operations minimum
 Electrical : 1×10^5 operations minimum (contact rating)

Vibration Resistance

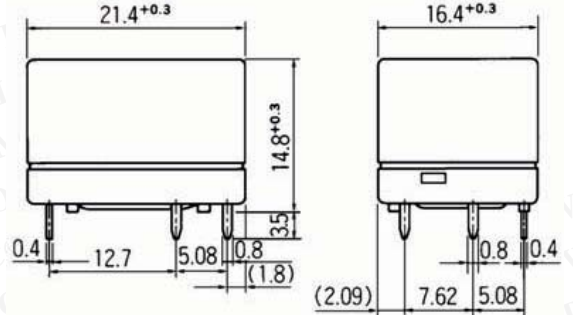
Misoperation : 10 to 55 Hz (double amplitude of 1.5 mm)
 Endurance : 10 to 55 Hz (double amplitude of 4.5 mm)

Part No.	Product No.	Manufacturer	Description	Coil Voltage	Contact Arrangement	Contact Rating	Outline L*W*H	Recognized Safety	Type
14033	JY-12H-K-UL	TAKAMISAWA	TAKAMISAWA_Power relay	12VDC	1 Form A(SPST-NO)	5A/250VAC OR 5A/30VDC	20*9.8*12.8mm	UL,CSA,VDE	JY
17447	JY-24H-K-UL	TAKAMISAWA	TAKAMISAWA_Power relay	24VDC	1 Form A(SPTS T-NO)	3A/250VAC OR 3A/30VDC	20*9.8*12.8mm	UL,CSA,VDE	JY
37235	JY-5-K	TAKAMISAWA	TAKAMISAWA_JY5-K Power relay	5V	1a	5A 250VAC/5A 30VDC	20*9.8*12.8mm	UL,SEV,CSA	JY
37236	JY-5H-K	TAKAMISAWA	TAKAMISAWA_Power relay	5VDC	1 Form A(SPST-NO)	5A 250VAC/5A 30VDC	20*9.8*12.8mm	UL,SEV,CSA	JY



FEATURES:

- UL, CSA
- 4 kinds of contact ratings
—Low level to 10 amps switching
- Standard and high sensitivity types available
- High surge strength version available
- UL class B (130°C) insulation type available (only plastic sealed type)
- Printed circuit terminals—fits grid with 0.1 inch
- Plastic sealed type backfilled with nitrogen available



SPECIFICATIONS

Contact

Arrangement : 1 form A (SPST-NO) or 1 form C (SPDT)
 Material : Gold overlay silver alloy (single type)
 Resistance (initial) (at 1 A 6 VDC) : Maximum 70 m (LZ-HS, S)
 Maximum 100 m (LZ-HSE, SE)
 Maximum Carrying Current : 5 A
 Maximum Switching Voltage : 250 VAC, 150 VDC
 Minimum Switching Load*1 : 10 mA 5 VDC (LZ-HS, S)
 100 mA 5 VDC (LZ-HSE, SE)

Coil

Nominal Power (at 20C) : 0.33 W
 Operate Power (at 20C) : 0.14 W
 Operating Temperature : -30°C to +80°C (no frost) (refer to the CHARACTERISTIC DATA)

Time Value

Operate (at nominal voltage) : Maximum 7 ms
 Release (at nominal voltage) : Maximum 4 ms

Life

Mechanical : 2×10^7 operations minimum
 Electrical : 1×10^5 operations minimum (rated load)

Other

Vibration Resistance :
 Misoperation : 10 to 55 Hz (double amplitude of 3.3 mm)
 Endurance : 10 to 55 Hz (double amplitude of 3.3 mm)
 Weight : Approximately 7.7 g

Part No.	Product No.	Manufacturer	Description	Coil Voltage	Contact Arrangement	Contact Rating	Outline L*W*H	Recognized Safety	Type
23419	LZ-12HE	TAKAMISAWA	Takamisawa_LZ12HE Power relay	12V	1 form C (SPDT)	5 A 120 VAC/24 VDC	21.4*16.4*14.8	UC: UL, CSA	LZ
23416	LZ-24HE	TAKAMISAWA	Takamisawa_LZ24HE Power relay	24V	1 form C (SPDT)	5 A 120 VAC/24 VDC	21.4*16.4*14.8	UC: UL, CSA	LZ
37241	LZ-3HE	TAKAMISAWA	TAKAMISAWA_LZ-3HE Power relay	3V	1 FROM C	5A 120VAC/30VDC	21.4*16.4*14.8	UL,CSA,SEV	LZ
37243	LZ-48HE	TAKAMISAWA	TAKAMISAWA_LZ-48HE Power Relay	48V	1 FROM C	5A 120VAC/24VDC	21.4*16.4*14.8	UL,SEV,CSA	LZ
23417	LZ-5HE	TAKAMISAWA	Takamisawa_LZ5HE Power relay	5V	1 form C (SPDT)	5 A 120 VAC/24 VDC	21.4*16.4*14.8	UC: UL, CSA	LZ
37242	LZ-6HE	TAKAMISAWA	TAKAMISAWA_LZ-6HE Power Relay	12V	1 FROM C	5A 120VAC/30VDC	21.4*16.4*14.8	UL,SEV,CSA	LZ
37244	LZ-9HE	TAKAMISAWA	TAKAMISAWA_LZ-9HE Power Relay	9V	1FROM C	5A 120VAC/30VDC	21.4*16.4*14.8	UL,SEV,CSA	LZ

