

# Relays & Solenoids

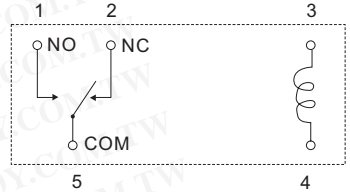
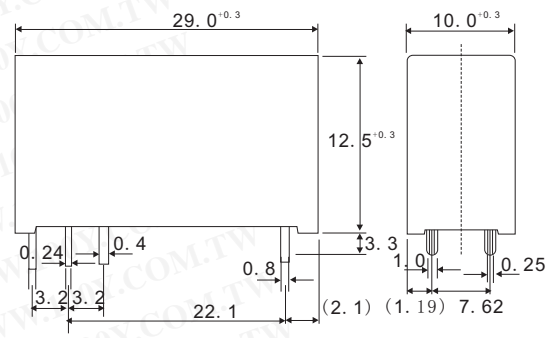
## Takamisawa PCB Relays

Detailed product specifications are available on: [us.100y.com.tw](http://us.100y.com.tw)



### FEATURES:

- UL, CSA, VDE, SEV, SEMKO, FIMKO, ÖVE, BSRecognized
- UL class B (130°C) insulation
- 1 form A (SPST-NO) or 1 form C (SPDT) contact
- Low profile and space saving—Height: 12.5 mm  
—Mounting space: 290 mm<sup>2</sup>
- High sensitivity in small package  
—Operating power.....0.11 to 0.14 W  
—Nominal power.....0.22 to 0.29 W
- High isolation in small package  
—Insulation distance: 8 mm  
—Dielectric strength: 5,000 VAC (between coil and contacts)  
—Surge strength: 10,000 V
- Plastic materials—UL 94 flame class V-0  
—UL CTI level class 2
- Plastic sealed type
- Lead Free since date code: 0438B9, 0434R - Please see page 6 for more information



### SPECIFICATIONS

#### Contact

Arrangement: 1 Form C (SPDT)  
Resistance (initial): 30m Ohms (Au 3µm),  
100m Ohms (Au 0.3µm) 1A 6VDC  
Rating: 8A 250 VAC/24 VDC  
Max. carrying current: 10A  
Max. switching power: 2, 000VA/ 192W  
Max. switching voltage: 150VDC/ 400VAC  
Min. switching load: 10mA 5VDC  
Max. switching current: 10A

#### Coil

Operating temperature: -40°C to +85°C (no frost)

#### Time value

Operate: Max. 10ms (at nominal voltage, without bounce)  
Release (without diode): Max. 5ms (at nominal voltage,  
without bounce)

#### Life

Mechanical 20x10<sup>6</sup> operation min.  
Electrical (resistance load): 100x10<sup>3</sup> operations min.

#### Vibration resistance

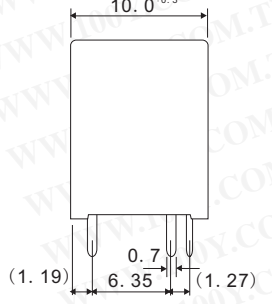
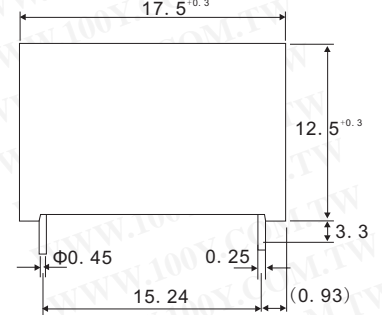
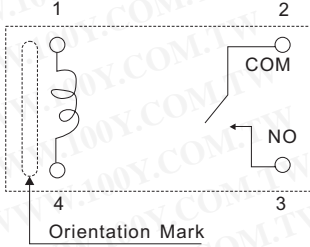
Misoperation: 10 to 55 Hz at double amplitude of 1.65mm  
Endurance: 10 to 55 Hz at double amplitude of 3.3mm

Weight: Approx. 8g

Part No.	Product No.	Manufacturer	Description	Coil Voltage	Contact Arrangement	Contact Rating	Outline L*W*H	Recognized Safety	Type
46573	JS-24E-K	TAKAMISAWA	TAKAMISAWA_JS Series POWER RELAY	24VDC	1 form C (SPDT)	8A 250VAC/24VDC	29*10*12.5	UL,CSA,VDE,SEV	JS
48004	JS-5-K	TAKAMISAWA	TAKAMISAWA_JS Series PCB RELAY	5V	1 form C (SPDT)		29*10*12.5	UL,CSA,VDE,SEV	JS

### FEATURES:

- UL, CSA, VDE, SEMKO recognized
- UL class B (130°C) insulation
- Low profile and space saving  
—Height: 12.5 mm  
—Mounting space: 175 mm<sup>2</sup>
- High sensitivity in small package  
—Operating power: 0.112 to 0.13 W  
—Nominal power: 0.2 to 0.3 W
- High insulation with reinforced insulation system (between coil and contacts)  
—Insulation distance: 8 mm  
—Dielectric strength: 5,000 VAC  
—Surge strength: 10,000 V
- Plastic materials —UL94 flame class V-0  
—UL CTI level class 2
- Plastic sealed type
- Cadmium free contacts
- RoHS compliant since date code: 0434R  
Please see page 5 for more information



### SPECIFICATIONS

#### Contact

Arrangement : 1 form A (SPST-NO)  
Material : Silver alloy  
Resistance (initial): Maximum 70 mΩ (at 1 A 6 VDC)  
Rating (resistive) : 5 A 250 VAC or 5 A 30 VDC  
Maximum Carrying Current : 5 A  
Maximum Switching Power : 1,250 VA, 150 W  
Maximum Switching Voltage: 250 VAC, 150 VDC  
Maximum Switching Current : 5 A  
Minimum Switching Load\*1 : 100 mA 5 VDC

#### Coil

Nominal Power (at 20°C) : 0.3 W  
Operate Power (at 20°C) : 0.13 W  
Operating Temperature : -40°C to +70°C (no frost) (refer to the CHARACTERISTIC DATA)

#### Time Value

Operate (at nominal voltage) : Maximum 8 ms  
Release (at nominal voltage) : Maximum 4 ms

#### Weight

Approximately 4.3 g

#### Vibration

Misoperation: 10 to 55 Hz (double amplitude of 1.65 mm)

#### Resistance

Endurance : 10 to 55 Hz (double amplitude of 5.0 mm)

#### Shock

Misoperation: 100 m/s<sup>2</sup> (11 ±1 ms)  
Endurance : 1,000 m/s<sup>2</sup> (6 ±1 ms)

Part No.	Product No.	Manufacturer	Description	Coil Voltage	Contact Arrangement	Contact Rating	Recognized Safety	Type
46042	JV-12-KT	TAKAMISAWA	TAKAMISAWA_PCB POWER RELAY	12V	1 form A (SPST-NO)	5 A 250 VAC/30 VDC	UL, CSA, VDE, SEMKO	J V

• If you cannot find the components you want on the catalogue, please call us.

Taiwan: 886-3-5753170  
Shanghai: 021-54151736 Shenzhen: 0755-83298787

**Centenary Materials**  
Waiting for your phone call



T E L : Taiwan: 886-3-5753170  
F A X : Taiwan: 886-3-5753172  
E-mail : Taiwan: us\_sale@100y.com.tw

Shenzhen: 86-755-83298787  
Shenzhen: 86-755-83640655  
Shenzhen: 100y@163.com

Shanghai: 86-21-54151736  
Shanghai: 86-21-64605107  
Shanghai: 100y-1@163.com