



# Relays & Solenoids

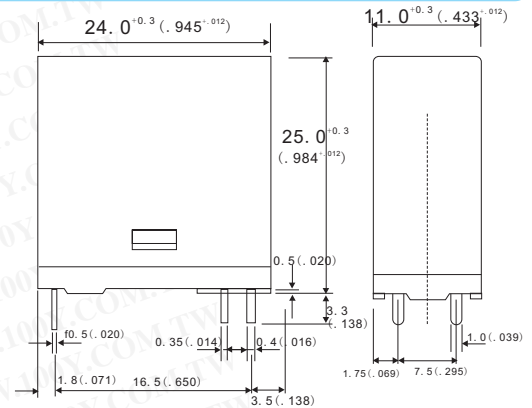
## Takamisawa\_PCB Relays

Detailed product specifications are available on: [us.100y.com.tw](http://us.100y.com.tw)



**FEATURES:**

- HIGH DENSITY MOUNTING  
Saves space by 26% compared to FTR-H1 type.
- HIGH ISOLATION  
Insulation Distance: Minimum 6mm between coil and contact  
Dielectric Strength: 4KV  
Surge Strength: 0KV
- HIGH NOISE RESISTANCE  
Uses card separation for high noise resistance between coil and contact
- HEAT RESISTANCE, FLAMMABILITY  
Class B (130° C) insulation, flammability 94V-0
- CADMIUM FREE CONTACT FOR ECO-PROGRAM
- SAFETY STANDARDS  
UL, CSA, VDE approved, SEMKO (pending)  
UL/CSATV-5 rating approved



**SPECIFICATIONS**

**Contact**

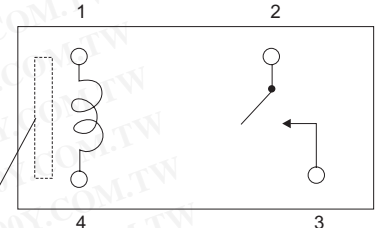
Arrangement: 1 Form A (SPST-NO)  
Material: Silver Alloy  
Resistance (initial): Maximum 100 mohm (at 1A 6VDC)  
Rating (resistive): 250VAC/30VDC, 10A  
Maximum carrying current: 10A  
Maximum switching rating: 2500VA/300W  
Maximum switching voltage: 400VAC/300DC  
Maximum switching current: 10A  
Minimum switching load: 100ma, 5VDC  
Maximum inrush current: 78A, 120VAC (at lamp load)

**Time value**

Operate time (at nominal voltage): Maximum 15ms  
Release time (at nominal voltage): Maximum 5ms

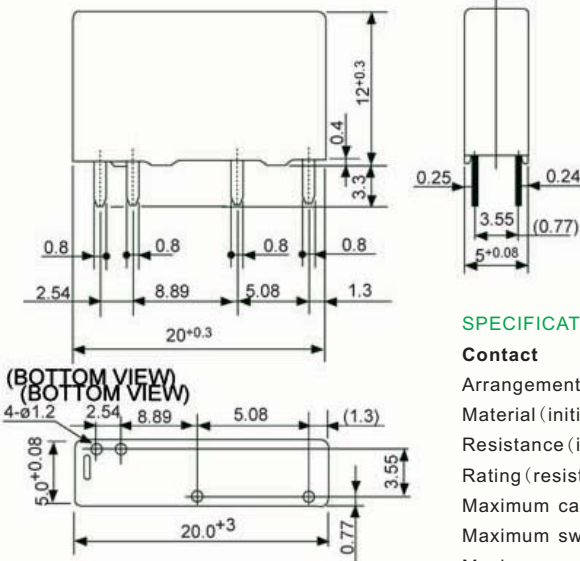
**Life**

Mechanical: 2x10<sup>6</sup> operations minimum  
Electrical: contact rating: 100x10<sup>3</sup> operation minimum  
Lamp load: 25x10<sup>3</sup> operations minimum



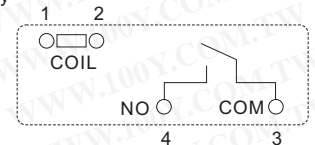
Orientation Mark  
De-energized condition

Part No.	Product No.	Manufacturer	Description	Coil Voltage	Contact Arrangement	Contact Rating	Outline L*W*H	Recognized Safety	Type
40862	FTR-H2AK005T	TAKAMISAWA	TAKAMISAWA_FTR-H2AK005T Relays	5VDC	1 Form A (SPST-NO)	30VDC/250VAC 10 A	24.0 x 11.0 x 25.0mm	UL, CSA, VDE	FTR-H2
42874	FTR-H2AK012T	TAKAMISAWA	TAKAMISAWA_FTR-H2AK005T Relays	12VDC	1 Form A (SPST-NO)	30VDC/250VAC 10 A	24.0 x 11.0 x 25.0mm	UL, CSA, VDE	FTR-H2
42875	FTR-H2AK024T	TAKAMISAWA	TAKAMISAWA_FTR-H2AK005T Relays	24VDC	1 Form A (SPST-NO)	30VDC/250VAC 10 A	24.0 x 11.0 x 25.0mm	UL, CSA, VDE	FTR-H2



**FEATURES:**

- Width 5mm, height 12mm, area 100 mm<sup>2</sup>, super slim, low power, compact and light weight 2.5gr.
- Nominal power: 110mW, Operate power: 54mW High sensitive
- High reliability, bifurcated gold overlay silver alloy
- Dielectric strength: 3000VAC
- Surge strength: 5080V
- SAFETY STANDARDS  
UL, CSA, IEC1131 compatibility
- RoHS Compliant since production



(BOTTOM VIEW)

**SPECIFICATIONS**

**Contact**

Arrangement: 1 Form A  
Material (initial): Gold overlaid silver alloy  
Resistance (initial): Maximum 30mΩ (at 1A 6VDC)  
Rating (resistive): 250VAC/30VDC, 5A  
Maximum carrying current: 5A  
Maximum switching rating: 1250VA/150W  
Maximum switching voltage: 277VAC, 125VDC  
Maximum switching current: 5A  
Minimum switching load\*1: 5VDC, 1mA

**Coil:**

Nominal power (at 20°C): 110mW  
Operate power (at 20°C): 54mW  
Operating temperature: -40°C to +90°C (no frost)

**Time value**

Operate time (at nominal voltage): Maximum 10ms (excluding bounce time)  
Release time (at nominal voltage): Maximum 5ms (excluding bounce time)

**Life**

Mechanical: 2x10<sup>7</sup> operations minimum (18,000ops/hr)  
Electrical: contact rating: 10x10<sup>4</sup> operations minimum (600 ops/hr)

Part No.	Product No.	Manufacturer	Description	Coil Voltage	Contact Arrangement	Contact Rating	Outline L*W*H	Recognized Safety	Type
46539	FTR-MYAA024D-VD	TAKAMISAWA	TAKAMISAWA_FTR-MY Series Power Relays	24VDC	1 Form A	5A 250VAC/30VDC	20*5*12	UL, CSA, IEC1131	FTR-MY

• If you cannot find the components you want on the catalogue, please call us.



Taiwan: 886-3-5753170

Shanghai: 021-54151736 Shenzhen: 0755-83298787

## Centenary Materials

Waiting for your phone call



T E L : Taiwan: 886-3-5753170  
F A X : Taiwan: 886-3-5753172  
E-mail : Taiwan: us\_sale@100y.com.tw

Shenzhen: 86-755-83298787  
Shenzhen: 86-755-83640655  
Shenzhen: 100y@163.com

Shanghai: 86-21-54151736  
Shanghai: 86-21-64605107  
Shanghai: 100y-1@163.com