



Relays & Solenoids

Takamisawa_PCB Relays

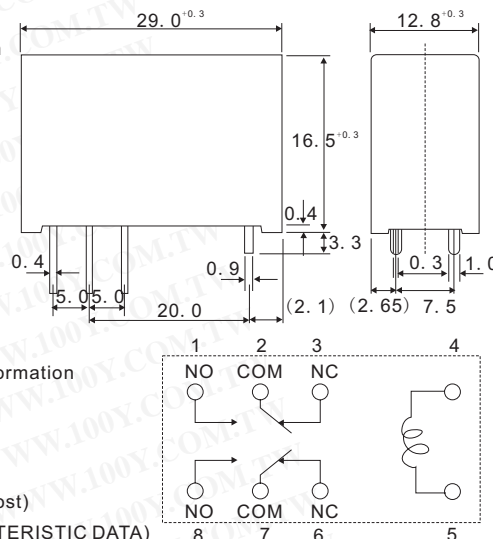
Detailed product specifications are available on: us.100y.com.tw

Part No.	Product No.	Manufacturer	Description	Coil Voltage	Contact Arrangement	Contact Rating	Outline L*W*H	Recognized Safety	Type
37154	A24W-K	TAKAMISAWA	TAKAMISAWA_A24W-K Single Relar	24V	UL_CSA	0.5A 120VAC 1A 24VAC	12.7*7.6*9.7	UL_CSA	A
37155	A5W-K	TAKAMISAWA	TAKAMISAWA_A5W-K Miniature Relay	12.7*7.6*9.7	1 FORM C	0.5A 120VAC 1A 24VAC	12.7*7.6*9.7	UL_CSA	A



FEATURES:

- Low profile power relay (height 16.5 mm) employing unique construction
- DPST/DPDT 5 A, TV-3 rating available
- Higher isolation by employing reinforced insulation construction
- Insulation distance: 8 mm (between coil and contact)
- Dielectric strength: 5 kV (between coil and contact)
- Surge strength: 10 kV (between coil and contact)
- Plastic sealed relay
- Pin configuration compatible to VB/FBR620
- UL, CSA, VDE, SEMKO, BSI recognized
- IConforms to FIMKO, IMQ, DEMKO (under approval)
- Environmentally friendly cadmium free contact type is available
- RoHS compliant since date code: 0434R Please see page 7 for more information



SPECIFICATIONS

Contact

- Arrangement: 2 form A (DPST-NO), 2 form C (DPDT)
- Material: Gold plate silver alloy
- Style: Single
- Resistance (initial): Maximum 100Ω m (at 1 A 6 VDC)
- Rating (resistive): 5 A 250 VAC/24 VDC
- Maximum Carrying Current: 7 A
- Maximum Switching Rating: 1,250 VA/120 W
- Maximum Switching Voltage: 400 VAC 300 VDC
- Maximum Switching Current: 5 A
- Minimum Switching Load*1: 10 mA 5 VDC

Coil

- Nominal Power (at 20C): 0.53 W
- Operate Power (at 20C): 0.26 W
- Operating Temperature: -40°C to +75°C (no frost)

Time Value

- Operate (at nominal voltage): Maximum 15 ms
- Release (at nominal voltage): Maximum 5 ms

Life

- Mechanical: 2x10⁷ operations minimum
- Electrical: Contact Rating: 1x10⁵ operations minimum

Other

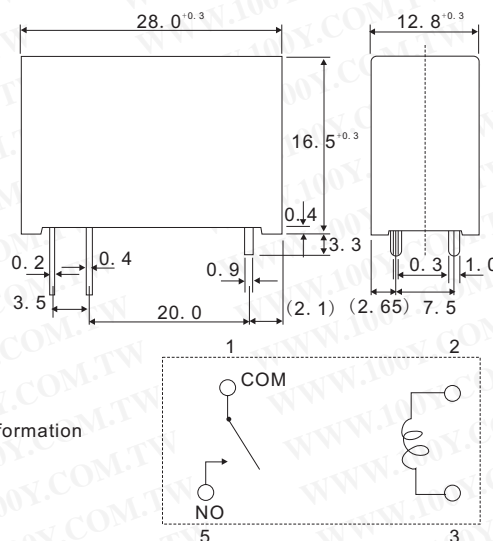
- Vibration Resistance:
 - Misoperation: 10 to 55 Hz (double amplitude of 1.65 mm)
 - Endurance: 10 to 55 Hz (double amplitude of 3.3 mm)
- Weight: Approximately 12 g

Part No.	Product No.	Manufacturer	Description	Coil Voltage	Contact Arrangement	Contact Rating	Outline L*W*H	Recognized Safety	Type
46519	FTR-F1CA012V-OM	TAKAMISAWA	TAKAMISAWA_FTR-F1 Series Power Relays	12VDC	2 Form C(DPDT)	5A 250VAC/24VDC	29*12.8*16.5	UL, CSA, VDE, SEMKO, BSI	FTR-F1



FEATURES:

- Working class: B (for IMQ)/ C (for VDE)
- Type of service: continuous duty
- Low profile (height 16.5 mm)/ cadmium free contacts
- 1 form A/ 1 form C 10 A, TV-5 rating available
- UL class B (130°C) insulation
- High isolation in small package (between coil and con-tacts)
 - Insulation distance: 8 mm
 - Dielectric strength: 5,000 VAC
 - Surge strength: 10,000 V
- Plastic materials —UL94 flame class V-0 UL CTI level class 2
- Plastic sealed relay
- Pin configuration compatible to VS/ FBR610 Series
- UL, CSA, BSI, VDE, SEMKO recognized
- Conforms to FIMKO, DEMKO
- Environmentally friendly cadmium free contacts type are available
- RoHS compliant since date code: 0434R Please see page 7 for more information



SPECIFICATIONS

Contact

- Arrangement: 1 form A (SPST-NO), 1 form C (SPDT)
- Material: Gold plate silver alloy
- Style: Single
- Resistance (initial): Maximum 100 m Ω (at 1 A 6 VDC)
- Rating (Resistive): 10 A 250 VAC/30 VDC
- Maximum Carrying Current: 14 A
- Maximum Switching Rating: 2,500 VA/300 W
- Maximum Switching Voltage: 400 VAC 300 VDC
- Maximum Switching Current: 10 A
- Minimum Switching Load*1: 10 mA 5 VDC

Coil

- Operating Range: 80 to 110 % V nominal
- Nominal Power (at 20°C): 0.53 W
- Operate Power (at 20°C): 0.26 W
- Operating Temperature: -40°C to +75°C (no frost)

Time Value

- Operate (at nominal voltage): Maximum 10 ms
- Release (at nominal voltage): Maximum 5 ms

Life

- Mechanical: 2x10⁷ operations minimum
- Electrical: Contact Rating: 1x10⁵ operations minimum

Other

- Vibration Resistance:
 - Misoperation: 10 to 55 Hz (double amplitude of 1.65 mm)
 - Endurance: 10 to 55 Hz (double amplitude of 3.3 mm)
- Weight: Approximately 12 g

Part No.	Product No.	Manufacturer	Description	Coil Voltage	Contact Arrangement	Contact Rating	Outline L*W*H	Recognized Safety	Type
46521	FTR-H1AA012T	TAKAMISAWA	TAKAMISAWA_FTR-H1 Series Power Relays	12VDC	1 Form A(SPST-NO)	10A 250VAC/30VDC	28*12.8*16.5	UL, CSA, VDE, SEMKO, BSI	FTR-H1



T E L : Taiwan : 886-3-5753170
 F A X : Taiwan : 886-3-5753172
 E-mail : Taiwan : us_sale@100y.com.tw

Shenzhen : 86-755-83298787
 Shenzhen : 86-755-83640655
 Shenzhen : 100y@163.com

Shanghai : 86-21-54151736
 Shanghai : 86-21-64605107
 Shanghai : 100y-1@163.com