



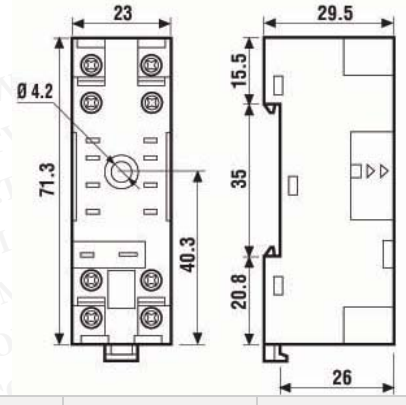
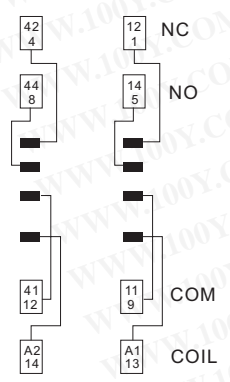
Relays & Solenoids

Finder_PCB Relays

Detailed product specifications are available on: us.100y.com.tw



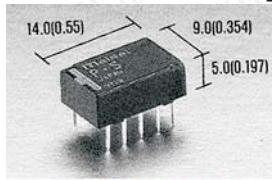
Technical data
 Rated values : 10 A - 250 V
 Dielectric strength : ≥ 2 kV AC
 Protection category : IP20
 Ambient temperature : $-40 \dots +70^\circ\text{C}$



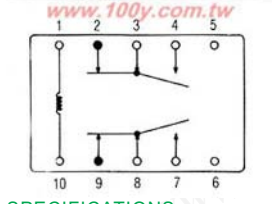
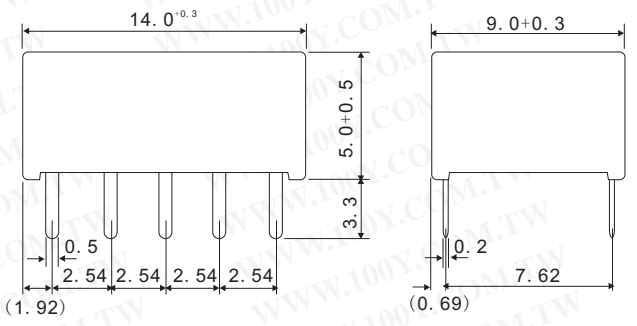
Part No.	Product No.	Manufacturer	Description	Type	Contact Arrangement	Contact Rating	Coil Voltage	Recognized Safety	Outline L*W*H
39196	94.82	Finder	Socket overview	94.02	2 FORM-C	10A	250V	CSA,UR,VDE	71.3*23*29.5

Takamisawa_PCB Relays

Detailed product specifications are available on: us.100y.com.tw



- FEATURES**
- Extremely low profile and light weight
 - Height: 5 mm
 - Weight: approximately 1.2 g
 - UL, CSA recognized
 - Conforms to FCC rules and regulations part 68
 - Surge strength 1,500 V
 - High reliability—bifurcated contacts
 - Wide operating range
 - DIL pitch terminals
 - Plastic sealed type
 - Latching version available



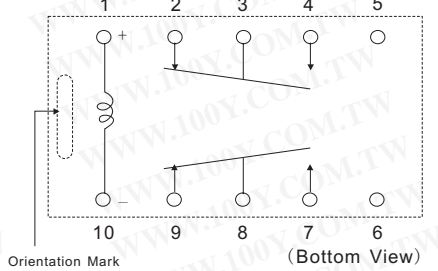
SPECIFICATIONS

Contact:
 Arrangement : 2 form C (DPDT)
 Material : Gold overlay silver alloy
 Resistance (initial) : Maximum 50 mΩ (at 1 A 6 VDC)
 Rating (resistive) : 0.5 A 125 VAC or 1 A 30 VDC
 Maximum Carrying Current : 2 A
 Maximum Switching Power : 62.5 AV/30 W

Maximum Switching Voltage : 250 VAC, 220 VDC
 Maximum Switching Current : 2 A
 Minimum Switching Load*1 : 0.01 mA 10 mVDC
 Capacitance : Approximately 0.5 pF (between open contacts, adjacent contacts)
 Approximately 1.0 pF (between coil and contacts)

Coil
 Nominal Power (at 20C) : 0.14 to 0.3 W
 Operate Power (at 20C) : 0.08 to 0.17 W
 Operating Temperature : -40°C to $+85^\circ\text{C}$ (no frost)

Time Value
 Operate (at nominal voltage) : Maximum 6 ms
 Release (at nominal voltage) : Maximum 4 ms



Life
 Mechanical : 1×10^8 operations minimum
 Electrical : 2×10^5 ops. min. (0.5 A 125 VAC),
 5×10^5 ops. min. (1 A 30 VDC)

Part No.	Product No.	Manufacturer	Description	Coil Voltage	Contact Arrangement	Contact Rating	Outline L*W*H	Recognized Safety	Type
36642	A-1.5W-K	TAKAMISAWA	Takamisawa_A1.5W-K Relay	1.5Vdc	2 Form C	1A30VDC, 0.5A125VAC	14.0*9.0*5.0	(UL/CSA)	A
3472	A-12W-K	TAKAMISAWA	Takamisawa_A12W-K PCB Relay	12Vdc	2 Form C	1A30VDC, 0.5A125VAC	14.0*9.0*5.0	(UL/CSA)	A
36653	A-18W-K	TAKAMISAWA	Takamisawa_A18W-K Relay	18Vdc	2 Form C	1A30VDC, 0.5A125VAC	14.0*9.0*5.0	(UL/CSA)	A
36654	A-24W-K	TAKAMISAWA	Takamisawa_A24W-K Relay	24Vdc	2 Form C	1A30VDC, 0.5A125VAC	14.0*9.0*5.0	(UL/CSA)	A
36644	A-3W-K	TAKAMISAWA	Takamisawa_A3W-K Relay	3Vdc	2 Form C	1A30VDC, 0.5A125VAC	14.0*9.0*5.0	(UL/CSA)	A
36646	A-4.5W-K	TAKAMISAWA	Takamisawa_A4.5W-K Relay	4.5Vdc	2 Form C	1A30VDC, 0.5A125VAC	14.0*9.0*5.0	(UL/CSA)	A
36655	A-48W-K	TAKAMISAWA	Takamisawa_A48W-K Relay	48Vdc	2 Form C	1A30VDC, 0.5A125VAC	14.0*9.0*5.0	(UL/CSA)	A
3471	A-5W-K	TAKAMISAWA	Takamisawa_A5W-K PCB Relays	5Vdc	2 Form C	1A30VDC, 0.5A125VAC	14.0*9.0*5.0	(UL/CSA)	A
36648	A-6W-K	TAKAMISAWA	Takamisawa_A6W-K Relay	6Vdc	2 Form C	1A30VDC, 0.5A125VAC	14.0*9.0*5.0	(UL/CSA)	A
36651	A-9W-K	TAKAMISAWA	Takamisawa_A9W-K Signal Relay (in stock 500 Kpcs,ON SALE Please call)	9Vdc	2 Form C	1A30VDC, 0.5A125VAC	14.0*9.0*5.0	(UL/CSA)	A



T E L : Taiwan : 886-3-5753170
 F A X : Taiwan : 886-3-5753172
 E-mail : Taiwan : us_sale@100y.com.tw

Shenzhen : 86-755-83298787
 Shenzhen : 86-755-83640655
 Shenzhen : 100y@163.com

Shanghai : 86-21-54151736
 Shanghai : 86-21-64605107
 Shanghai : 100y-1@163.com