



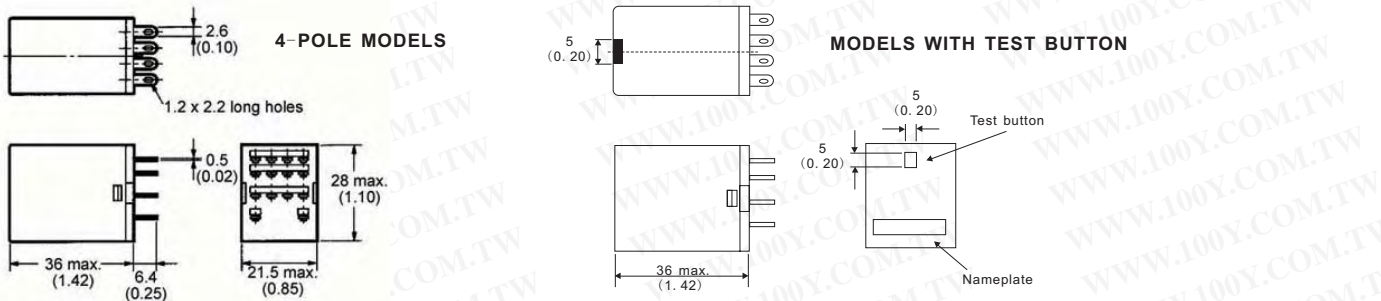
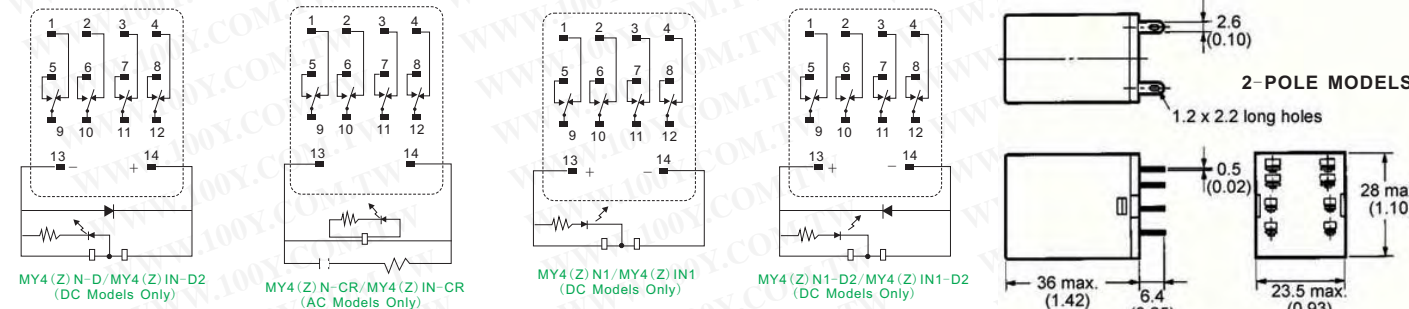
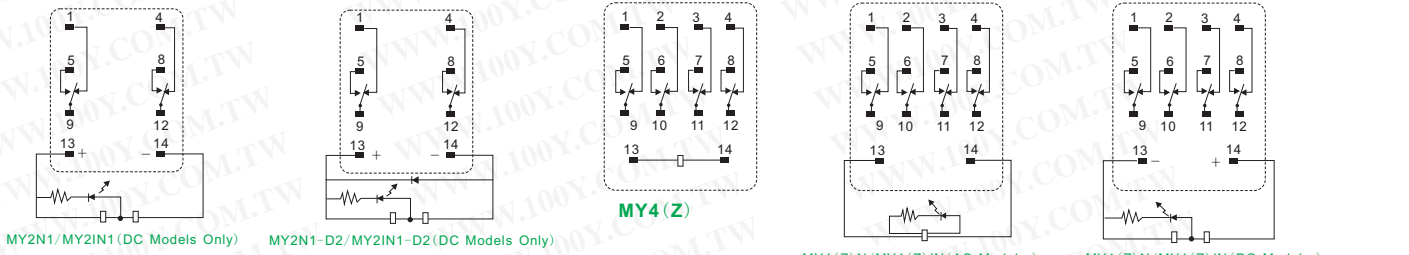
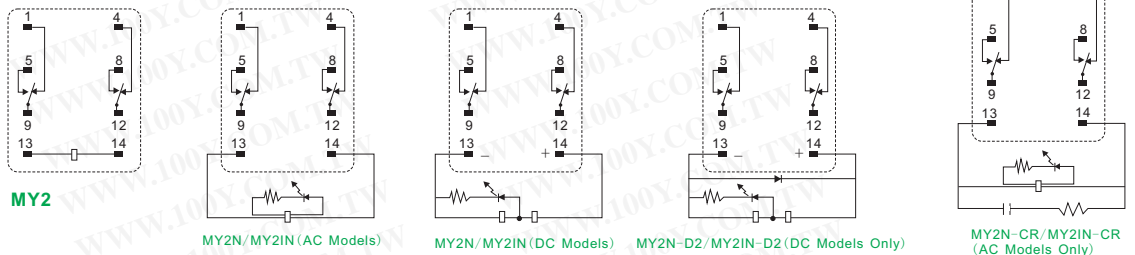
# Relays & Solenoids

## OMRON\_PCB Relays

Detailed product specifications are available on: [us.100y.com.tw](http://us.100y.com.tw)



Terminal arrangement/internal connections (bottom view)



Part No.	Product No.	Manufacturer	Description	Outline L*W*H	Contact Arrangement	Contact Rating	Coil Voltage	Recognized Safety	Type
37246	MY2-DC24V	OMRON	Power Miniature Solder Relay	21*27.4*33.5	2C	5A 24VDC/5A 240VAC	24V	UL,CSA	MY
37247	MY2NJ-DC48V	OMRON	Power Miniature Solder Relay +LED	21*27.4*33.5	2C	5A 24VDC/5A 240VAC	48VDC	UL,CSA	MY2N
37248	MY3NJ-AC110V	OMRON	Power Miniature Solder Relay +LED		3C		110VAC	UL,CSA	MY3
43892	MY3NJ-AC220V	OMRON	Power Miniature Solder Relay +LED		3C		220VAC	UL,CSA	MY3
37249	MY4-DC24V	OMRON	OMRON Power Relay	21*27.4*33.5	4C	3A 24VDC/3A 240VAC	24Vdc	UL,CSA	MY4
37250	MY4NJ-AC12V	OMRON	OMRON-Power Miniature Solder Relay+LED	21*27.4*33.5	4C	3A 24VDC/3A 240VAC	12VAC	UL,CSA	MY4

## Finder\_PCB Relays

Detailed product specifications are available on: [us.100y.com.tw](http://us.100y.com.tw)



- Ultra-slim, 5 mm wide
- Sensitive DC coil, 170 mW
- 6/8 mm clearance/creepage distance
- 6 kV (1.2/50 μs) between coil and contacts

**Technical data**

Mechanical life AC/DC (cycles) : —/10 · 10<sup>5</sup>  
 Electrical life at rated load AC1 (cycles) : 60 · 10<sup>3</sup>  
 Operate/release time (ms) : 5/3  
 Insulation according to EN 61810-1 ed.2 : 4 kV/3  
 Insulation between coil and contacts (1.2/50 μs) (kV) : 6

**Contact specifications**

Contact configuration : 1 CO (SPDT)  
 Rated current/Maximum peak current (A) : 6/10  
 Rated voltage/Maximum switching voltage (V AC) : 250/400\*  
 Rated load in AC1 (VA) : 1,500  
 Rated load in AC15 (230 V AC) (VA) : 300  
 Single phase motor rating (230 V AC) (kW) : 0.185  
 Minimum switching load mW (V/mA) : 500 (12/10)



T E L : Taiwan : 886-3-5753170  
 F A X : Taiwan : 886-3-5753172  
 E-mail : Taiwan : [us\\_sale@100y.com.tw](mailto:us_sale@100y.com.tw)

Shenzhen : 86-755-83298787  
 Shenzhen : 86-755-83640655  
 Shenzhen : 100y@163.com

Shanghai : 86-21-54151736  
 Shanghai : 86-21-64605107  
 Shanghai : 100y-1@163.com