



Relays & Solenoids

OMRON_PCB Relays

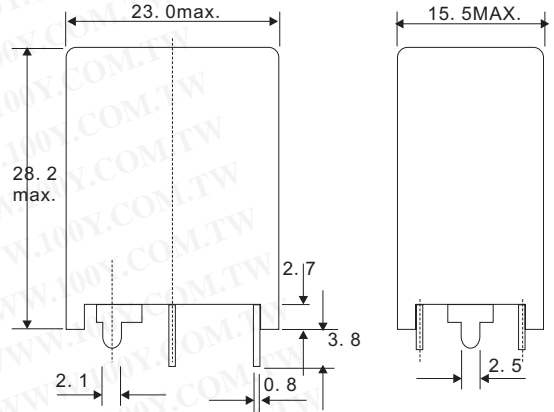
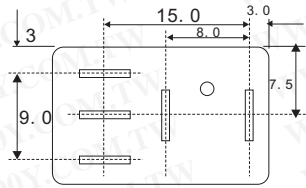
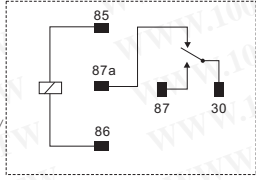
Detailed product specifications are available on: us.100y.com.tw



- General purpose automotive relay.
- Handles heavy loads for various automotive applications.
- Plug-in and PCB types available.
- Wide temperature range: -40°C to +125°C.
- High current capacity.



Terminal arrangement/
internal connections
(same for both)



RATINGS/SPECIFICATIONS

Rated voltage: 12 VDC
 Operating voltage (max.): 16 VDC
 Coil resistance: 80Ω ± 10% (100 available plug-in types)
 Drop-out voltage at +20°C (min.): 1.2 VDC
 Continuous carry current flow time (16V at 80°C) (max.): Unlimited

Operate time: 10 ms
 Release time: 5 ms
 Operating ambient temperature: -40°C to 125°C*
 Mechanical life (min.): 10,000,000 cycles (at frequency of 18,000 operations/hour)
 Electrical life (resistive load) (min.): 100,000 cycles (14V; continuous carry current)
 Weight: 20g

Part No.	Product No.	Manufacturer	Description	Outline L*W*H	Contact Arrangement	Contact Rating	Coil Voltage	Type
22902	G8H-1C7P-DC12V	OMRON	Automotive Relay	23*15.5*28.2	SPDT	20A(NO)/10A(NC)	DC12V	G8H



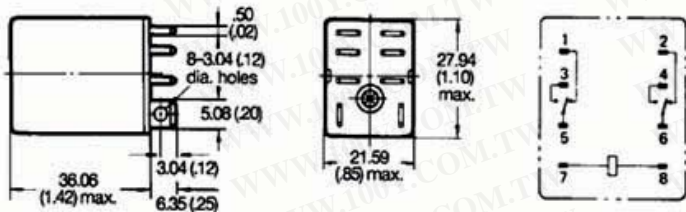
- Arc barrier equipped
- High dielectric strength (2,000 VAC)
- Long dependable service life assured by AgCdO contacts
- Choose models with single or bifurcated contacts, LED indicator, diode surge suppression, push-to-test button,
- All models meet UL and CSA approvals; VDE, LR, and SEV approved versions are available for RC circuit

CHARACTERISTICS

Contact resistance: 50 mΩ max
 Operate time: 25 ms max.
 Release time: 25 ms max.
 Operating frequency: Mechanically: 18,000 operations/hour
 Under rated load: 1,800 operations/hour
 Insulation resistance: 100 MΩ min. (at 500 VDC)
 Vibration: Mechanical durability: 10 to 55 Hz, 1.00 mm (0.04 in) double amplitude.
 Malfunction durability: 10 to 55 Hz, 1.00 mm (0.04 in) double amplitude
 Shock: Mechanical durability: 1,000 m/s² (approx. 100 G)
 Malfunction durability: 200 m/s² (approx. 20 G)
 Ambient temperature: Operating: -40° to 70°C (-40° to 158°F)
 Humidity: 35 to 85% RH
 Service Life: Mechanically: AC: 50 million operations min. (at operating frequency of 18,000 operations/hour)
 DC: 100 million operations min. (at operating frequency of 18,000 operations/hour)
 Electrically: See "Characteristic Data"



Terminal arrangement (Bottom view)



Weight: SPDT, DPDT: Approx. 40 g (1.41 oz), 3PDT: Approx. 50 g (1.76 oz)
 4PDT: Approx. 70 g (2.47 oz)

Part No.	Product No.	Manufacturer	Description	Outline L*W*H	Contact Arrangement	Contact Rating	Coil Voltage	Recognized Safety	Type
47981	LY2-0-DC24V	OMRON	OMRON 10A LY2 Power Relay	21*27.4*33.7	2C		24Vdc	UL, CSA	LY
37239	LY2-DC24V	OMRON	OMRON Power Relay	21*27.4*33.7	2C	10A 24VDC/10A 240VAC	24Vdc	UL, CSA	LY
37240	LY4-DC24V	OMRON	POWER Miniature Solder Relay	41.5*28*36	4C	10A 24VDC/10A 240VAC	24V	UL, CSA	LY



- Increased reliability through automated production
- Multiple features available, including LED indicator, test button, bifurcated contacts, built-in diode and CR (surge suppression)
- Max. switching current: two-pole/10A, four-pole/5A
- Environment-friendly cadmium-free contacts
- Built-in operation indicator and name-plate is standard

CHARACTERISTICS:

Contact resistance: 100mΩ max.
 Operate time: 20ms max.
 Release time: 20ms max.
 Insulation resistance: 1,000MΩ min. (at 500VDC)
 Dielectric with stand voltage: 2,000VAC, 50/60Hz for 1.0min (1,000VAC between contacts of same polarity)
 Vibration resistance: Destruction: 10 to 55Hz, 1.0mm double amplitude
 Malfunction: 10 to 55Hz, 1.0mm double amplitude

Shock resistance: Destruction: 1,000m/s² (approx. 100G)
 Malfunction: 200m/s² (approx. 20G)

Ambient temperature: Operating: -55°C to 70°C (-67°F to 158°F) with no icing (See Note.)

Ambient humidity: Operating: 35% to 85%

Weight: Approx. 35g



T E L : Taiwan: 886-3-5753170
 F A X : Taiwan: 886-3-5753172
 E-mail : Taiwan: us_sale@100y.com.tw

Shenzhen: 86-755-83298787
 Shenzhen: 86-755-83640655
 Shenzhen: 100y@163.com

Shanghai: 86-21-54151736
 Shanghai: 86-21-64605107
 Shanghai: 100y-1@163.com