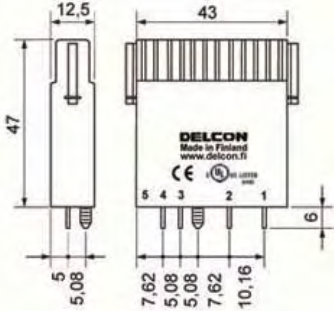




# Relays & Solenoids

## DELCON\_Solid State Relay

Detailed product specifications are available on: [us.100y.com.tw](http://us.100y.com.tw)



- Plug-in output relay for AC loads, 230 VAC control
- 1,5 A continuous current, 90 A/20 ms
- 0...240 VAC nominal load voltage
- Small leakage current
- Works correctly from zero load upwards

**Physical dimensions and other data**

Breakdown voltage	minimum	4300 VAC rms
Material of casing	thermoplastic	UL 94 V-0
Weight	typical	40 g
Air/creepage distance	minimum	8 mm
Capacitance I/O	typical	3 pF

- Power factor independent (0...1)
- Proximity switch compatible input
- Full wave rectification in input side
- cULus Listed (UL and CSA)
- CE (EMC and LVD)
- Not for motor loads



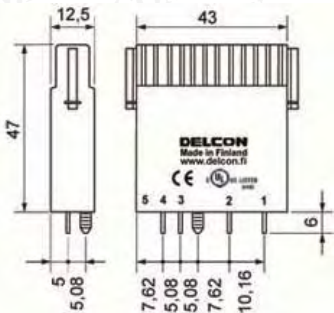
**Temperature range:**

Storage: -40°C...+70°C  
Operation: -25°C...+70°C

**Block diagram**



Part No.	Product No.	Manufacturer	Description	Vrms
37055	SLO P230TR	DELCON	Output Plug-in Relay 230 VAC/0...240 VAC 1.5A	230VAC



- Plug-in output relay for AC loads
- 3 A continuous current (UL), other 6 A
- 0...240 VAC/250 VDC nominal load voltage
- Mechanical contacts, normally closed
- AgSnO2 contact material
- Status LED

**Physical dimensions and other data**

Breakdown voltage	minimum	4300 VAC rms
Material of casing	thermoplastic	UL 94 V-0
Weight	typical	40 g
Air/creepage distance	minimum	6/8 mm

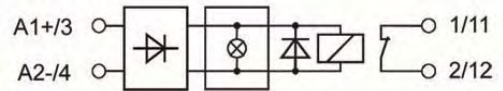
- Immune to disturbances on signal lines
- Shielded signal cabling not required
- cULus Listed (UL and CSA)
- CE (EMC and LVD)



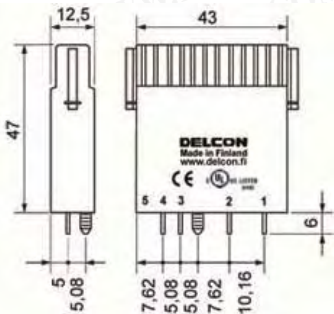
**Temperature range:**

Storage: -40°C...+70°C  
Operation: -25°C...+70°C

**Block diagram**



Part No.	Product No.	Manufacturer	Description	Vrms
37056	SRO 24B	DELCON	Output Plug-in Mechanical Relay 24 VDC/0...240 VAC 3(6) A NC	24VDC



- Plug-in output relay for AC loads
- 6 A continuous current
- 0...240 VAC/250 VDC nominal load voltage
- Mechanical contacts, normally open
- AgSnO2 contact material
- Status LED

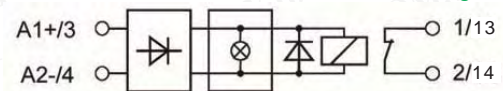
**Physical dimensions and other data**

Breakdown voltage	minimum	4300 VAC rms
Material of casing	thermoplastic	UL 94 V-0
Weight	typical	40 g
Air/creepage distance	minimum	6/8 mm

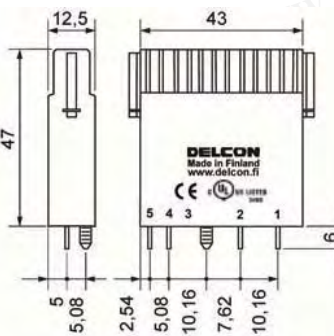
- Immune to disturbances on signal lines
- Shielded signal cabling not required
- cULus Listed (UL and CSA)
- CE (EMC and LVD)



**Block diagram**



Part No.	Product No.	Manufacturer	Description	Vrms
37057	SRO 24M	DELCON	Output Plug-in Mechanical Relay 24 VDC/0...240 VAC 6 A NO	24VDC



- Plug-in input relay for 220...240 VAC voltages
- 50 mA maximum load current
- 0...60 VDC load voltage
- Works without logic supply (4 pole)
- For PLC input signal conditioning
- Immune to disturbances on signal lines
- For use with proximity switches
- cULus Listed (UL and CSA)
- CE (EMC and LVD)
- Integrated status LED

**Physical dimensions and other data**

Breakdown voltage	minimum	4300 VAC rms
Material of casing	thermoplastic	UL 94 V-0
Weight	typical	40 g
Air/creepage distance	minimum	8 mm
Capacitance I/O	typical	3 pF



**Block diagram**



Part No.	Product No.	Manufacturer	Description	Vrms
36933	SLI 230CRP	DELCON	Input Plug-in Relay 230VAC, Proxy	220-240VAC

• We provide a wide range of products to development and maintenance engineers in all type of business

## Centenary Materials



T E L : Taiwan : 886-3-5753170  
F A X : Taiwan : 886-3-5753172  
E-mail : Taiwan : [us\\_sale@100y.com.tw](mailto:us_sale@100y.com.tw)

Shenzhen : 86-755-83298787  
Shenzhen : 86-755-83640655  
Shenzhen : 100y@163.com

Shanghai : 86-21-54151736  
Shanghai : 86-21-64605107  
Shanghai : 100y-1@163.com