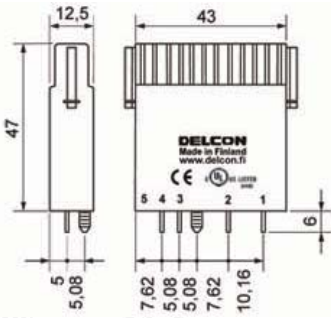




# Relays & Solenoids

## DELCON\_Solid State Relay

Detailed product specifications are available on: [us.100y.com.tw](http://us.100y.com.tw)



- Plug-in output relay for AC loads
- 3 A continuous current, 90 A/20 ms
- 0...240 VAC nominal load voltage
- Over voltage protection and RC-snubber in output
- Works correctly from zero load upwards

- Power factor independent (0...1)
- Immune to disturbances on load lines
- cULus Listed (UL and CSA)
- CE (EMC and LVD)
- Not for motor loads

**Physical dimensions and other data**

Breakdown voltage	minimum	4300 VAC rms
Material of casing	thermoplastic	UL 94 V-0
Weight	typical	40 g
Air/creepage distance	minimum	8 mm
Capacitance I/O	typical	3 pF

**Temperature range:**

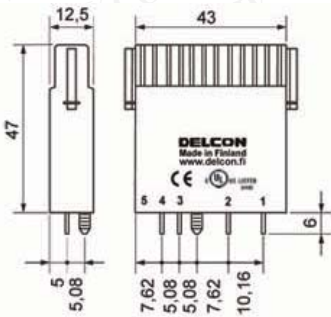
Storage: -40°C...+70°C  
Operation: -10°C...+70°C



**Block diagram**



Part No.	Product No.	Manufacturer	Description	Vrms
36997	SLO 5TR	DELCON	Output Plug-in Relay 5 VDC/0...240 VAC 3A	5VDC



- Plug-in output relay for AC loads, 120 VAC control
- 1 A continuous current, 90 A/20 ms
- 0...240 VAC nominal load voltage
- Small leakage current
- Works correctly from zero load upwards

- Power factor independent (0...1)
- Immune to disturbances on signal or load lines
- Shielded signal cabling not required
- cULus Listed (UL and CSA)
- CE (EMC and LVD)
- Not for motor loads

**Physical dimensions and other data**

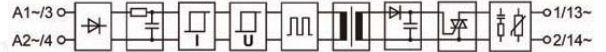
Breakdown voltage	minimum	4300 VAC rms
Material of casing	thermoplastic	UL 94 V-0
Weight	typical	40 g
Air/creepage distance	minimum	8 mm
Capacitance I/O	typical	3 pF

**Temperature range:**

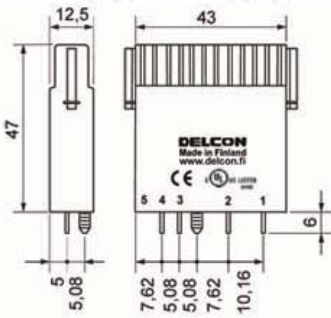
Storage: -40°C...+70°C  
Operation: -25°C...+70°C



**Block diagram**



Part No.	Product No.	Manufacturer	Description	Vrms
37052	SLO A120TR	DELCON	Output Plug-in Relay 120 VAC/0...240 VAC 1A	120VAC



- Plug-in output relay for AC loads, 230 VAC control
- 1 A continuous current, 90 A/20 ms
- 0...240 VAC nominal load voltage
- Small leakage current
- Works correctly from zero load upwards

- Power factor independent (0...1)
- Immune to disturbances on signal or load lines
- Shielded signal cabling not required
- cULus Listed (UL and CSA)
- CE (EMC and LVD) • Not for motor loads

**Physical dimensions and other data**

Breakdown voltage	minimum	4300 VAC rms
Material of casing	thermoplastic	UL 94 V-0
Weight	typical	40 g
Air/creepage distance	minimum	8 mm
Capacitance I/O	typical	3 pF

**Temperature range:**

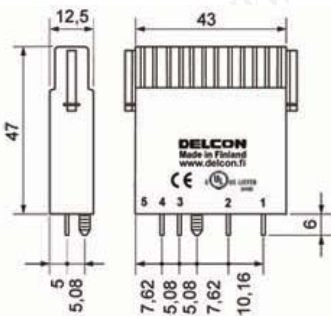
Storage: -40°C...+70°C  
Operation: -25°C...+70°C



**Block diagram**



Part No.	Product No.	Manufacturer	Description	Vrms
37053	SLO A230TR	DELCON	Output Plug-in Relay 230 VAC/0...240 VAC 1A	230VAC



- Plug-in output relay for AC loads, 120 VAC control
- 3 A continuous current, 90 A/20 ms
- 0...240 VAC nominal load voltage
- Small leakage current
- Works correctly from zero load upwards

- Power factor independent (0...1)
- Proximity switch compatible input
- Full wave rectification in input side
- cULus Listed (UL and CSA)
- CE (EMC and LVD)
- Not for motor loads

**Physical dimensions and other data**

Breakdown voltage	minimum	4300 VAC rms
Material of casing	thermoplastic	UL 94 V-0
Weight	typical	40 g
Air/creepage distance	minimum	8 mm
Capacitance I/O	typical	3 pF

**Temperature range:**

Storage: -40°C...+70°C  
Operation: -25°C...+70°C



**Block diagram**



Part No.	Product No.	Manufacturer	Description	Vrms
37054	SLO P120TR	DELCON	Output Plug-in Relay 120 VAC/0...240 VAC 3A	120VAC

• If you cannot find the components you want on the catalogue, please call us.



Taiwan: 886-3-5753170

Shanghai: 021-54151736 Shenzhen: 0755-83298787

# Centenary Materials

Waiting for your phone call



T E L : Taiwan: 886-3-5753170  
F A X : Taiwan: 886-3-5753172  
E-mail : Taiwan: us\_sale@100y.com.tw

Shenzhen: 86-755-83298787  
Shenzhen: 86-755-83640655  
Shenzhen: 100y@163.com

Shanghai: 86-21-54151736  
Shanghai: 86-21-64605107  
Shanghai: 100y-1@163.com