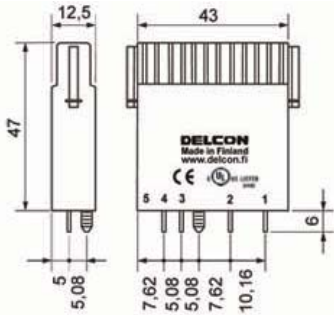




Relays & Solenoids

DELCON_Solid State Relay

Detailed product specifications are available on: us.100y.com.tw



- Plug-in output relay for DC loads
- 3 A continuous current, 15 A/10 ms
- 0...60 VDC nominal load voltage
- Integrated status LED

- Works correctly from zero load upwards
- For resistive and slightly inductive loads
- cULus Listed (UL and CSA)
- CE (EMC and LVD tested)



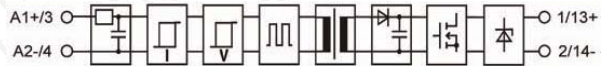
Physical dimensions and other data

Breakdown voltage	minimum	4300 VAC rms
Material of casing	thermoplastic	UL 94 V-0
Weight	typical	40 g
Air/creepage distance	minimum	8 mm
Capacitance I/O	typical	3 pF

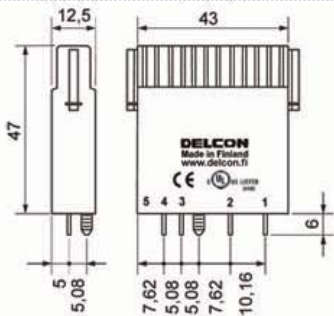
DELCON

Temperature range:
 Storage: -40°C...+70°C
 Operation: -25°C...+70°C

Block diagram



Part No.	Product No.	Manufacturer	Description	Vrms
36982	SLO 5CR	DELCON	Output Plug-in Relay 5 VDC/0...60 VDC 3A	5VDC



- Plug-in output relay for DC loads
- 1,8 A continuous current, 12 A/10 ms
- 0...250 VDC nominal load voltage
- Integrated status LED
- Works correctly from zero load upwards

- For resistive and highly inductive loads
- Immune to disturbances on signal lines
- Shielded signal cabling not required
- cULus standard and pilot duty Listed (UL and CSA)
- CE (EMC and LVD)

DELCON

Physical dimensions and other data

Breakdown voltage	minimum	4300 VAC rms
Material of casing	thermoplastic	UL 94 V-0
Weight	typical	40 g
Air/creepage distance	minimum	8 mm
Capacitance I/O	typical	3 pF

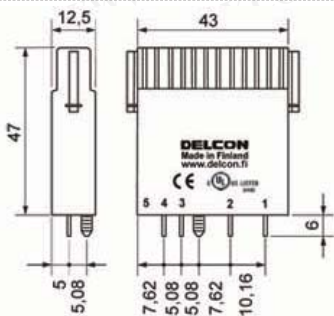


Temperature range:
 Storage: -40°C...+70°C
 Operation: -25°C...+70°C

Block diagram



Part No.	Product No.	Manufacturer	Description	Vrms
37041	SLO 5CRA	DELCON	Output Plug-in Relay 5 VDC/0...250 VDC 1.8A	5VDC



- Plug-in output relay for DC loads
- 10 A continuous current, 80 A/10 ms
- Switches up to 1 kHz signals
- 0...24 VDC nominal load voltage
- Integrated status LED
- Works correctly from zero load upwards

- For resistive and slightly inductive loads
- Immune to disturbances on signal lines
- Shielded signal cabling not required
- cULus Listed (UL and CSA)
- CE (EMC and LVD)

DELCON

Physical dimensions and other data

Breakdown voltage	minimum	4300 VAC rms
Material of casing	thermoplastic	UL 94 V-0
Weight	typical	40 g
Air/creepage distance	minimum	8 mm
Capacitance I/O	typical	3 pF

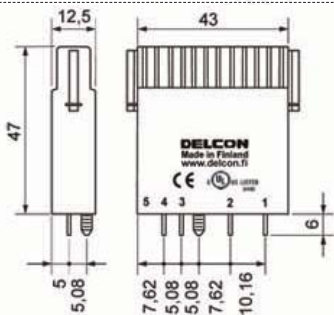


Temperature range:
 Storage: -40°C...+70°C
 Operation: -25°C...+70°C

Block diagram



Part No.	Product No.	Manufacturer	Description	Vrms
37046	SLO 5CRX	DELCON	Output Plug-in Relay 5 VDC/0...24 VDC 10A	5VDC



- Plug-in output relay for AC/DC loads
- 1,2 A continuous current, 8 A/10 ms
- 0...240 VAC nominal load voltage
- Integrated status LED

- Works correctly from zero load upwards
- For resistive and inductive loads
- cULus Listed (UL and CSA)
- CE (EMC and LVD)

DELCON

Physical dimensions and other data

Breakdown voltage	minimum	4300 VAC rms
Material of casing	thermoplastic	UL 94 V-0
Weight	typical	40 g
Air/creepage distance	minimum	8 mm
Capacitance I/O	typical	3 pF



Temperature range:
 Storage: -40°C...+70°C
 Operation: -25°C...+70°C

Block diagram



Part No.	Product No.	Manufacturer	Description	Vrms
37048	SLO 5IRA	DELCON	Output Plug-in Relay 5 VDC/0...240 VAC 1.2A	5VDC

• If you cannot find the components you want on the catalogue, please call us.



Taiwan: 886-3-5753170

Shanghai: 021-54151736 Shenzhen: 0755-83298787

Centenary Materials

Waiting for your phone call



T E L : Taiwan: 886-3-5753170
 F A X : Taiwan: 886-3-5753172
 E-mail : Taiwan: us_sale@100y.com.tw

Shenzhen: 86-755-83298787
 Shenzhen: 86-755-83640655
 Shenzhen: 100y@163.com

Shanghai: 86-21-54151736
 Shanghai: 86-21-64605107
 Shanghai: 100y-1@163.com