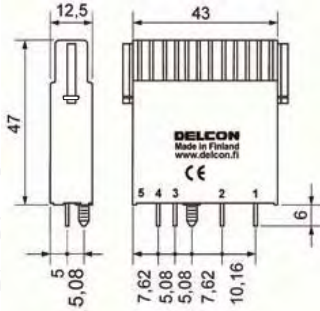




Relays & Solenoids

DELCON_Solid State Relay

Detailed product specifications are available on: us.100y.com.tw



- Plug-in output relay for DC loads
- 4 A continuous current, 20 A/10 ms
- 0...250 VDC nominal load voltage
- Integrated status LED
- Works correctly from zero load upwards

Physical dimensions and other data

Breakdown voltage	minimum	4300 VAC rms
Material of casing	thermoplastic	UL 94 V-0
Weight	typical	40 g
Air/creepage distance	minimum	8 mm
Capacitance I/O	typical	3 pF

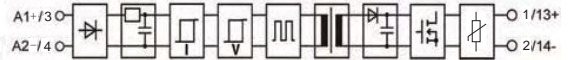
- For resistive and highly inductive loads
- Immune to disturbances on signal lines
- Shielded signal cabling not required
- CE (EMC and LVD)



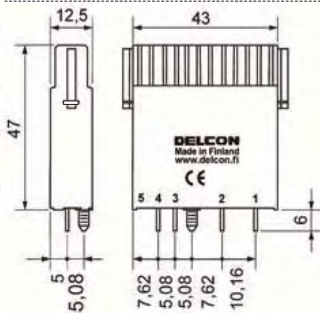
Temperature range:
 Storage: -40°C...+70°C
 Operation: -25°C...+70°C



Block diagram



Part No.	Product No.	Manufacturer	Description	Vrms
37014	SLO 220CRA4	DELCON	Output Plug-in Relay 220 VDC/0...250 VDC 4A	220VDC



- Plug-in output relay for DC loads
- Low input current: 2 mA
- 3 A continuous current, 15 A/10 ms
- 0...60 VDC nominal load voltage
- Integrated status LED
- Works correctly from zero load upwards

Physical dimensions and other data

Breakdown voltage	minimum	4300 VAC rms
Material of casing	thermoplastic	UL 94 V-0
Weight	typical	40 g
Air/creepage distance	minimum	8 mm
Capacitance I/O	typical	3 pF

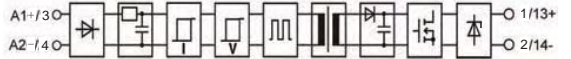
- For resistive and slightly inductive loads
- Immune to disturbances on signal lines
- Shielded signal cabling not required
- CE (EMC and LVD)



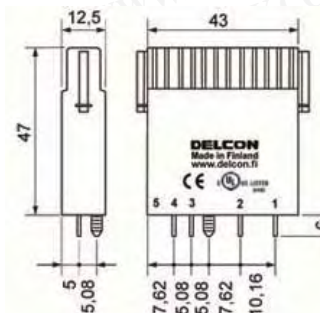
Temperature range:
 Storage: -40°C...+70°C
 Operation: -25°C...+70°C



Block diagram



Part No.	Product No.	Manufacturer	Description	Vrms
36989	SLO 24CL	DELCON	Output Plug-in Relay 24 VDC 2 mA/0...60VDC 3A	24VDC



- Plug-in output relay for DC loads
- 3 A continuous current, 15 A/10 ms
- Switches up to 1 kHz signals
- 0...60 VDC nominal load voltage
- Integrated status LED
- Works correctly from zero load upwards

Physical dimensions and other data

Breakdown voltage	minimum	4300 VAC rms
Material of casing	thermoplastic	UL 94 V-0
Weight	typical	40 g
Air/creepage distance	minimum	8 mm
Capacitance I/O	typical	3 pF

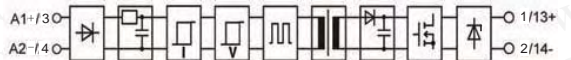
- For resistive and slightly inductive loads
- Immune to disturbances on signal lines
- Shielded signal cabling not required
- cULus tested (UL and CSA)
- CE (EMC and LVD tested)



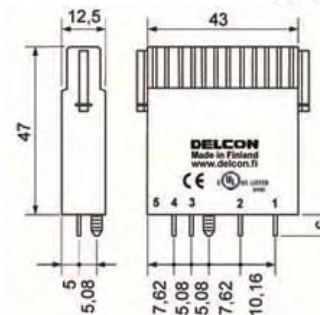
Temperature range:
 Storage: -40°C...+70°C
 Operation: -25°C...+70°C



Block diagram



Part No.	Product No.	Manufacturer	Description	Vrms
36988	SLO 24CR	DELCON	Output Plug-in Relay 24 VDC/0...60 VDC 3A	24VDC



- Plug-in output relay for DC loads
- Switches up to 1 kHz signals with resistive loads
- 1,8 A continuous current, 12 A/10 ms
- 0...250 VDC nominal load voltage
- Integrated status LED
- Works correctly from zero load upwards

Physical dimensions and other data

Breakdown voltage	minimum	4300 VAC rms
Material of casing	thermoplastic	UL 94 V-0
Weight	typical	40 g
Air/creepage distance	minimum	8 mm
Capacitance I/O	typical	3 pF

- For resistive and highly inductive loads
- Immune to disturbances on signal lines
- Shielded signal cabling not required
- cULus standard and pilot duty Listed (UL and CSA)
- CE (EMC and LVD)



Temperature range:
 Storage: -40°C...+70°C
 Operation: -25°C...+70°C



Block diagram



Part No.	Product No.	Manufacturer	Description	Vrms
37016	SLO 24CRA	DELCON	Output Plug-in Relay 24 VDC/0...250 VDC 1.8A	24VDC

• We provide a wide range of products to development and maintenance engineers in all type of business

Centenary Materials



T E L : Taiwan : 886-3-5753170
 F A X : Taiwan : 886-3-5753172
 E-mail : Taiwan : us_sale@100y.com.tw

Shenzhen : 86-755-83298787
 Shenzhen : 86-755-83640655
 Shenzhen : 100y@163.com

Shanghai : 86-21-54151736
 Shanghai : 86-21-64605107
 Shanghai : 100y-1@163.com