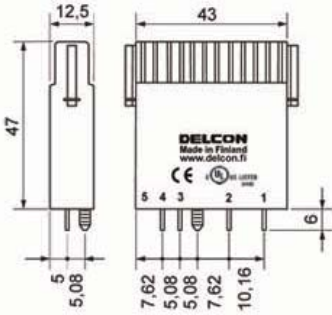




Relays & Solenoids

DELCON_Solid State Relay

Detailed product specifications are available on: us.100y.com.tw



- Plug-in output relay for DC loads
- 3 A continuous current, 15 A/10 ms
- Switches up to 1 kHz signals
- 0...60 VDC nominal load voltage
- Integrated status LED
- Works correctly from zero load upwards

Physical dimensions and other data

Breakdown voltage	minimum	4300 VAC rms
Material of casing	thermoplastic	UL 94 V-0
Weight	typical	40 g
Air/creepage distance	minimum	8 mm
Capacitance I/O	typical	3 pF

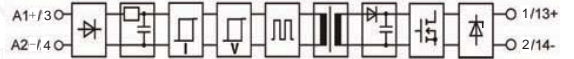
- For resistive and slightly inductive loads
- Immune to disturbances on signal lines
- Shielded signal cabling not required
- cULus tested (UL and CSA)
- CE (EMC and LVD)



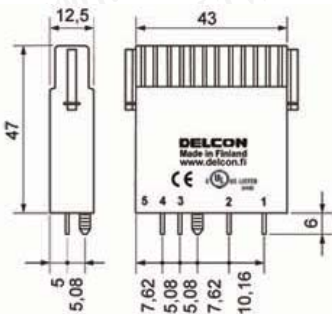
Temperature range:

Storage: -40°C...+70°C
Operation: -25°C...+70°C

Block diagram



Part No.	Product No.	Manufacturer	Description	Vrms
36978	SLO 12CR	DELCON	Output relay Plug-in 12 VDC/60 VDC 3 A	12VDC



- Plug-in output relay for DC loads
- Switches up to 1 kHz signals
- 1.8 A continuous current, 12 A/10 ms
- 0...250 VDC nominal load voltage
- Integrated status LED
- Works correctly from zero load upwards

Physical dimensions and other data

Breakdown voltage	minimum	4300 VAC rms
Material of casing	thermoplastic	UL 94 V-0
Weight	typical	40 g
Air/creepage distance	minimum	8 mm
Capacitance I/O	typical	3 pF

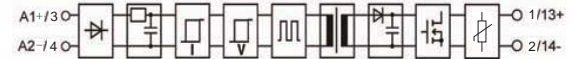
- For resistive and highly inductive loads
- Immune to disturbances on signal lines
- Shielded signal cabling not required
- cULus Listed (UL and CSA)
- CE (EMC and LVD)



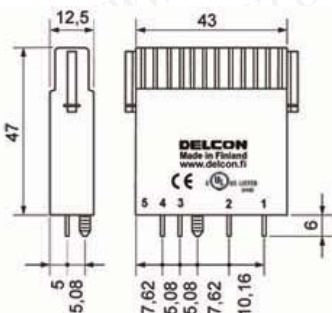
Temperature range:

Storage: -40°C...+70°C
Operation: -25°C...+70°C

Block diagram



Part No.	Product No.	Manufacturer	Description	Vrms
37005	SLO 12CRA	DELCON	Output Plug-in Relay 12 VDC/0...250 VDC 1.8A	12VDC



- Plug-in output relay for DC loads
- 10 A continuous current, 80 A/10 ms
- Switches up to 1 kHz signals
- 0...24 VDC nominal load voltage
- Integrated status LED
- Works correctly from zero load upwards

Physical dimensions and other data

Breakdown voltage	minimum	4300 VAC rms
Material of casing	thermoplastic	UL 94 V-0
Weight	typical	40 g
Air/creepage distance	minimum	8 mm
Capacitance I/O	typical	3 pF

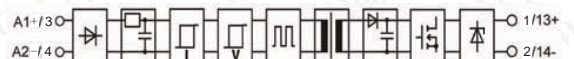
- For resistive and slightly inductive loads
- Immune to disturbances on signal lines
- Shielded signal cabling not required
- CE (EMC and LVD)
- cULus Listed (UL and CSA)



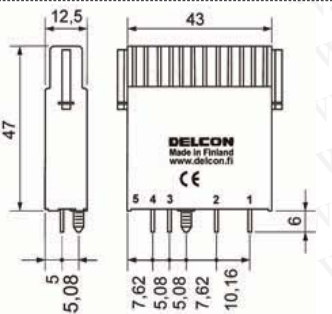
Temperature range:

Storage: -40°C...+70°C
Operation: -25°C...+70°C

Block diagram



Part No.	Product No.	Manufacturer	Description	Vrms
37007	SLO 12CRX	DELCON	Output Plug-in Relay 12 VDC/0...24 VDC 10A	12VDC



- Plug-in output relay for DC loads
- Switches up to 500 Hz signals
- 1.8 A continuous current, 12 A/10 ms
- 0...250 VDC nominal load voltage
- Integrated status LED
- Works correctly from zero load upwards

Physical dimensions and other data

Breakdown voltage	minimum	4300 VAC rms
Material of casing	thermoplastic	UL 94 V-0
Weight	typical	40 g
Air/creepage distance	minimum	8 mm
Capacitance I/O	typical	3 pF

- For resistive and highly inductive loads
- Immune to disturbances on signal lines
- Shielded signal cabling not required
- CE (EMC and LVD)



Temperature range:

Storage: -40°C...+70°C
Operation: -25°C...+70°C

Block diagram



Part No.	Product No.	Manufacturer	Description	Vrms
37011	SLO 220CRA	DELCON	Output Plug-in Relay 220 VDC/0...250 VDC 1.8A	220VDC

• If you cannot find the components you want on the catalogue, please call us.



Taiwan: 886-3-5753170

Shanghai: 021-54151736 Shenzhen: 0755-83298787

Centenary Materials

Waiting for your phone call



T E L : Taiwan: 886-3-5753170
F A X : Taiwan: 886-3-5753172
E-mail : Taiwan: us_sale@100y.com.tw

Shenzhen: 86-755-83298787
Shenzhen: 86-755-83640655
Shenzhen: 100y@163.com

Shanghai: 86-21-54151736
Shanghai: 86-21-64605107
Shanghai: 100y-1@163.com