



Relays & Solenoids

OMRON_PCB Relays

Detailed product specifications are available on: us.100y.com.tw



- Compact: 20 × 15 × 10 mm (L × W × H).
- Low power consumption: 200 mW.
- Flux protection or fully sealed construction available.
- Unique moving loop armature reduces relay size, magnetic interference, and contact bounce.
- Single- and double-winding latching types also available

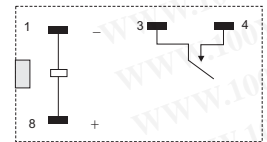
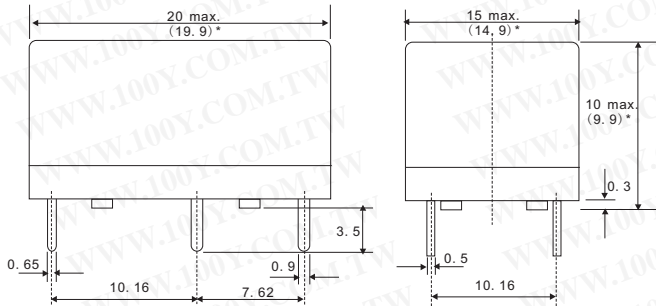
CHARACTERISTICS

Contact resistance: 30 mΩ max.
 Operate (set) time: 10 ms max. (mean value: approx. 5 ms)
 Release (reset) time: 10 ms max. (mean value: approx. 2 ms; latching types: mean value: approx. 5 ms)
 Bounce time: Operate: 5 ms max.
 Release: 5 ms max.
 Min. set/reset signal width: Latching type: 20 ms (at 23°C)
 Max. switching frequency: Mechanical: 18,000 operations/hr
 Electrical: 1,800 operations/hr (under rated load)
 Insulation resistance: 1,000 MΩ min. (at 500 VDC, at 250 VDC between set coil and reset coil)



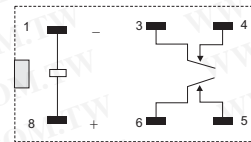
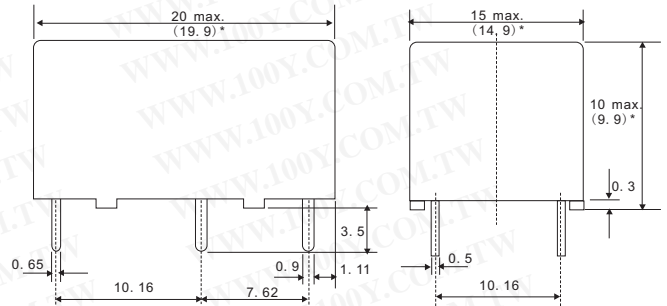
Impulse withstand voltage: 6,000 V (1.2 x 50 μs) between coil and contacts (latching types: 4,500 V, 1.2 x 50 μs)
 Vibration resistance: Destruction: 10 to 55 to 10 Hz, 0.75-mm single amplitude (1.5-mm double amplitude)
 Malfunction: 10 to 55 to 10 Hz, 0.75-mm single amplitude (1.5-mm double amplitude)
 Shock resistance: Destruction: 1,000 m/s²
 Malfunction: 100 m/s²
 Ambient temperature: Operating: -25°C to 70°C (with no icing)
 Ambient humidity: Operating: 5% to 85%
 Endurance: Mechanical: 50,000,000 operations min. (at 18,000 operations/hr)
 Electrical: 100,000 operations min. (at 1,800 operations/hr)

Weight: Approx. 5.6 g



Terminal arrangement/
Internal connections
(Bottom view)

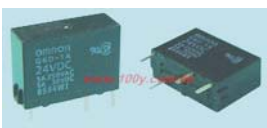
G6C-1114P-US
G6C-1117P-US



Terminal arrangement/
Internal connections
(Bottom view)

G6C-2117P-US

| Part No. | Product No. | Manufacturer | Description | Outline L*W*H | Contact Arrangement | Contact Rating | Coil Voltage | Recognized Safety | Type |
|----------|--------------------|--------------|--|---------------------------------|---------------------|----------------------|--------------|-------------------|--------------|
| 32579 | G6C-1114P-US-DC12V | OMRON | Subminiature Moving Loop Power PCB Relay | 20*15*10mm(L*W*H) | SPST-NO | 10A | DC12V | | G6C-1114P-US |
| 33474 | G6C-1117P-US-DC12V | OMRON | Subminiature Moving Loop Power PCB Relay | 20(L)x15(W)x10(H) mm | SPST-NO | 10A/250VAC,10A/30VDC | DC12V | UL/CSA | G6C-1117P-US |
| 17200 | G6C-2117P-US-DC12V | OMRON | Subminiature Moving Loop Power PCB Relay | 20.07(L)x 14.99(W) x 9.91(H) mm | SPST-NO + SPST-NC | 8A/ 250Vac,8A/30Vdc | DC12V | CSA | G6C-2117P-US |
| 42789 | G6C-2117P-US-DC24V | OMRON | Subminiature Moving Loop Power PCB Relay | 20.07(L)x 14.99(W) x 9.91(H) mm | SPST-NO + SPST-NC | 8A/ 250Vac,8A/30Vdc | 24VDC | CSA | G6C-2117P-US |
| 36395 | G6C-2117P-US-DC5V | OMRON | Subminiature Moving Loop Power PCB Relay | 20.07(L)x 14.99(W) x 9.91(H) mm | SPST-NO + SPST-NC | 8A/ 250Vac,8A/30Vdc | 5VDC | CSA | G6C-2117P-US |



- Reduced board space ideal for high-density mounting (45% smaller than the surface area of G6B)
- Slim package: measures 6.5 W x 17.5 L x 12.5 H mm (0.26 x 0.69 x 0.49 in)
- Switches loads up to 5 A, 250 VAC/30 VDC
- Fully sealed construction allows automatic soldering and cleaning
- Long service life: up to 300,000 operations with a 2 A, 250 VAC/30 VDC load
- Rated for D150 pilot duty by UL, CSA
- Optional mounting socket simplifies relay installation and servicing of finished equipment



Life expectancy: Mechanical: 20 million operations min. (at operating frequency of 18,000 operations/hour)

Electrical: See "Characteristic Data"

Weight: Approx. 3 g (0.10 oz)

CHARACTERISTICS

Contact resistance: 100 mΩ max.
 Operate time: 10 ms max. (mean value: approx. 4.30 ms)
 Release time: 10 ms max. (mean value: approx. 5.50 ms)
 Bounce time: Operate: Mean value: approx. 1.20 ms
 Operating frequency: Mechanical: 18,000 operations/hour
 Electrical: 1,800 operations/hour (under rated load)
 Insulation resistance: 1,000 MΩ min. (at 500 VDC)
 Surge withstand voltage: 6,000 V, 1.20 x 50 μs between coil and contacts
 Vibration: Mechanical durability: 10 to 55 Hz, 1.50 mm (0.06 in) double amplitude for 2 hours
 Malfunction durability: 10 to 55 Hz, 1.50 mm (0.06 in) double amplitude for 5 minutes
 Shock: Mechanical durability: 1,000 m/s² (approx. 100 G)
 Malfunction durability: 100 m/s² (approx. 10 G)
 Ambient temperature: Operating: -25° to 70°C (-13° to 158°F)
 Humidity: 45% to 85% RH



T E L : Taiwan: 886-3-5753170
 F A X : Taiwan: 886-3-5753172
 E-mail : Taiwan: us_sale@100y.com.tw

Shenzhen: 86-755-83298787
 Shenzhen: 86-755-83640655
 Shenzhen: 100y@163.com

Shanghai: 86-21-54151736
 Shanghai: 86-21-64605107
 Shanghai: 100y-1@163.com