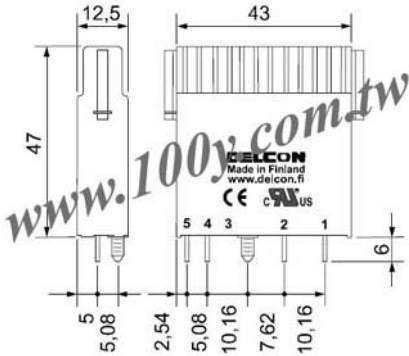




Relays & Solenoids

DELCON_Solid State Relay

Detailed product specifications are available on: us.100y.com.tw



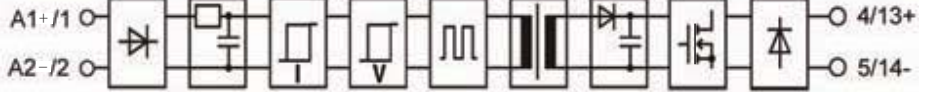
- Plug-in input relay for 110...125 VDC voltages
- 100 mA maximum load current
- 0...60 VDC load voltage
- Secondary is conducting without input signal (NC)
- Works without logic supply (4 pole)

- For PLC input signal conditioning
- Immune to disturbances on signal lines
- Shielded signal cabling not required
- CE (EMC and LVD tested)
- Integrated status LED

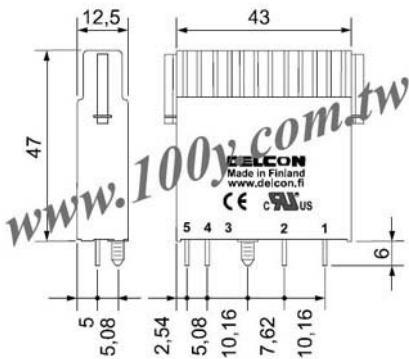
Temperature range:
 Storage: -40°C...+70°C
 Operation: -25°C...+70°C



Block diagram



Part No.	Product No.	Manufacturer	Description	Vrms
36916	SLI 125CRI	DELCON	Input Plug-in Relay 125 VDC, Normally Closed	110-125 VDC



- Plug-in input relay for 12 VDC voltage
- 50 mA maximum load current
- 0...60 VDC load voltage
- Switches up to 1 kHz signals
- Works without logic supply (4 pole)
- For PLC input signal conditioning

- Immune to disturbances on signal lines
- Shielded signal cabling not required
- cULus tested (UL and CSA)
- CE (EMC and LVD tested)
- Integrated status LED

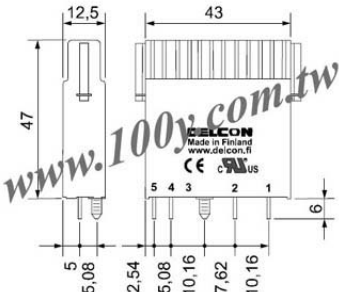
Temperature range:
 Storage: -40°C...+70°C
 Operation: -25°C...+70°C



Block diagram



Part No.	Product No.	Manufacturer	Description	Vrms
36918	SLI 12CR	DELCON	Input Plug-in Relay 12 VDC	12VDC

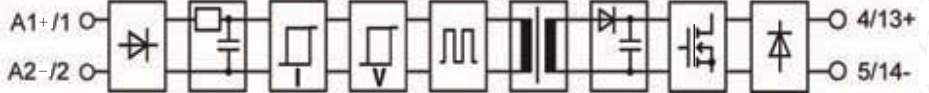


- Plug-in input relay for 12 VDC voltage
- 100 mA maximum load current
- 0...60 VDC load voltage
- Secondary is conducting without input signal (NC)
- Works without logic supply (4 pole)

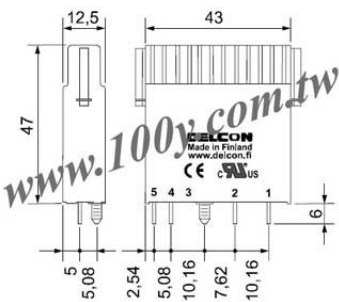
- For PLC input signal conditioning
- Immune to disturbances on signal lines
- Shielded signal cabling not required
- CE (EMC and LVD tested)
- Integrated status LED



Block diagram



Part No.	Product No.	Manufacturer	Description	Vrms
36922	SLI 12CRI	DELCON	Input Plug-in Relay 12 VDC, Normally Closed	12VDC

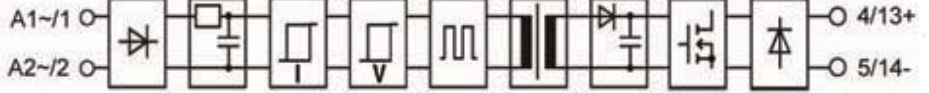


- Plug-in input relay for 220...240 VAC voltages
- 50 mA maximum load current
- 0...60 VDC load voltage
- Works without logic supply (4 pole)
- For PLC input signal conditioning

- Internal transient protection in input side
- Shielded signal cabling not required
- cULus tested (UL and CSA)
- CE (EMC and LVD tested)
- Integrated status LED



Block diagram



Part No.	Product No.	Manufacturer	Description	Vrms
36924	SLI 230CH	DELCON	Input Plug-in Relay 230VAC, Transient Protection	220-240VAC

