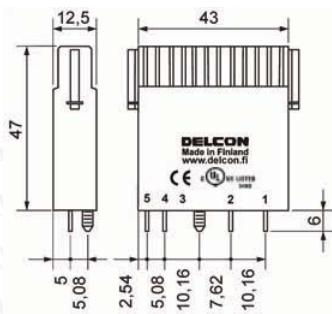




Relays & Solenoids

DELCON_Solid State Relay

Detailed product specifications are available on: us.100y.com.tw



DELCON

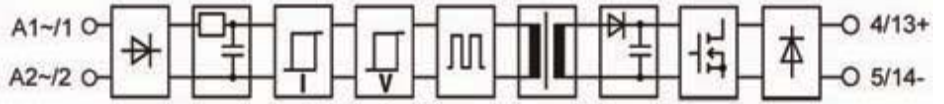
- Plug-in input relay for 110...120 VAC voltages
- 50 mA maximum load current
- 0...60 VDC load voltage
- Works without logic supply (4 pole)
- For PLC input signal conditioning

- Immune to disturbances on signal lines
- Shielded signal cabling not required
- cULus tested (UL and CSA)
- CE (EMC and LVD)
- Integrated status LED

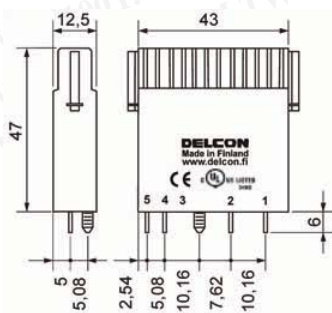
Temperature range:
 Storage: -40°C...+70°C
 Operation: -25°C...+70°C



Block diagram



Part No.	Product No.	Manufacturer	Description	Vrms
36902	SLI 120CR	DELCON	Input Plug-in Relay 120 VAC	120 VAC



DELCON

- Plug-in input relay for 110...120 VAC voltages
- 100 mA maximum load current
- 0...60 VDC load voltage
- Secondary is conducting without input signal (NC)
- For PLC input signal conditioning

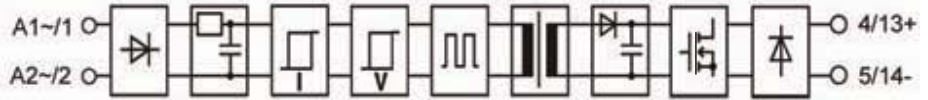
- Immune to disturbances on signal lines
- Shielded signal cabling not required
- cULus tested (UL and CSA)
- CE (EMC and LVD)
- Integrated status LED

Temperature range:
 Storage: -40°C...+70°C
 Operation: -25°C...+70°C

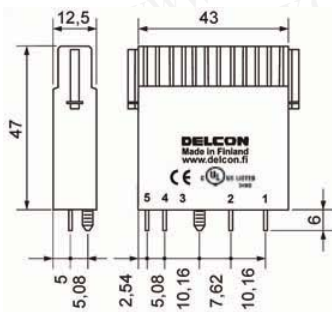


DELCON

Block diagram



Part No.	Product No.	Manufacturer	Description	Vrms
36905	SLI 120CRI	DELCON	Input Plug-in Relay 120 VAC, Normally Closed	110-120 VAC



DELCON

- Plug-in input relay for 110...125 VDC voltage
- 50 mA maximum load current
- 0...60 VDC load voltage
- Switches up to 500 Hz signals
- Works without logic supply (4 pole)
- For PLC input signal conditioning

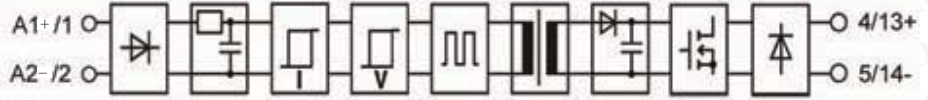
- Internal transient protection in input side
- Shielded signal cabling not required
- cULus tested (UL and CSA)
- CE (EMC and LVD)
- Integrated status LED

Temperature range:
 Storage: -40°C...+70°C
 Operation: -25°C...+70°C

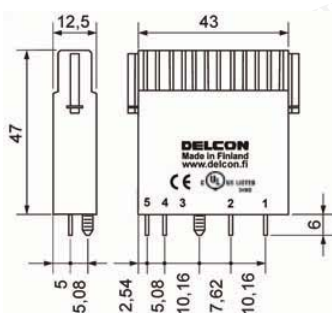


DELCON

Block diagram



Part No.	Product No.	Manufacturer	Description	Vrms
36909	SLI 125CH	DELCON	Input Plug-in Relay 125 VDC, Transient Protection	110V-125VDC



DELCON

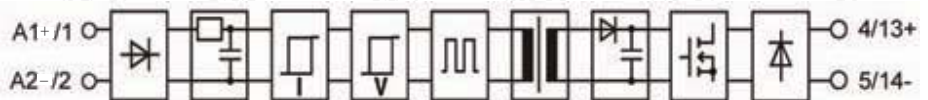
- Plug-in input relay for 110...125 VDC voltages
- 50 mA maximum load current
- 0...60 VDC load voltage
- Switches up to 500 Hz signals
- Works without logic supply (4 pole)
- For PLC input signal conditioning

- Immune to disturbances on signal lines
- Shielded signal cabling not required
- cULus tested (UL and CSA)
- CE (EMC and LVD)
- Integrated status LED

Temperature range:
 Storage: -40°C...+70°C
 Operation: -25°C...+70°C



Block diagram



Part No.	Product No.	Manufacturer	Description	Vrms
36910	SLI 125CR	DELCON	Input Plug-in Relay 125 VDC	110V-125VDC

