



# Relays & Solenoids

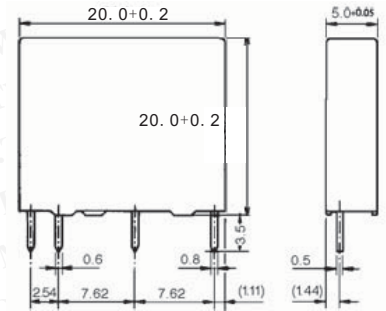
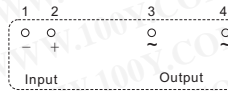
## Plug-In Interface DC To AC Solid State Relays

Detailed product specifications are available on: [us.100y.com.tw](http://us.100y.com.tw)



### FEATURES

- Conforms to UL,CSA standards
- Ultra slim and light weight,SIL terminals type
  - Size:5.0(W)× 20.0(L)× 17.0(H)mm
  - Weight: approximately 4.0g
- High reliability,long life and maintenance free
- High isolation(between input and output)
  - Dielectric strength:2,500Vrms
- Internal zero cross circuit type available
- RoHS compliant since date code:6522



### SPECIFICATIONS

Item	AC 2.0 A (no zero cross)	Remarks	
INPUT SIDE	Nominal Voltage(DC)	3V,5V,12V,24V	
	Operate Range	±20% of nominal voltage	
	Must Operate Voltage	80% of nominal voltage	
	Must Release Voltage	Minimum 1VDC	
	Input Impedance	3VDC TYPE: 130Ω    12VDC TYPE: 1.0kΩ 5VDC TYPE: 330Ω    24VDC Type: 2.2kΩ	±10%
OUTPUT SIDE	Load Voltage Range	AC 24 to 265Vrms	
	Maximum Load Current	2.0Arms	see CHARACTERISTIC DATA
	Minimum Load Current	10mArms	
	1 Cycle Surge Current	50A(60Hz1cycle)	
	Max.Off-State Leakage Current	1.0mArms	(at 100Vrms 60Hz)
		2.0mArms	(at 200Vrms 60Hz)
Max.On-State Voltage Drop	1.3Vrms	at maximum load current	
Maximum Operate Time	1ms		
Maximum Release Time	½ cycle+1ms max.		
Insulation Resistance	Minimum 1,000MΩ (at 500VDC)	for input-output	
Dielectric Strength	2,500Vrms 1 minute	for input-output	
Operating Temperature Range	-30°C to +85°C		
Storage Temperature Range	-40°C to +100°C		
Case Color	Black		
Weight	5.1g		

Part No.	Product No.	Manufacturer	Description	Vin	Irms	Vrms	Switching Type
46581	SE-5A02VF	TAKAMISAWA	DC-AC SSR	5VDC	2A	24~265VAC	NO ZERO CROSS



### DC to AC SSR

Part No.	Product No.	Description	Vin	Irms	Vrms	Switching Type
11901	SSR-PCB-DAC-2A	DC to AC SSR	3~24Vdc	2A	24~280Vac	No ZERO-CROSS
11900	SSR-PCB-DAC-4A	DC to AC SSR	3~24Vdc	4A	24~280Vac	No ZERO-CROSS

## Plug-In Interface DC To DC Solid State Relays

Detailed product specifications are available on: [us.100y.com.tw](http://us.100y.com.tw)

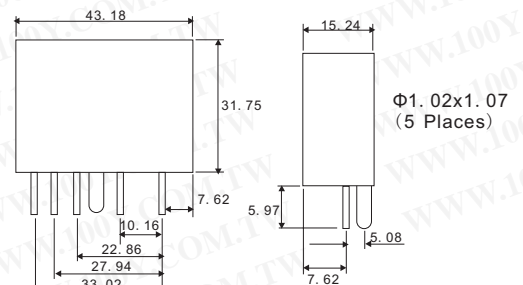


### FEATURES

- Fast switching polarized input types
- UL, CSA, CE, TÜV Certified (TUV not available on openline®)
- Optical isolation
- Openline® and G5 Modules have built-in status LED

### SPECIFICATIONS

Maximum input voltage	32Vdc
Maximum turn-on time	0.20 mSec
Maximum turn-off time	0.40 mSec
Nominal input resistance (Rx)	1.8K Ω
Nominal logic voltage (Vcc)	5Vdc



Output modules have only terminals 1-4

